



ASSEMBLING & INSTALLATION INSTRUCTIONS

The drawing shown may not exactly match the product enclosed.
However, the installation instructions do apply to this product.

5041

- ◆ **WARNING! SHUT POWER OFF AT FUSE OR CIRCUIT BREAKER.**
- ◆ **ATTENTION! COUPER LE COURANT AU FUSIBLE OU UN DISJONCTEUR.**

ASSEMBLING THE FIXTURE (Fig.2, See the Page 2)

1. Thread the pipe nipple (F) into bottom center of the hooks frame (E), raise the lower lamp holder(I) to bottom center of the pipe nipple (F), by turning it clockwise until tight. Place the socket sleeve(H) onto the lamp holder.
2. Hanging the end of arms (G) to the frame's hook and the glass's hook.
3. Install the light bulbs(not included) in accordance with the fixture's specifications.

NOTE: DO NOT EXCEED THE SPECIFIED WATTAGE!

* If you not need assembly the fixture loop, Please pause and refer to Fig. 2.1.

1. Take out the bottom loop of the canopy(A) and take the loop of lamp body, then take the canopy(A) to the lamp body, lock it with the lock washer and hex nut until tight. Attach the lamp body to the ceiling, lock it securely with the ball nuts(B).

HANGING THE FIXTURE (Fig.1)

1. Shut off the power at the circuit breaker and remove old fixture from ceiling, including the old single bar. Carefully unpack new fixture and lay all the parts on a clear surface.
2. Attach the mounting screw part way into the side hole of the single bar, then lock it securely with hex nut until becoming. Attach the single bar to the junction box using two box screws as shown. **The side of the single bar marked "GND" must face out.**
3. Using proper chain pliers to open one end link of the chain(C) provided and connect to the fixture loop. Close the link. By measuring, determine correct number of links needed for proper hanging height. Using proper chain pliers disconnect and discard remaining chain. Lace the fixture wires through the chain.
4. Open the other end link of the chain and hang the fixture on the loop at the ceiling. Close the link. Feed the fixture wires through the loop of the canopy and pull until taut.

CONNECTING THE WIRES (Fig.3)

1. Take the black wire from the ceiling junction box and the smooth wire leg from the fixture and twist bare ends together. Twist wire connector onto end of wire until snug.
2. Repeat same process with white junction box wire and ribbed wire leg of fixture wire. NOTE: Twist wires together in the same direction you twist the wire connector onto wires.
3. If your junction box has a grounding wire (green or bare copper), attach this wire and the bare copper wire from the fixture together as step 1.If junction box has no ground wire, attach the bare copper fixture wire to the green ground screw on the single bar.
4. Tuck these wire connections neatly into the ceiling junction box and then raise the canopy(A) all the way to the ceiling, lock it securely with ball nuts(B).

Your installation is now complete. Return power to the junction box and test the fixture.

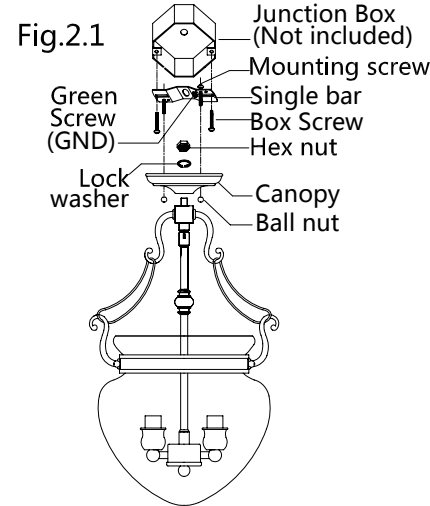
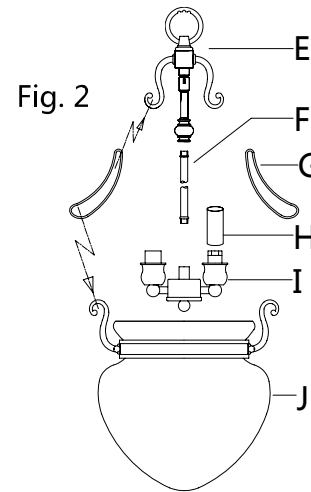


Fig.1

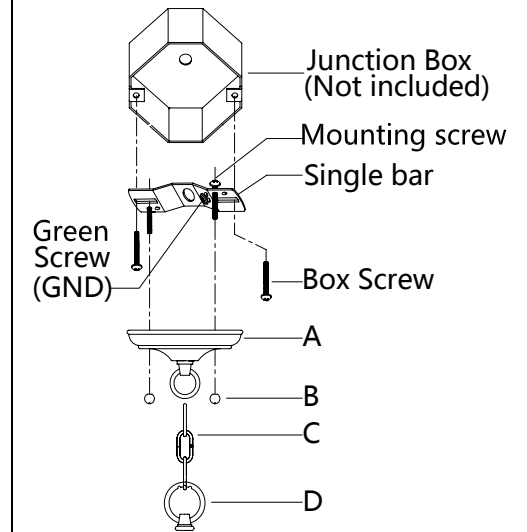
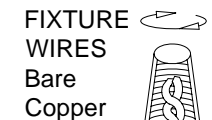
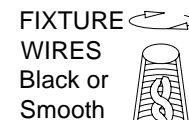


FIG.3



HOUSE WIRES
Black(Hot)

HOUSE WIRES
White
(Neutral)

HOUSE WIRES
Green or Bare
Copper(Ground)

Thank you for purchasing a **LIVEX** product.
Need assistance with parts or assembly? Please call customer service at: **800-761-8056**
Or visit us on-line at: WWW.LIVEXLIGHTING.COM