

# BHUTAN WS83218

WALL

PROJECT

## DESCRIPTION

Round or square plated or painted steel frame and wall plate. Rectilinear opal glass diffuser. Outward emitting wall light. Custom options available.



WS83218-BK  
Black



WS83218-BG  
Brushed Gold

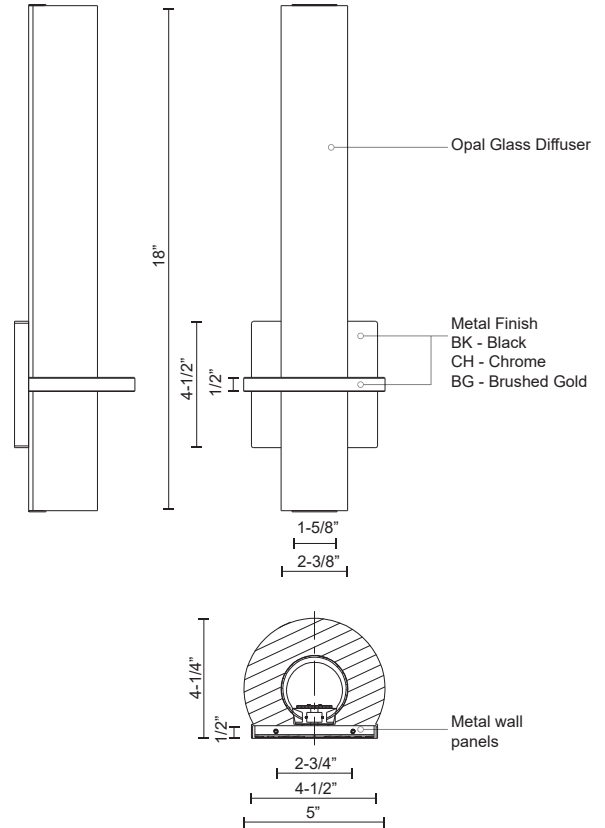


WS83218-CH  
Chrome

## SPECIFICATION DETAILS

\* For custom options, consult factory for details.

<b>Fixture Dimensions</b>	W5" x H18" x E4-1/4"
<b>Light Source</b>	AC LED Module
<b>Wattage</b>	16W
<b>Total Lumens</b>	1200lm
<b>Delivered Lumens</b>	CH-1126lm
<b>Voltage</b>	120V
<b>Color Temperature</b>	3000K
<b>CRI (Ra)</b>	90CRI
<b>Optional Color Temps</b>	2700K - 5000K Available, Minimum Order Quantities Apply
<b>LED Rated Life</b>	50,000 hours
<b>Dimming</b>	100% - 10%, ELV Dimmer (Not Included)
<b>Glass Details</b>	Opal Glass
<b>Location</b>	Dry
<b>Warranty</b>	5 Years
<b>Mounting Style</b>	All Orientation; Wall;
<b>Canopy Dimensions</b>	W4-1/2"x H4-1/2"x E1/2"
<b>Compliance</b>	Energy Star; T24-JA8;
<b>CEC Title 24 JA8</b>	Yes, JA8-19
<b>Energy Star Certified</b>	Energy Star Compliant



# KUZCO

19054 28TH AVENUE  
SURREY - BC V3Z 6M3  
CANADA

WWW.KUZCOLIGHTING.COM

COMMENT

