

# MITER TL25517

## LAMPS

PROJECT



TL25517-BN  
Brushed Nickel



TL25517-BK  
Black



TL25517-WH  
White



TL25517-GD  
Gold

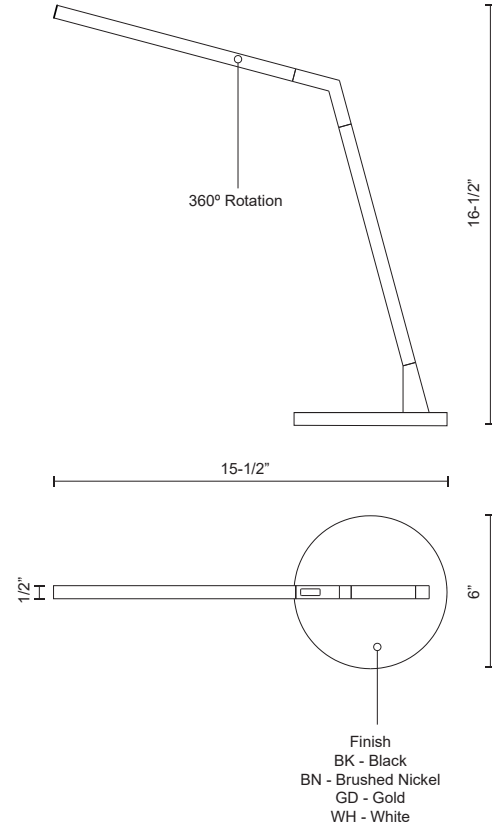
### SPECIFICATION DETAILS

\* For custom options, consult factory for details.

<b>Fixture Dimensions</b>	L15-1/2" x W6" x H16-1/2"
<b>Light Source</b>	LED with DC Driver
<b>Wattage</b>	14W
<b>Total Lumens</b>	1080lm
<b>Delivered Lumens</b>	BK-296lm*; BN-522lm; GD-432lm*; WH-532lm;
<b>Voltage</b>	120V
<b>Color Temperature</b>	3000K
<b>CRI (Ra)</b>	90CRI
<b>Optional Color Temps</b>	2700K - 5000K Available, Minimum Order Quantities Apply
<b>LED Rated Life</b>	50,000 hours
<b>Dimming</b>	100% - 10%, Touch dimmer
<b>Diffuser Details</b>	White Acrylic Diffuser
<b>Location</b>	Dry
<b>Warranty</b>	5 Years

### DESCRIPTION

A thin angular line forms the gesture synonymous with the MITER floor and table lamp series. Employed within the top arm of the diminutive square profile is a linear LED source capped by an inset opal diffuser providing uniform soft illumination. The precisely machined aluminum body conceals further functionality with simple power connectors to enable easy assembly and added rotational adjustment. A handsome circular dimmer adorns the structure. Available in multiple finishes.



# KUZCO

19054 28TH AVENUE  
SURREY - BC V3Z 6M3  
CANADA

WWW.KUZCOLIGHTING.COM

COMMENT