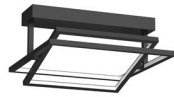


**MONDRIAN**  
**SF16316**  
 FLUSH MOUNT

PROJECT



**DESCRIPTION**

Mondrian series is composed from numerous rectilinear frames of light. The illuminated borders surrounding an open central void create an illusion of levitation. The airy design and negative space allow the fixture to visually blend into the environment. High-quality finish and simple forms coalesce in the elegant new product.



SF16316-BN  
 Brushed Nickel

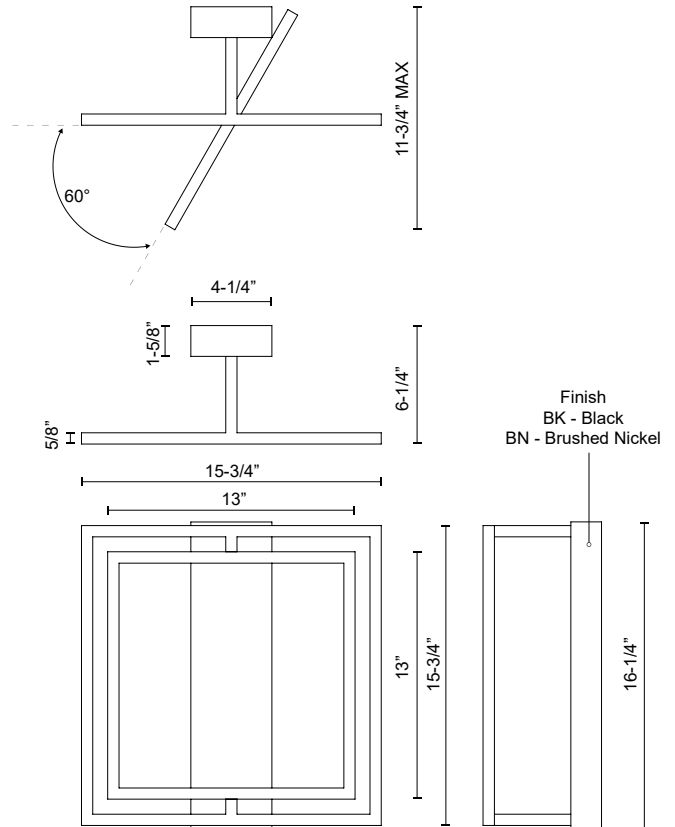


SF16316-BK  
 Black

**SPECIFICATION DETAILS**

\* For custom options, consult factory for details.

<b>Fixture Dimensions</b>	L15-3/4" x W15-3/4" x H6-1/4"
<b>Light Source</b>	LED with DC Driver
<b>Wattage</b>	47W
<b>Total Lumens</b>	3995lm
<b>Delivered Lumens</b>	1645lm*
<b>Voltage</b>	120V
<b>Color Temperature</b>	3000K
<b>CRI (Ra)</b>	90CRI
<b>Optional Color Temps</b>	2700K - 5000K Available, Minimum Order Quantities Apply
<b>LED Rated Life</b>	50,000 hours
<b>Dimming</b>	100% - 10%, TRIAC or ELV Dimmer (Not Included)
<b>Diffuser Details</b>	Frosted acrylic diffuser
<b>Location</b>	Dry
<b>Warranty</b>	5 Years
<b>Mounting Style</b>	All Orientation; Ceiling and Wall;
<b>Canopy Dimensions</b>	L16-1/4" x W4-1/4" x H1-5/8"



**KUZCO**

19054 28TH AVENUE  
 SURREY - BC V3Z 6M3  
 CANADA

WWW.KUZCOLIGHTING.COM

COMMENT

