

LED Picture Light

PL18217
INSTALLATION SHEET

START FROM HERE

- Make sure **POWER** is **COMPLETELY OFF** at the fuse box
- Have your fixture installed by a qualified licensed electrician
- Prepare everything in a clear area
- Wear gloves at all time during this installation
- Read instructions carefully before you start assembly
- Keep this installation sheet for future reference

Please Note:

- This Kuzco LED fixture comes with pre-wired LED module(s)
- Unless instructed, Do Not touch any part of the LED module(s) as any unnecessary contact with the module could cause permanent damage
- Use ELV (Electronic Low Voltage) or TRIAC type of dimmer for dimming application
- 120V input
- Retain install sheet and suction cup (**3b**) after installation for servicing

Technical Support: 1-855-855-8926

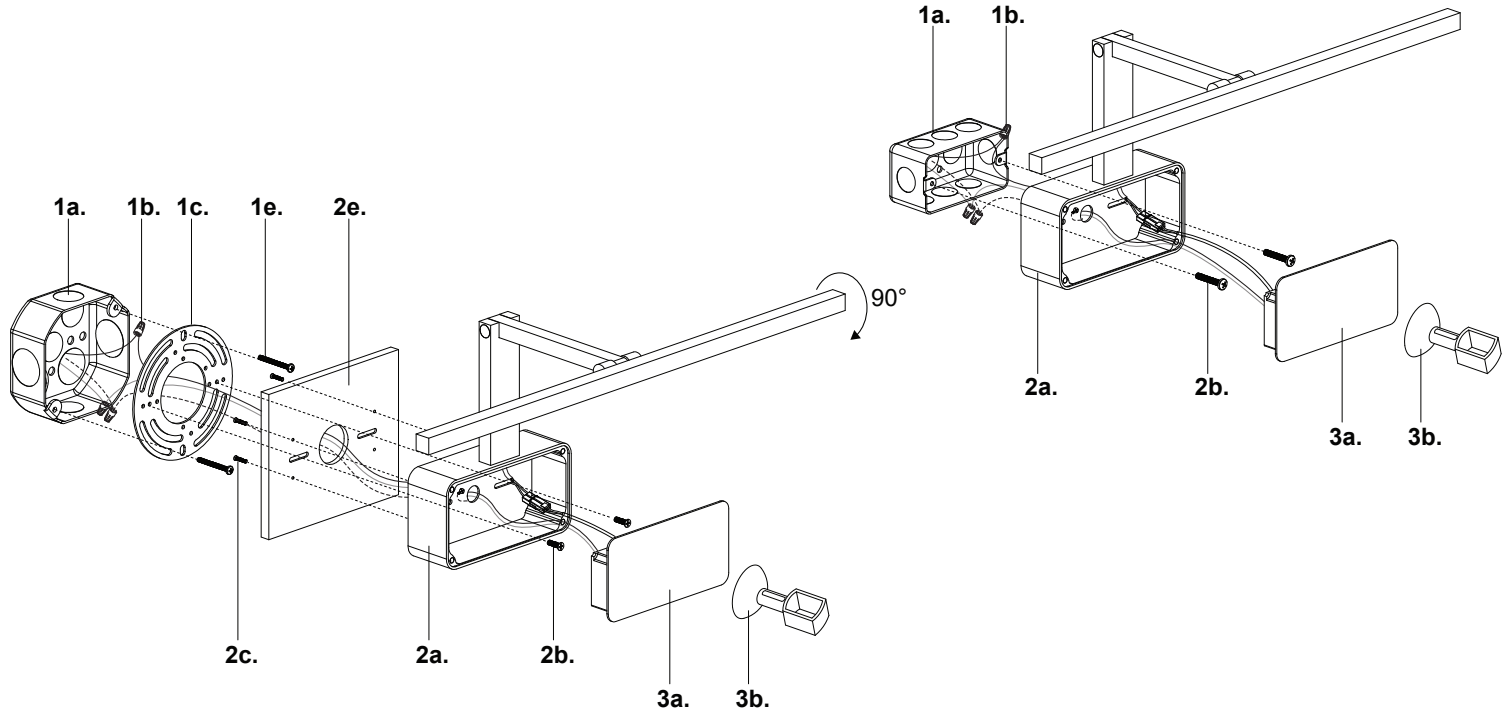
Octagon Junction Box Install

1. Remove the fixture from its original packaging. Use suction cup (**3b**) to remove front face plate (**3a**) to access the inside of canopy (**2a**). Attach the cover plate (**2e**) to the canopy (**2a**) with cover plate screws (**2c**)
2. Secure the universal mounting plate (**1c**) to the electrical junction box (**1a**) with junction box screws (**1e**) provided in the hardware package
3. Make proper electrical connections (**black to hot "L"**, **white to neutral "N"**, **ground to "GND"**) with wire nuts (**1b**) provided in hardware package
4. Install the cover plate (**2e**) and canopy (**2a**) assembly to the universal mounting plate (**1c**) with screws (**2b**)
5. Attach front face plate (**3a**) to magnets on canopy (**2a**) to close

Single Gang Box Install

1. Remove the fixture from its original packaging. Use suction cup (**3b**) to remove front face plate (**3a**) to access the inside of canopy (**2a**)
2. Make proper electrical connections (**black to hot "L"**, **white to neutral "N"**, **ground to "GND"**) with wire nuts (**1b**) provided in hardware package
3. Attach canopy (**2a**) to the electrical junction box (**1a**) with screws (**2b**)
4. Attach front face plate (**3a**) to magnets on canopy (**2a**) to close

Note: Universal mounting plate (1c) is not needed for single gang box installation



KUZCO

19054 28th Avenue Surrey, BC Canada V3Z 6M3
T: 604 538 7162 TF: 1-855 85 KUZCO F: 604 538 7196
W: kuzcolighting.com
20210531