

PD61242

SPECIFICATION SHEET

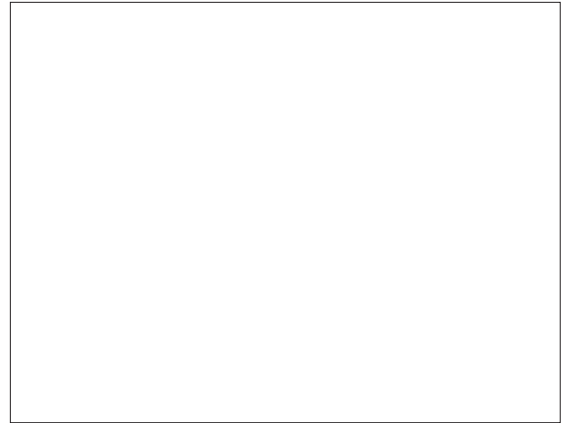
| | | |
|---------|--|------|
| PROJECT | | |
| DATE | | TYPE |

Sophisticated LED technology meets pendants with industrial flair

- Braided coax low voltage wire
- Powder coated extruded aluminum with polymeric diffuser
- Powder coated formed steel canopy
- Custom options available

| | |
|------------|--------------|
| Color Temp | 3000K |
| CRI (Ra) | >90 |
| Dimming | 100% - 10% |
| Rated Life | 50,000 hours |

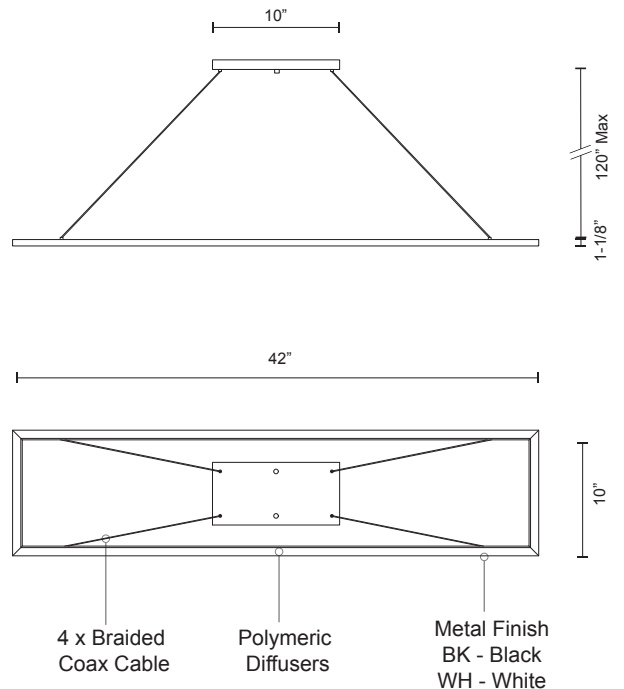
| Voltage | Watt | LED Lumens | Delivered Lumens | Finish(es) |
|---------|------|------------|------------------|------------|
| 120V | 43W* | 5160lm* | | BK - Black |
| 120V | 43W* | 5160lm* | | WH - White |



* Preliminary figures



PD61242-BK



PD61242-WH