

# LED Linear Pendant

**LP53237**  
INSTALLATION SHEET

## START FROM HERE

- Make sure **POWER** is **COMPLETELY OFF** at the fuse box
- Have your fixture installed by a qualified licensed electrician
- Prepare everything in a clear area
- Wear gloves at all time during this installation
- Read instructions carefully before you start assembly
- Keep this installation sheet for future reference

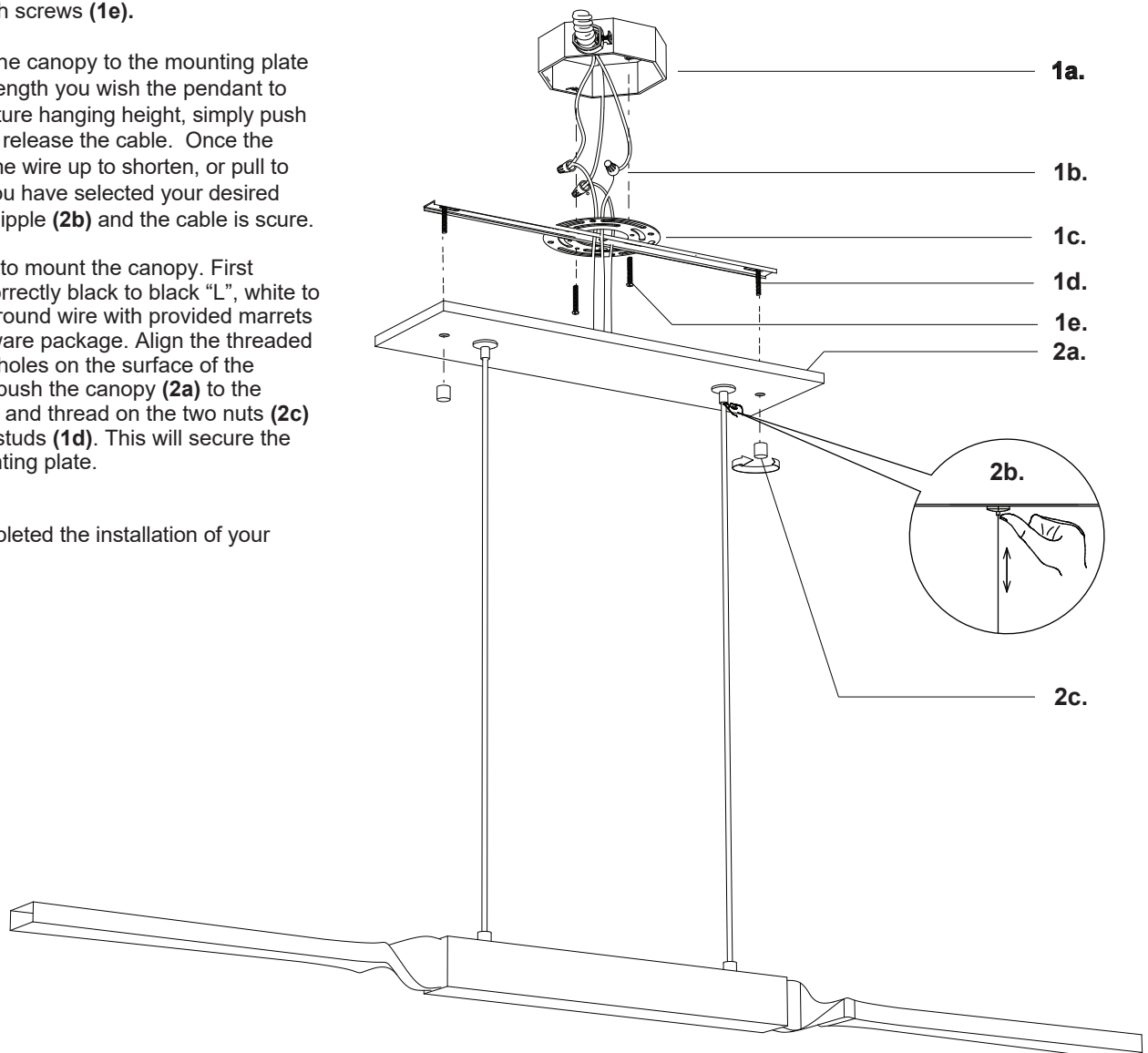
**Technical Support:** 1-855-855-8926

## Please Note:

- All Kuzco LED fixtures come with pre-wired LED module(s).
- Unless instructed to do so, please do not touch any part of the LED module(s) as any unnecessary contact with the module could cause permanent damage.
- For dimming, an ELV (Electronic Low Voltage) type of dimmer is required.

**CAUTION: HEAVY FIXTURE, THE JUNCTION BOX NEEDS TO BE REINFORCED BEFORE INSTALLATION.**

- 1.** Remove the fixture from its original packaging. Next, remove the mounting plate **(1c)** from within the canopy **(2a)** by un-threading the two nuts **(2c)**. Center the mounting plate **(1c)** to the junction box **(1a)** and secure with screws **(1e)**.
- 2.** Before you mount the canopy to the mounting plate select the desired length you wish the pendant to hang. To set the fixture hanging height, simply push the nipple **(2b)** in to release the cable. Once the cable is free push the wire up to shorten, or pull to lengthen. When you have selected your desired length release the nipple **(2b)** and the cable is secure.
- 3.** You are now ready to mount the canopy. First connect all wires correctly black to black "L", white to white "N" and the ground wire with provided marrets **(1b)** from the hardware package. Align the threaded studs **(1d)** with the holes on the surface of the canopy **(2a)**. Next, push the canopy **(2a)** to the mounting plate **(1c)** and thread on the two nuts **(2c)** on to the threaded studs **(1d)**. This will secure the canopy to the mounting plate.
- 4.** You have now completed the installation of your fixture, enjoy.



**KUZCO**

19054 28th Avenue Surrey, BC Canada V3Z 6M3  
T: 604 538 7162 TF: 1-855 85 KUZCO F: 604 538 7196  
W: kuzcolighting.com  
20181127