

Ceiling LED Pendant

FM93820
INSTALLATION SHEET

START FROM HERE

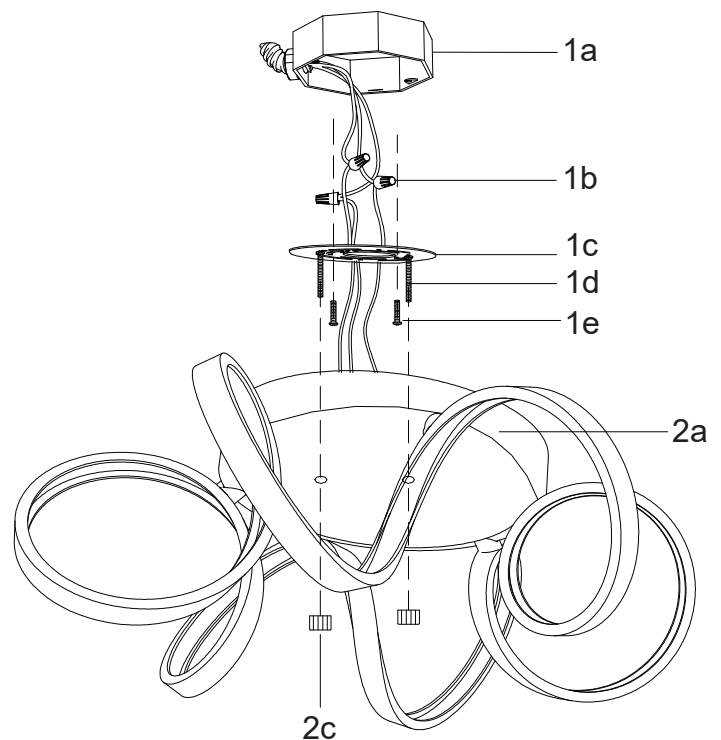
- Make sure **POWER** is **COMPLETELY OFF** at the fuse box
- Have your fixture installed by a qualified licensed electrician
- Prepare everything in a clear area
- Wear gloves at all time during this installation
- Read instructions carefully before you start assembly
- Keep this installation sheet for future reference

Technical Support: 1-855-855-8926

Please Note:

- For dimming, a TRIAC type of dimmer is required.

- 1.** Remove the fixture from its original packaging and remove the mounting crossbar (**1c**) from within the hardware package. Attach the mounting crossbar (**1c**) to the electrical junction box (**1a**) on the ceiling using the two screws (**1e**) provided in the hardware package.
- 2.** You are now ready to mount the canopy (**2a**) to the mounting crossbar (**1c**). First connect all wires (**1b**) correctly with the provided marrettes (white to white "N", black to black "L", ground to ground "G"). Align the threaded studs of the mounting plate through the holes on the back of the fixture (**2a**) and screw in the two nuts (**2c**) onto the threaded studs (**1d**), this will secure the canopy (**2a**) to the mounting crossbar (**1c**).
- 3.** You have now completed the installation of your fixture, enjoy.



KUZCO

19054 28th Avenue Surrey, BC Canada V3Z 6M3
T: 604 538 7162 TF: 1-855 85 KUZCO F: 604 538 7196
W: kuzcolighting.com
20181127