

LED Flush Mount

FM51216

INSTALLATION SHEET

START FROM HERE

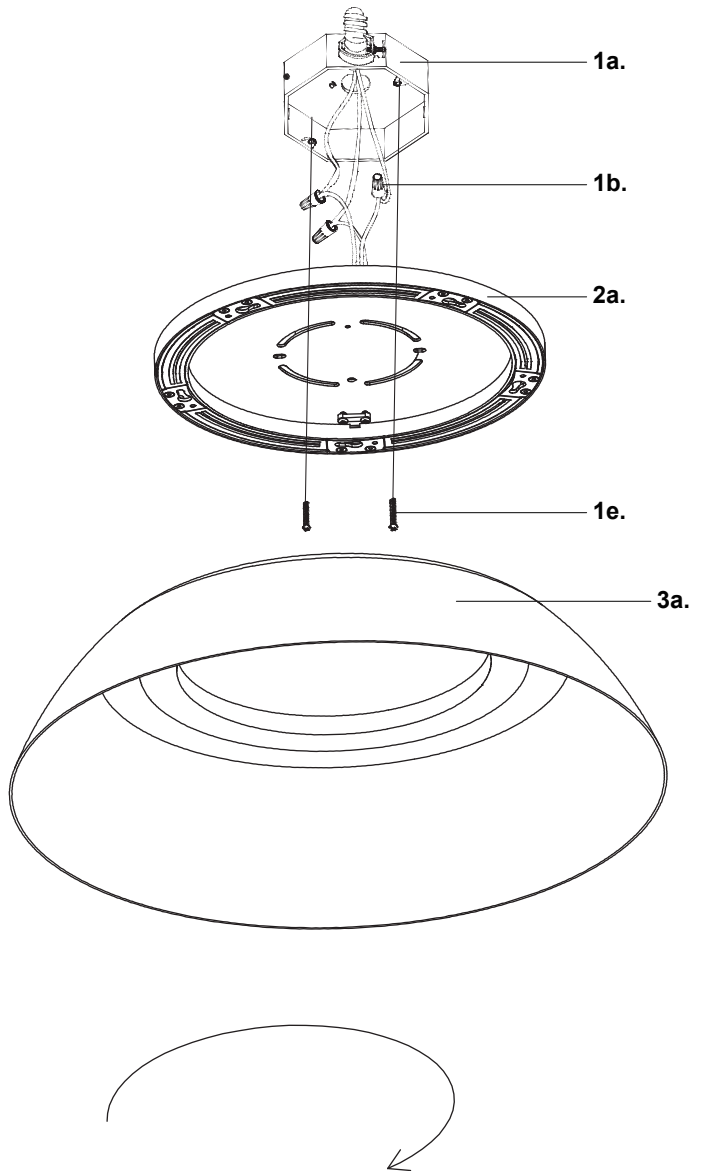
- Make sure power is completely off at the fuse box.
- Have your fixture installed by a qualified licensed electrician
- Prepare everything in a clear area.
- Wear gloves at all times during this installation.
- Read instructions carefully before you start assembly.
- Keep this instruction sheet for future reference.

Technical Support: 1-855-855-8926

Please Note:

- This Kuzco LED fixture comes with pre-wired LED module(s).
- Unless instructed to do so, please do not touch any part of the LED module(s) as any unnecessary contact with the module could cause permanent damage.
- For dimming, an ELV (Electronic Low Voltage) or TRIAC type of dimmer is required.
- 120V input

- 1.** Remove fixture from its original package
- 2.** Make proper electrical connections (black to hot "L", white to neutral "N", ground to "GND") with wire nuts **(1b)** provided in hardware package
- 3.** Attach fixture mounting plate **(2a)** to electrical junction box **(1a)** using screws provided **(1e)** in hardware package
- 4.** Align, insert mounting hardware on back of shade **(3a)** onto fixture mounting plate **(2a)**, rotate clockwise slightly to secure shade



KUZCO

19054 28th Avenue Surrey, BC Canada V3Z 6M3
T: 604 538 7162 TF: 1-855 85 KUZCO F: 604 538 7196
W: kuzcolighting.com
20220101