

LED Flush Mount

START FROM HERE

- Make sure **POWER** is **COMPLETELY OFF** at the fuse box
- Have your fixture installed by a qualified licensed electrician
- Prepare everything in a clear area
- Wear gloves at all time during this installation
- Read instructions carefully before you start assembly
- Keep this installation sheet for future reference

Technical Support: 1-855-855-8926

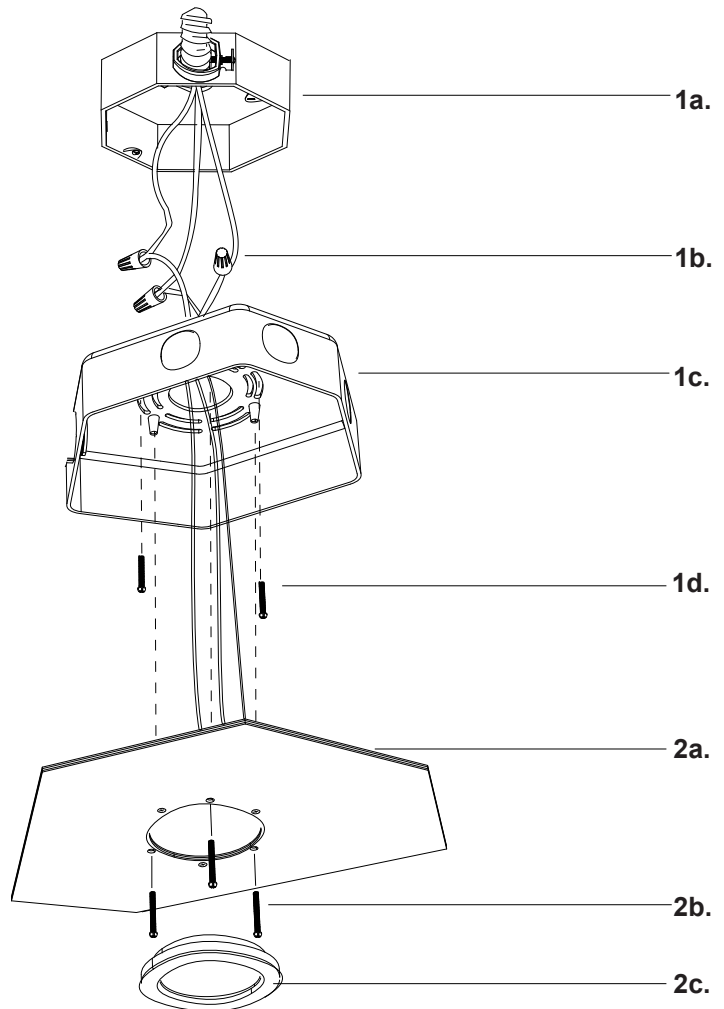
Please Note:

- All Kuzco LED fixtures come with pre-wired LED module(s).
- Unless instructed to do so, please do not touch any part of the LED module(s) as any unnecessary contact with the module could cause permanent damage.
- For dimming, an ELV (Electronic Low Voltage) type of dimmer is required.

Note: Conduits for multiple flush mount connection not included.

There are two methods for installation, direct from a junction box **page 01** or in series **page 02**.

- 1.** If you're connecting direct to a junction box Remove the fixture from its original packaging. Next, remove the mounting box (1c) from within the canopy (2a) by un-threading the glass cover (2c) and removing the three screws (2b). Secure the mounting box (1c) to the junction box (1a) using screws (1d) provided in the hardware package.
- 2.** Connect all wires correctly black to black "L", white to white "N" and the ground wire with provided marettes (1b) from the hardware package. Attach the canopy (2a) to the mounting box (1c) by using the three screws (2b) provided.
- 3.** Once this is complete, thread the glass cover (2c) to the canopy.
- 4.** You have now completed the installation of your fixture, enjoy.



KUZCO

19054 28th Avenue Surrey, BC Canada V3Z 6M3
T: 604 538 7162 TF: 1-855 85 KUZCO F: 604 538 7196
W: kuzcolighting.com
20181127

LED Flush Mount

START FROM HERE

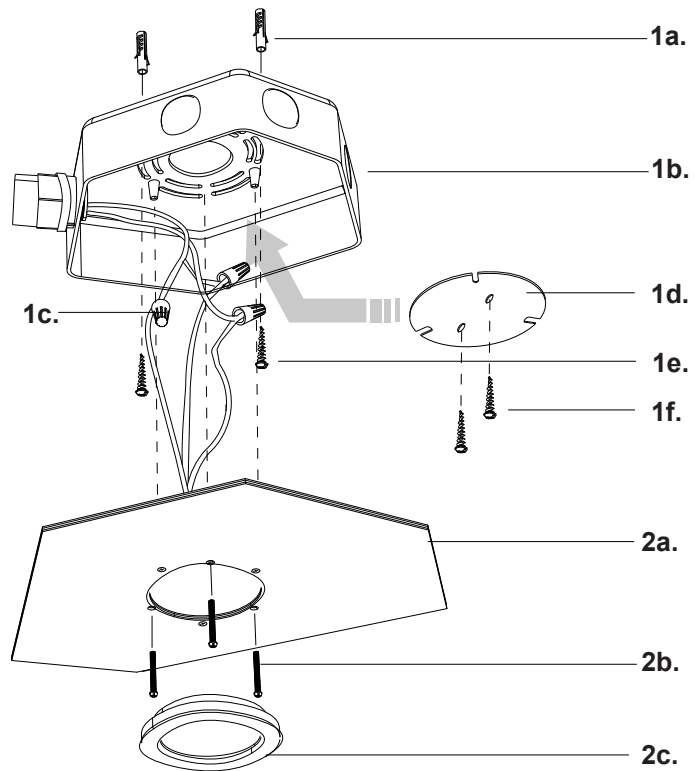
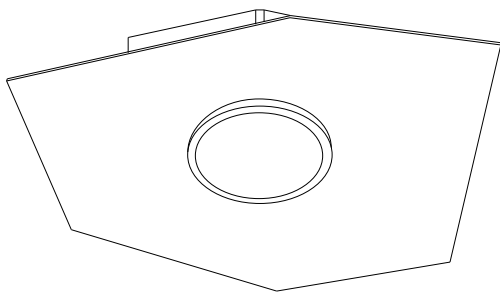
- Make sure **POWER** is **COMPLETELY OFF** at the fuse box
- Have your fixture installed by a qualified licensed electrician
- Prepare everything in a clear area
- Wear gloves at all time during this installation
- Read instructions carefully before you start assembly
- Keep this installation sheet for future reference

Technical Support: 1-855-855-8926

Please Note:

- All Kuzco LED fixtures come with pre-wired LED module(s).
- Unless instructed to do so, please do not touch any part of the LED module(s) as any unnecessary contact with the module could cause permanent damage.
- For dimming, an ELV (Electronic Low Voltage) type of dimmer is required.

Note: Conduits for multiple flush mount connection not included.



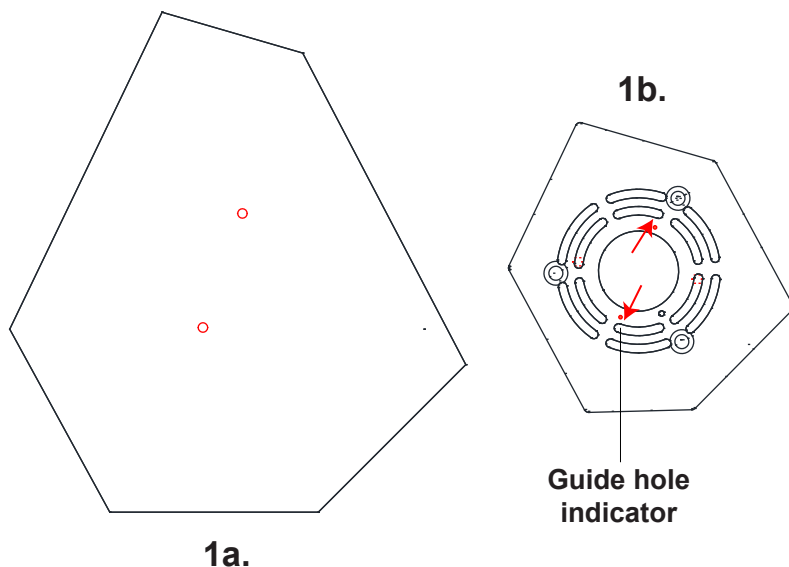
There are two methods for installation, direct from a junction box **page 01** or in series **page 02**.

- 1.** If you're connecting in series, remove the fixture from its original packaging. Next, remove the mounting box (1b) from within the canopy (2a) by un-threading the glass cover (2c) and removing the three screws (2b). Secure the mounting box (1b) to the wall or ceiling using the wood screws (1e) and plastic anchors (1a) provided in the hardware package. Attach the firestop plate (1d) to the mounting box (1b) by using the two longer screws (1f). Screw in straight from the box to the wall or ceiling.
- 2.** Connect all wires correctly black to black "L", white to white "N" and the ground wire with provided wire nips (1c) from the hardware package. Attach the canopy (2a) to the mounting box (1b) by using the three screws (2b) provided.
- 3.** Once this is complete, thread the glass cover (2c) to the canopy.
- 4.** You have now completed the installation of your fixture, enjoy.

KUZCO

19054 28th Avenue Surrey, BC Canada V3Z 6M3
T: 604 538 7162 TF: 1-855 85 KUZCO F: 604 538 7196
W: kuzcolighting.com
20181127

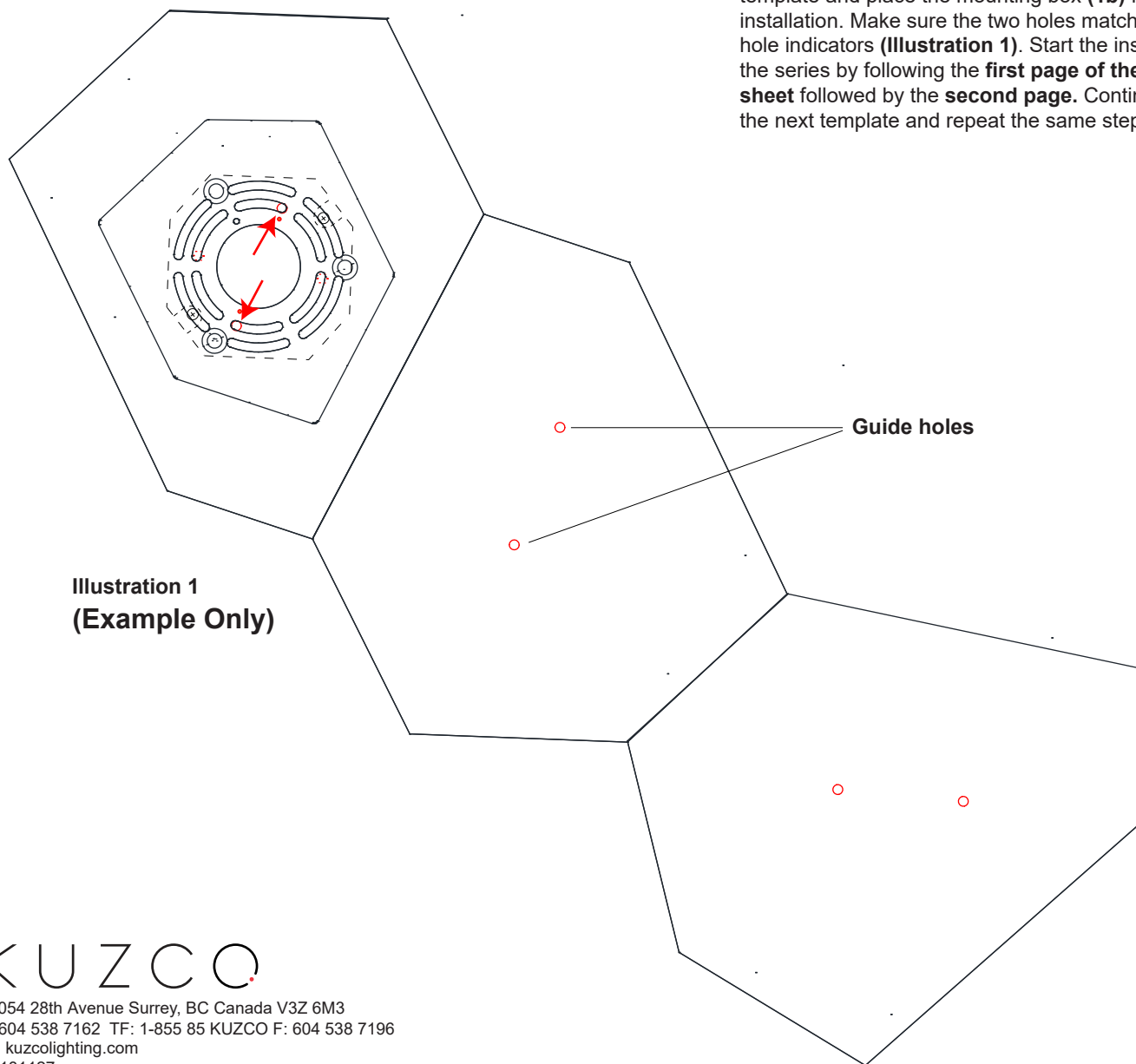
LED Flush Mount Template Instructions



Conduits for multiple flush mount connection not included.

The templates are highly recommended if you are connecting in a series.

1. Use the template (1a) provided within the hardware package to accurately navigate where to create your guide holes according to your pattern.
2. First, install the mounting box to the main wire source connected to the the junction box. (**Note: There is no need to drill guide holes for the template with the electrical junction box**)
3. Layout your next template (1a) and mark two guide holes for mounting installations.
4. Remove the template (1a). Drill the guide holes of the template and place the mounting box (1b) for installation. Make sure the two holes match with the hole indicators (**Illustration 1**). Start the installation of the series by following the **first page of the installation sheet** followed by the **second page**. Continue to layout the next template and repeat the same steps.



**Illustration 1
(Example Only)**

KUZCO

19054 28th Avenue Surrey, BC Canada V3Z 6M3
T: 604 538 7162 TF: 1-855 85 KUZCO F: 604 538 7196
W: kuzcolighting.com
20181127