

Exterior LED Lamp Wall Sconce

EW6108
INSTALLATION SHEET

START FROM HERE

- Make sure **POWER** is **COMPLETELY OFF** at the fuse box
- Have your fixture installed by a qualified licensed electrician
- Prepare everything in a clear area
- Wear gloves at all time during this installation
- Read instructions carefully before you start assembly
- Keep this installation sheet for future reference

Please Note:

- All Kuzco LED fixtures come with pre-wired LED module(s).
- Unless instructed to do so, please do not touch any part of the LED module(s) as any unnecessary contact with the module could cause permanent damage.
- For dimming, an ELV (Electronic Low Voltage) type of dimmer is required.

Technical Support: 1-855-855-8926

- 1.** Remove the fixture from its original packaging. Remove the mounting plate **(1b)** from the canopy plate **(2a)**. First by unscrewing the 4 set screws **(2d)** and 2 screws **(2b)**. Attach the mounting plate **(1b)** to the electrical junction box **(1a)**, using the two screws **(1c)** provided in the hardware package.
- 2.** Attach the canopy backplate **(2a)** to the mounting plate **(1b)**, which is attached to the electrical junction box **(1a)**. First attach all wiring with the provided wire nuts **(1d)** (white to white "N", black to black "L", ground to ground "G"). Now secure the canopy backplate **(2a)** onto the mounting plate **(1b)** using the two screws **(2b)**. With the canopy backplate seated on the mounting plate, secure the fixture **(2c)** with the 4 set screws **(2d)** provided in the package.
- 3.** To prevent moisture from entering the outlet box and causing a short, seal around the top and side perimeter between the fixture and the wall surface with weather resistant caulking **(see illustration 1)**. The space at bottom should be left un-caulked to prevent moisture build-up.
- 4.** You have now completed the installation of your fixture, enjoy.

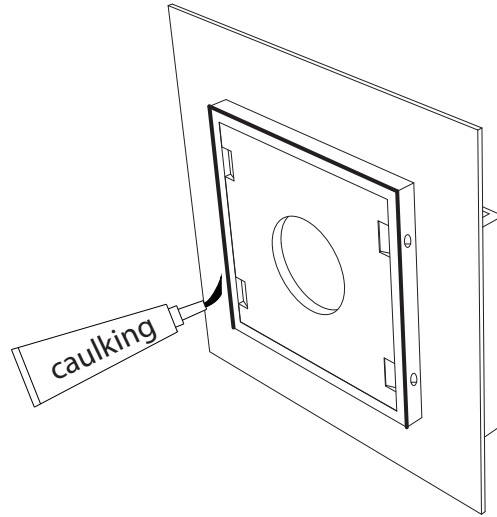
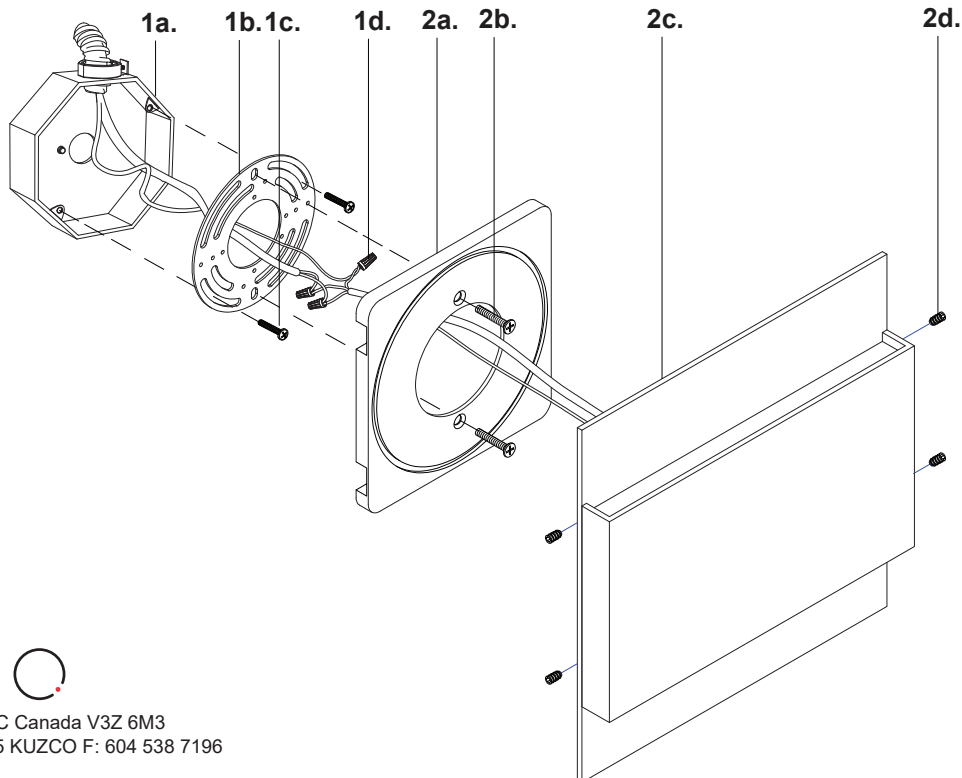


illustration 1



KUZCO

19054 28th Avenue Surrey, BC Canada V3Z 6M3
T: 604 538 7162 TF: 1-855 85 KUZCO F: 604 538 7196
W: kuzcolighting.com
20181127