

NORDIC EW3105

WALL

PROJECT



DESCRIPTION

High powered LED exterior single light wall mount fixture, die-cast aluminum housing molded into a cylinder shape with in powder coated black or gray finishes. Concealed inside is our 120V AC LED technology with a tempered glass diffuser radiating light either upward or downward depending how it is mounted on the wall. Certified ETL wet location listed and is available in different sizes and two light options.



EW3105-BK
Black

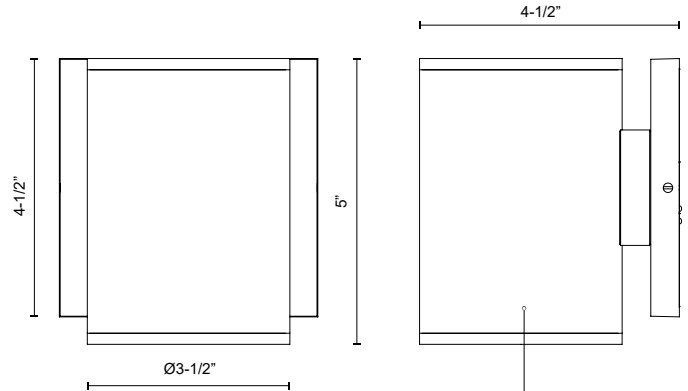


EW3105-GY
Gray

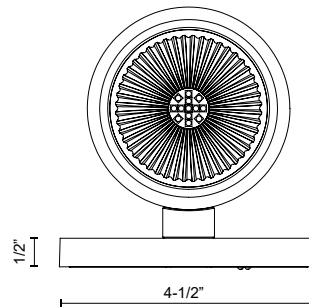
SPECIFICATION DETAILS

* For custom options, consult factory for details.

Fixture Dimensions	D3-1/2" x H5" x E4-1/2"
Light Source	AC LED Module
Wattage	10W
Total Lumens	850lm
Delivered Lumens	634lm
Voltage	120V
Color Temperature	3000K
CRI (Ra)	90CRI
Optional Color Temps	2700K - 5000K Available, Minimum Order Quantities Apply
LED Rated Life	50,000 hours
Dimming	100% - 10%, ELV Dimmer (Not Included)
Diffuser Details	Parabolic Aluminum Reflector
Glass Details	Clear Glass
Location	Wet
Illumination Direction	Downlight
Warranty	5 Years
Canopy Dimensions	W4-1/2" x H4-1/2" x E1/2"



Powder Coated Finish
BK - Black
GY - Gray



COMMENT

KUZCO

19054 28TH AVENUE
SURREY - BC V3Z 6M3
CANADA

WWW.KUZCOLIGHTING.COM

