

**NEWPORT  
ER7108-CBOX  
STEP LIGHTS**

PROJECT

**DESCRIPTION**

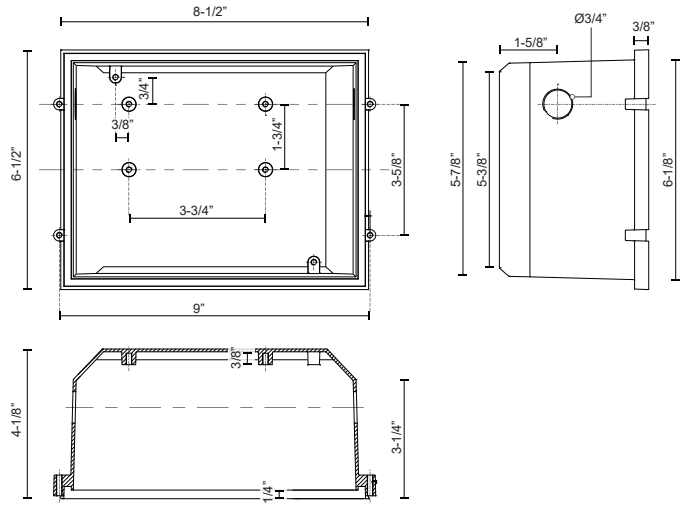
Die cast wet location back box compatible with the ER7108.



**SPECIFICATION DETAILS**

\* For custom options, consult factory for details.

<b>Fixture Dimensions</b>	W9" x H6-1/2" x E4-1/8"
<b>Location</b>	Wet
<b>Warranty</b>	5 Years



**KUZCO**

19054 28TH AVENUE  
SURREY - BC V3Z 6M3  
CANADA

WWW.KUZCOLIGHTING.COM

COMMENT

