

**DAVY  
EC17609  
CEILING**

PROJECT



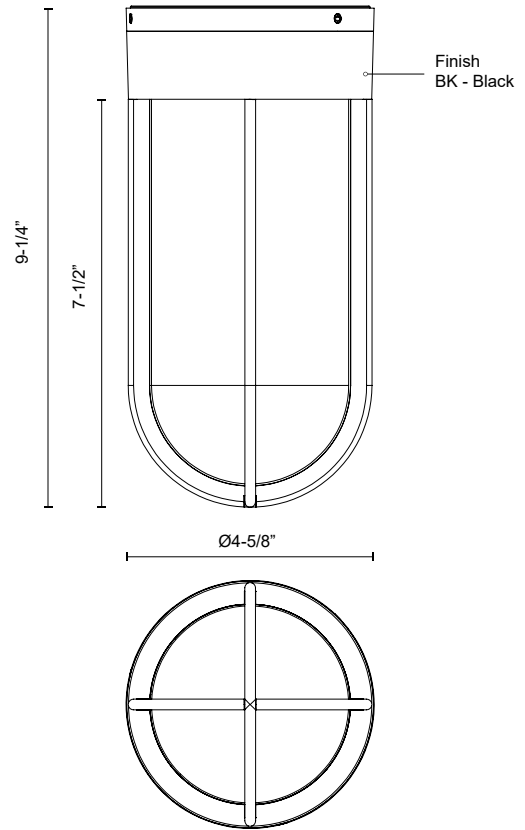
**DESCRIPTION**

With a unique rounded metal frame and interior glass shell, this collection adds modern style to any exterior. Its style is matched by its function, providing ample illumination for all outdoor lighting needs.

**SPECIFICATION DETAILS**

\* For custom options, consult factory for details.

|                             |   |
|-----------------------------|---|
| <b>Fixture Dimensions</b>   | D4-5/8" x H9-1/4"                                       |
| <b>Light Source</b>         | AC LED Module   |
| <b>Wattage</b>              | 15W   |
| <b>Total Lumens</b>         | 1200lm  |
| <b>Delivered Lumens</b>     | BK-602lm  |
| <b>Voltage</b>              | 120V  |
| <b>Color Temperature</b>    | 3000K   |
| <b>CRI (Ra)</b>             | 90CRI   |
| <b>Optional Color Temps</b> | 2700K - 5000K Available, Minimum Order Quantities Apply |
| <b>LED Rated Life</b>       | 50,000 hours  |
| <b>Dimming</b>              | 100% - 10%, ELV Dimmer (Not Included)                   |
| <b>Diffuser Details</b>     | Frosted PC Diffuser                                     |
| <b>Glass Details</b>        | Clear Water Glass                                       |
| <b>Location</b>             | Wet   |
| <b>Warranty</b>             | 5 Years   |
| <b>Finish Option(s)</b>     | Black   |



**KUZCO**

19054 28TH AVENUE  
SURREY - BC V3Z 6M3  
CANADA

WWW.KUZCOLIGHTING.COM

COMMENT

