

**KINGSBURY
EB48919**

BOLLARDS

PROJECT



EB48919-BK
Black

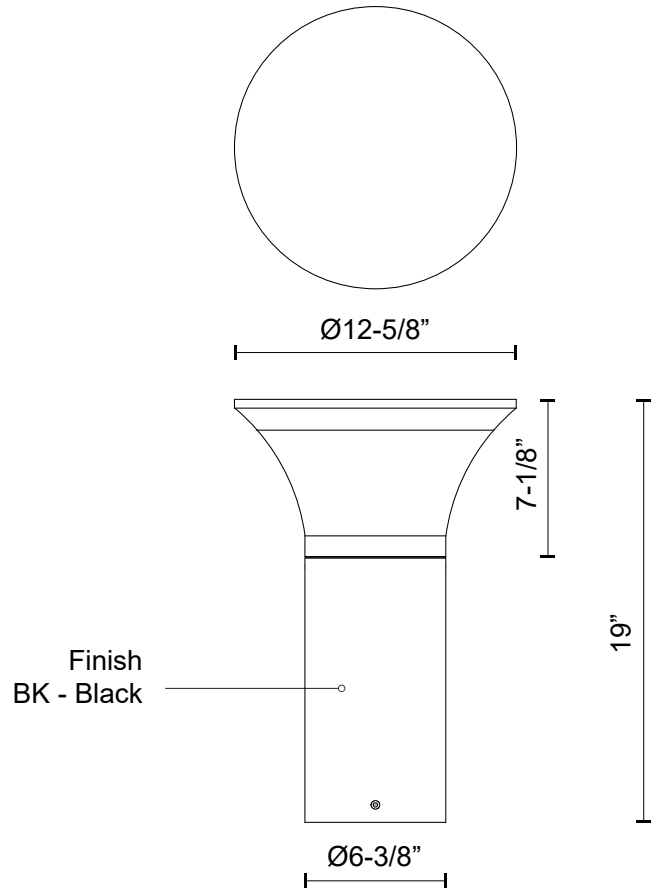
SPECIFICATION DETAILS

* For custom options, consult factory for details.

Fixture Dimensions	D12-5/8" x H19"
Light Source	LED with DC Driver
Wattage	24W
Total Lumens	2500lm
Delivered Lumens	1450lm*
Voltage	120-277V
Color Temperature	3000K
CRI (Ra)	80CRI
Optional Color Temps	2700K - 5000K Available, Minimum Order Quantities Apply
LED Rated Life	50,000 hours
Dimming	100% - 10%, TRIAC or ELV Dimmer (Not Included)
Diffuser Details	Clear PC
Location	Wet
Warranty	5 Years
Illumination Direction	Down

DESCRIPTION

Architecturally designed high-power LED exterior bollard fixture. This die-cast aluminum bollard with a clear polycarbonate diffuser delivers diffused omni directional light with three base sizes and interchangeable head options.



KUZCO

19054 28TH AVENUE
SURREY - BC V3Z 6M3
CANADA

WWW.KUZCOLIGHTING.COM

COMMENT

