

**MALTA**  
**51562**  
 FLUSH MOUNT

PROJECT

**DESCRIPTION**

Two lamp flush mount ceiling fixture with white opal glass and your choice of brushed nickel or chrome metal finish.



51562CH  
 Chrome

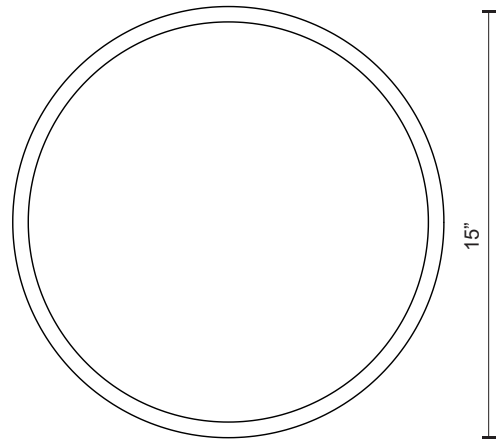
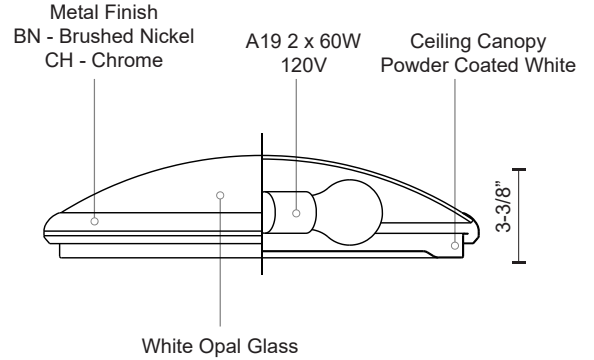


51562BN  
 Brushed Nickel

**SPECIFICATION DETAILS**

\* For custom options, consult factory for details.

<b>Fixture Dimensions</b>	D15" x H3-3/8"
<b>Lamp Type</b>	Incandescent, A19, Medium Base
<b>Wattage</b>	2 x 60W
<b>Voltage</b>	120V
<b>Glass Details</b>	Opal Glass
<b>Location</b>	Dry
<b>Bulbs Included</b>	No
<b>Warranty</b>	5 Years



COMMENT

**KUZCO**

19054 28TH AVENUE  
 SURREY - BC V3Z 6M3  
 CANADA

WWW.KUZCOLIGHTING.COM

