

# MILCA 494502L

## PENDANTS

PROJECT



### DESCRIPTION

Single lamp pendant with steel cylindrical shade embellished by stacked tubular slices. Primary color configurations include black, gray, brushed nickel or gold with a matching interior. Suspended by a black Teflon cable



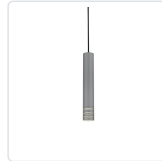
494502L-BN  
Brushed Nickel



494502L-BK  
Black



494502L-GD  
Gold

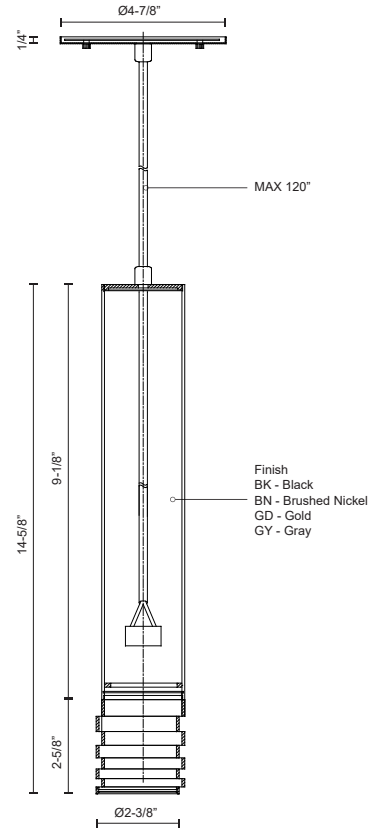


494502L-GY  
Gray

### SPECIFICATION DETAILS

\* For custom options, consult factory for details.

<b>Fixture Dimensions</b>	D2-3/8" x H14-5/8"
<b>Lamp Type</b>	Halogen, GU10
<b>Wattage</b>	1 x 50W
<b>Voltage</b>	120V
<b>Adjustable</b>	Yes
<b>Wire Length</b>	120" Max
<b>Wire Type</b>	Black SVT Cord
<b>Location</b>	Dry
<b>Bulbs Included</b>	No
<b>Warranty</b>	5 Years
<b>Canopy Dimensions</b>	D4-7/8" x H1/4"



# KUZCO

19054 28TH AVENUE  
SURREY - BC V3Z 6M3  
CANADA

WWW.KUZCOLIGHTING.COM

COMMENT

