

GUILDFORD
493624
 PENDANTS

PROJECT



DESCRIPTION

Single-lamp pendant with aluminum drum shade showcasing powder-coated finishes. Exterior shade colors are black or white, with matte white interior. Suspended by cloth cable.



493624-BK
Black

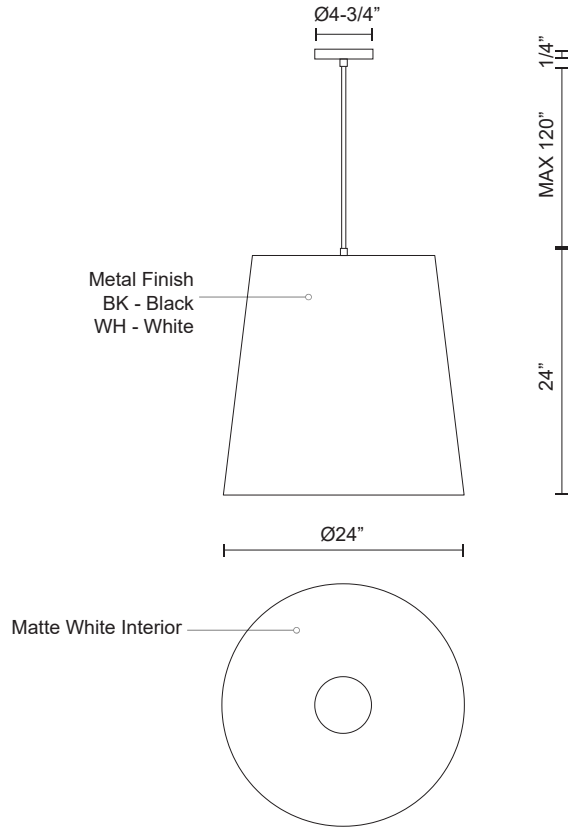


493624-WH
White

SPECIFICATION DETAILS

* For custom options, consult factory for details.

Fixture Dimensions	D24" x H24"
Lamp Type	Incandescent, Medium Base
Wattage	1 x 60W
Voltage	120V
Shade Details	Spun Aluminum Shade
Adjustable	Yes
Wire Length	120" Max
Wire Type	Color Matching SVT Cord
Location	Dry
Bulbs Included	No
Warranty	5 Years
Canopy Dimensions	D4-3/4" x H1/4"



KUZCO

19054 28TH AVENUE
 SURREY - BC V3Z 6M3
 CANADA

WWW.KUZCOLIGHTING.COM

COMMENT

