

# ARCHIBALD 492316

## PENDANTS

PROJECT



492316-BK/GD  
Black with Gold  
detail



492316-BN/BK  
Brushed Nickel with  
Black detail



492316-WH/GD  
White with Gold  
detail

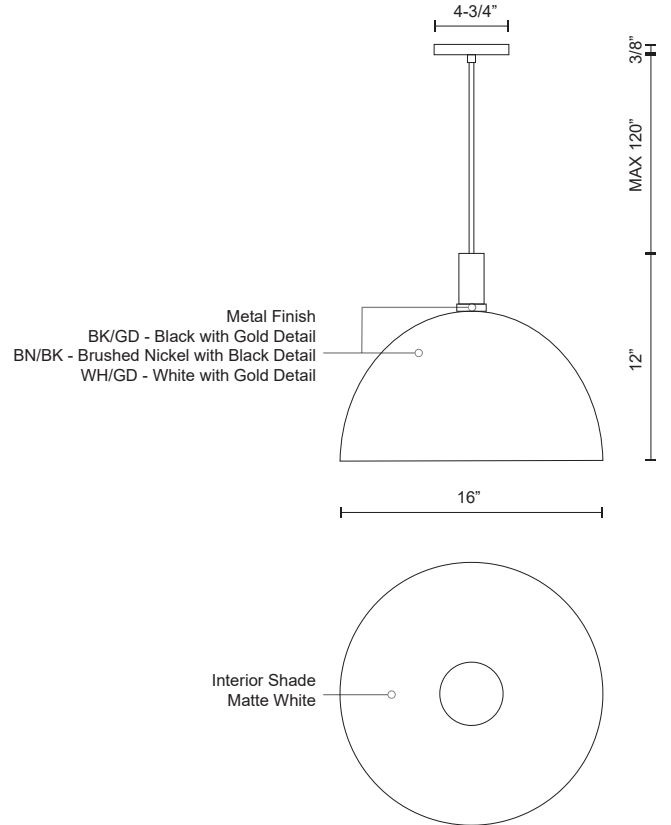
### SPECIFICATION DETAILS

\* For custom options, consult factory for details.

<b>Fixture Dimensions</b>	D16" x H12"
<b>Lamp Type</b>	Incandescent, Medium Base
<b>Wattage</b>	1 x 60W
<b>Voltage</b>	120V
<b>Shade Details</b>	Spun Aluminum Shade
<b>Adjustable</b>	Yes
<b>Wire Length</b>	120" Max
<b>Wire Type</b>	Color Matching SVT Cord
<b>Location</b>	Dry
<b>Bulbs Included</b>	No
<b>Warranty</b>	5 Years
<b>Canopy Dimensions</b>	D4-3/4" x H3/8"

### DESCRIPTION

Single-lamp pendant with aluminum dome shade showcasing powder-coated or plated finishes with metal details and a matte white interior. Exterior shade colors are black, brushed nickel, or white. Suspended by cloth cable. Available in three sizes.



# KUZCO

19054 28TH AVENUE  
SURREY - BC V3Z 6M3  
CANADA

WWW.KUZCOLIGHTING.COM

COMMENT

