

401432-LED

Specification Sheet

Pendant Lamp



CH - Chrome

Other Finishes:



BK - Black



BN - Brushed Nickel



WH - White

Product Descriptions

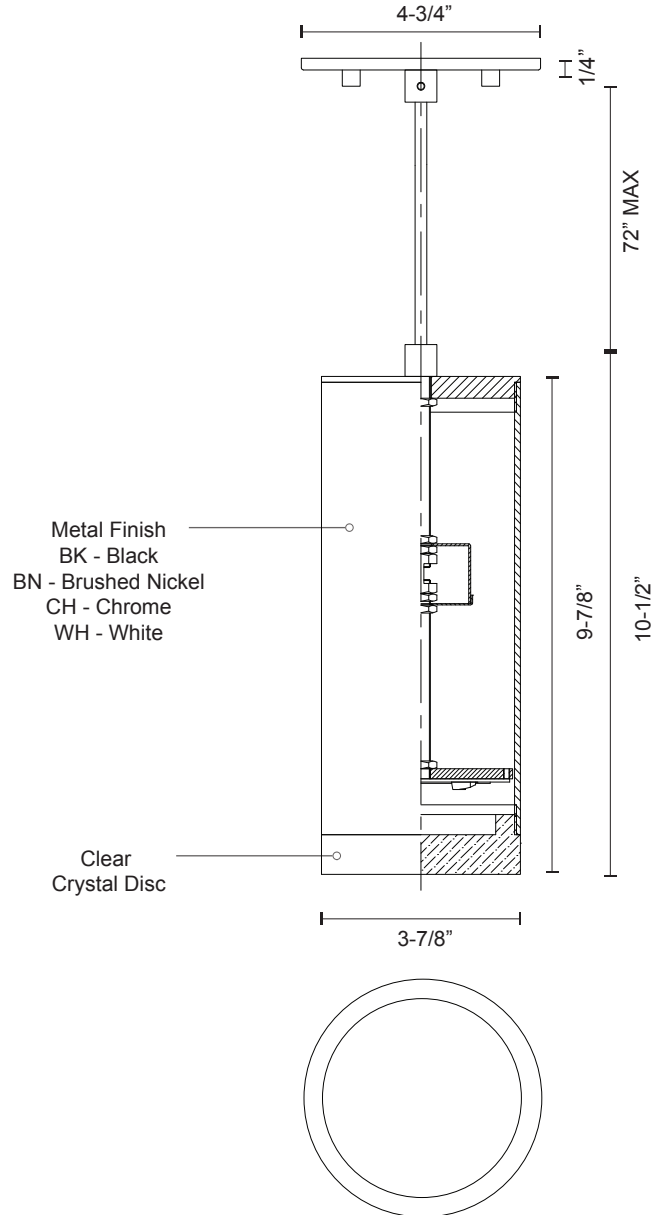
Single LED cylinder shaped pendant with clear crystal disc. Equipped with our powerful 120V AC LED technology, fully dimmable with metal details in white, black, brushed nickel or chrome finish. Round canopy matches the selected finish.

Product Details

- High system efficacy
- Low total life cycle cost
- No visible flicker AC operation
- ETL Listed
- 5-year LED and fixture warranty
- Complete warranty terms located at: www.kuzcolighting.com/warranty
- Utilizes our patented Driverless LED Light Engine technology - connects directly to AC, no external driver needed.
- 72" max wire length
- Dimmable with ELV dimmer (not included)
- Custom options available

PROJECT						
DATE		TYPE				
Voltage	Watt	LED Lumens	Delivered Lumens	Finish(es)	Color Temp 3000K	
120V	9.5W	800lm	370lm*	CH - Chrome	CRI (Ra	>90
120V	9.5W	800lm	370lm*	BN - Brushed Nickel	Dimming	100% - 10%
120V	9.5W	800lm	370lm*	BK - Black	Rated Life	50,000 hours
120V	9.5W	800lm	370lm*	WH - White		

*Preliminary figures



Comments:

Fixture Weight:

Canopy dimensions:

D: 4-3/4" H: 1/4"