

KICHLER®

52" True

Product images may vary slightly from actual product.



READ AND SAVE THESE INSTRUCTIONS

INSTRUCTION MANUAL
Model# 310452

TABLE OF CONTENTS

SAFETY RULES	3	INSTALLING THE FAN BLADES	14
TOOLS AND MATERIALS REQUIRED	5	INSTALLING THE DECORATIVE COVER	14
PACKAGE CONTENTS.....	5	INSTALLING THE COOLTOUCH™ WALL PLATE	15
MOUNTING OPTIONS.....	6	INSTALLING THE TRANSMITTER	15
HANGING THE FAN	7	OPERATING INSTRUCTIONS	16
INSTALLATION OF SAFETY CABLE	10	TROUBLESHOOTING.....	19
ELECTRICAL CONNECTIONS.....	10	FCC INFORMATION	21
FINISHING THE MOTOR INSTALLATION	13		

SAFETY RULES

READ AND SAVE THESE INSTRUCTIONS

WARNING: FOR CANADA, THIS FAN MUST BE SECURED DIRECTLY TO THE BUILDING STRUCTURE / CEILING JOIST. DON'T SECURE THIS FAN TO AN OUTLET BOX.

1. **CAUTION – RISK OF SHOCK:** Disconnect Power at the main circuit breaker panel or main fusebox before starting and during the installation.
2. **WARNING:** All wiring must be in accordance with the National Electrical Code “ANSI/NFPA 70” and local electrical codes. Electrical installation should be performed by a qualified licensed electrician.
3. **WARNING:** To reduce the risk of electric shock, this fan must be installed with a general-use, isolating wall control/switch.
4. **WARNING:** Not suitable for use with solid-state speed controls.
5. **WARNING:** To reduce the risk of fire, electric shock, or personal injury, mount to outlet box marked “acceptable for fan support of 15.9 kg (35 lbs.) or less” and use mounting screws provided with the outlet box. Most outlet boxes commonly used for the support of light fixtures are not acceptable for fan support and may need to be replaced. Due to the complexity of the installation of this fan, a qualified licensed electrician is strongly recommended.
6. The outlet box and support structure must be securely mounted and capable of reliably supporting a minimum of 15.9 kg (35 pounds). Use only cULus Listed outlet boxes marked “Acceptable for Fan Support of 15.9 kg (35 lbs) or less”.
7. The fan must be mounted with a minimum of 2.1 m (7 feet) clearance from the trailing edge of the blades to the floor.
8. To operate the reverse function on this fan, press the “Reverse” Button on the transmitter while fan is running.
9. Avoid placing objects in the path of the blades.
10. **WARNING:** make sure the power is disconnected before cleaning your fan.

SAFETY RULES (continued)

11. To avoid personal injury or damage to the fan and other items, be cautious when working around or cleaning the fan.
12. Do not use water or detergents when cleaning the fan or fan blades. A dry dust cloth or lightly dampened cloth will be suitable for most cleaning.
13. After making electrical connections, spliced conductors should be turned upward and pushed carefully up into outlet box. The wires should be spread apart with the grounded conductor and the equipment-grounding conductor on one side of the outlet box and the ungrounded conductor on the other side of the outlet box.
14. Electrical diagrams are reference only. Light kits that are not packed with the fan must be cULus Listed and marked suitable for use with the model fan you are installing. Switches must be cULus General Use Switches. Refer to the Instructions packaged with the light kits and switches for proper assembly.
15. All set screws must be checked, and retightened where necessary, before installation.

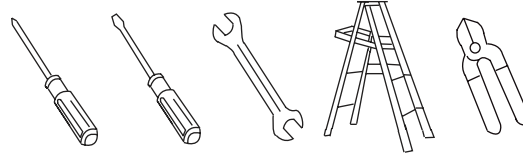
16. N.W. 7.82 KGS (17.24 LBS) / G.W. 8.75 KGS (19.29 LBS)

WARNING

TO REDUCE THE RISK OF PERSONAL INJURY, DO NOT BEND THE BLADE BRACKETS DURING ASSEMBLY OR AFTER INSTALLATION. DO NOT INSERT OBJECTS IN THE PATH OF THE BLADES.

TOOLS AND MATERIALS REQUIRED

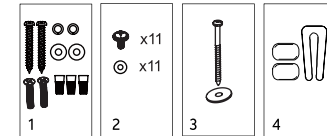
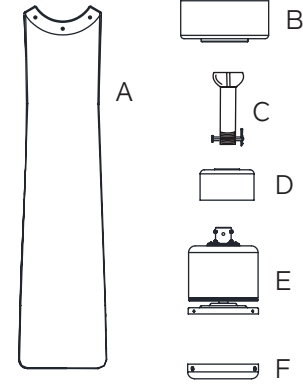
- Phillips Screwdriver
- Blade Screwdriver
- 11 mm Wrench
- Step Ladder
- Wire Cutters



PACKAGE CONTENTS

Unpack your fan and check the contents. You should have the following items:

- | | |
|---|--|
| <ul style="list-style-type: none"> A. Fan Blades (3) B. Canopy & Ceiling Mounting Bracket C. Ball/Downrod Assembly D. Coupling Cover E. Fan Motor Assembly F. Decorative Cover G. Receiver H. Transmitter (371075) and Wall Plate | <ul style="list-style-type: none"> I. Part Bag Contents <ul style="list-style-type: none"> 1) Mounting Hardware:
Flat Washers (2), Wood Screws (2)
Star Washers (2), Wire Nuts (3)
Screws (2) 2) Blade Attachment Hardware:
Blade Screws (11), Fiber Washers (11) 3) Safety Cable Hardware:
Wood Screw (1), Flat Washer (1) 4) Balance Kit |
|---|--|



MOUNTING OPTIONS

If there is not an existing UL (cUL for Canadian Installation) listed mounting box, then read the following instructions. Disconnect the power by removing fuses or turning off circuit breakers.

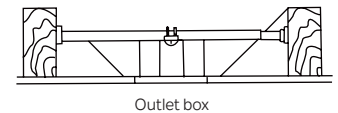
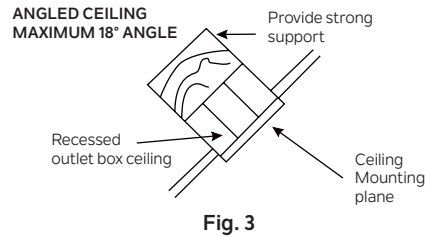
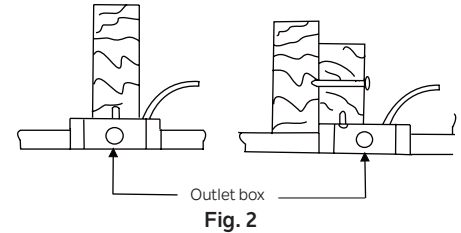
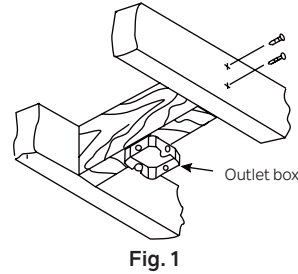
Secure the outlet box directly to the building structure. Use appropriate fasteners and building materials. The outlet box and its support must be able to fully support the full weight of the fan (up to 15.9kg (35 pounds)). Do not use plastic outlet boxes.

Figures 1, 2 and 3 are examples of different ways to mount the outlet box.

NOTE: If you are installing the ceiling fan on a sloped (vaulted) ceiling, you may need a longer downrod to maintain proper clearance between the tip of the blade and the ceiling. A minimum clearance of 12" is suggested for optimal operation.

NOTE: Depending on the location you have selected for installation, you may need to purchase and install a "Joist Hanger" for the support of the outlet box. Make sure the joist hanger you purchase has been designed for use with ceiling fans.

(Fig. 4)



HANGING THE FAN

CAUTION: To avoid possible electrical shock, be sure you have turned off the power at the main circuit panel.

REMEMBER to turn off the power before you begin installation. This is necessary for your safety.

WARNING: All set screws must be checked, and retightened where necessary, before installation.

To properly install your ceiling fan, follow the steps below.

Step 1. Remove the canopy trim ring from the canopy by turning the canopy trim ring counter clockwise. (Fig. 5)

Step 2. Remove the ceiling mounting bracket from the canopy by removing and saving one of the two screws. Loosen the remaining screw by a half turn. (Fig. 5)

Step 3. Pass the 120 volt supply wires from the ceiling outlet box through the center of the ceiling mounting bracket. (Fig. 6)

Step 4. Attach the ceiling mounting bracket to the outlet box using the screws and washers included with the outlet box. (Fig. 6)

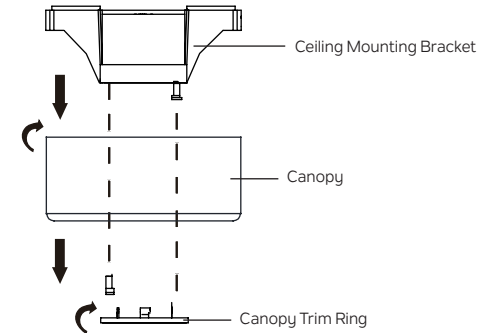


Fig. 5

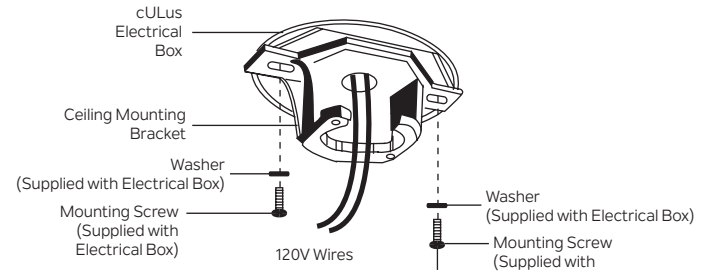


Fig. 6

HANGING THE FAN (continued)

WARNING: All set screws must be checked, and retightened where necessary, before installation.

Step 5. Remove the retaining clip and the hitch pin from the ball/downrod assembly. Remove the ball from the ball/downrod assembly by loosening the set screw (do not remove) on the ball, unscrewing and removing the cross pin, and unscrewing the ball from the downrod. (Fig. 7)

Step 6. Loosen the two set screws (do not remove) in the coupling on top of the motor. (Fig. 8)

Step 7. Carefully feed the wires from the coupling on top of the motor assembly up through the downrod. (Fig. 8)

Step 8. Thread the downrod into the coupling on top of the motor assembly until the hitch pin holes in the downrod and the hitch pin holes in the coupling are aligned. Carefully insert the hitch pin through the holes in the coupling and the downrod. (Fig. 8)

NOTE: Be careful not to jam the hitch pin against the wiring inside of the downrod.

Insert the retaining clip through the hole near the end of the hitch pin until it snaps into its locked position. (Fig. 8)

Step 9. Tighten the two set screws in the coupling on top of the motor assembly firmly. (Fig. 8)

Step 10. Carefully slip the coupling cover, canopy trim ring (smooth finished side facing motor body), and canopy onto the downrod. (Fig. 8)

Carefully thread the ball onto the downrod. Insert the cross pin through the ball and downrod and tighten. (Fig. 9)

NOTE: Be careful not to jam the cross pin against the wiring inside of the downrod.

Tighten the set screw on the ball. Make sure that the wires are not twisted. (Fig. 9)

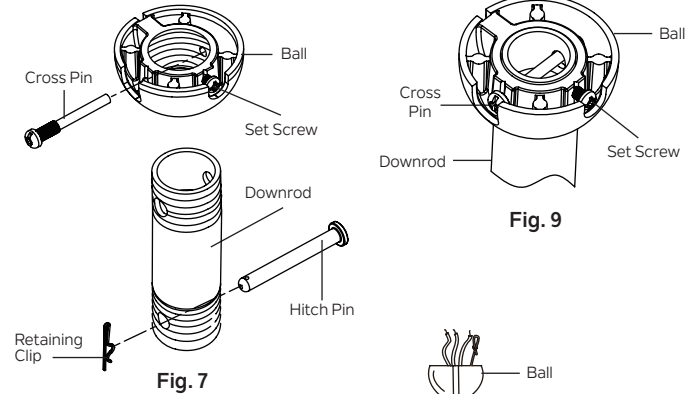


Fig. 7

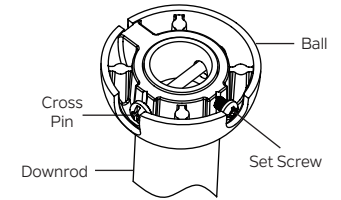


Fig. 9

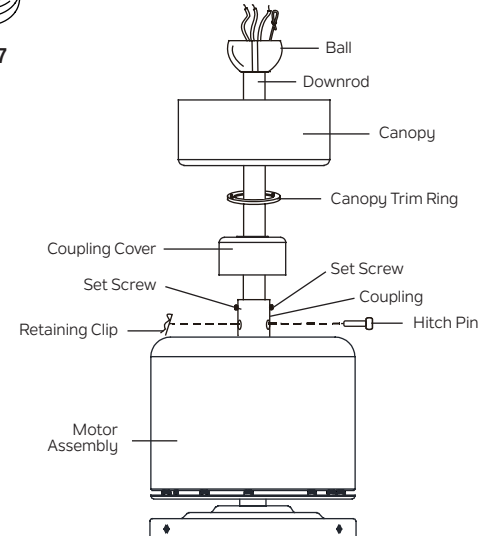


Fig. 8

HANGING THE FAN (continued)

Step 11. Lift the motor assembly into position and place the hanger ball into the ceiling mounting bracket. Rotate the entire assembly until the “Check Tab” has dropped into the “Registration Slot” and seats firmly. **(Fig. 10)**

The entire motor assembly should not rotate (left or right) when seated properly.

WARNING: Failure to reattach the cross pin and seat the “Check Tab” can cause the fan to fall from the ceiling during operation. Take special care to make sure this pin is reattached.

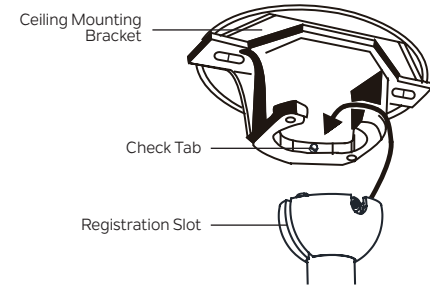


Fig. 10

INSTALLATION OF SAFETY Cable (required for Canadian installation ONLY)

A safety support cable is provided to help prevent the ceiling fan from falling, please install it as follows.

Step 1. Attach the wood screw and washer to the ceiling joist next to the ceiling mounting bracket but do not tighten. **(Fig. 11)**

Step 2. Adjust the length of the safety cable to reach the screw and washer by pulling the extra cable through the cable clamp until the overall length is correct, put the end of the cable back through the cable clamp, forming a loop at the end of the cable. Tighten the cable clamp securely. Now, put the loop in the end of the safety cable over the wood screw and under the washer. Tighten the wood screw securely.

NOTE: Although the safety support cable is required for Canadian installations only, it's a good idea to make the attachment with any installation.

ELECTRICAL CONNECTIONS

CAUTION: To avoid possible electrical shock, be sure you have turned off the power at the main circuit panel.

Step 1. Insert the receiver into the ceiling mounting bracket with the flat side of the receiver facing the ceiling. **(Fig. 12)** For best performance, make sure the black antenna wire (on the end of the receiver) remains extended, and does not become tangled with the electrical wires.

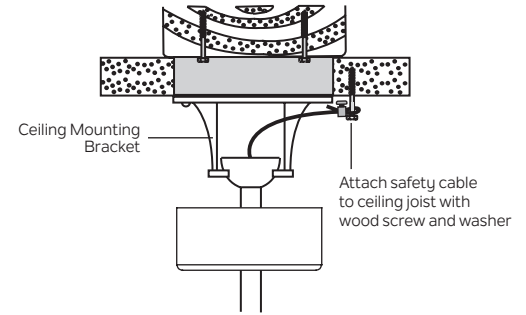


Fig. 11

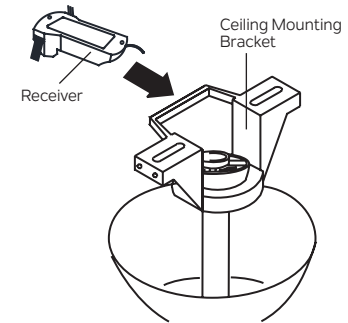


Fig. 12

ELECTRICAL CONNECTIONS (continued)

WARNING: Carefully read and retain this Instruction Manual for future reference.

WARNING: To avoid possible electrical shock, be sure the electricity is turned off at the main panel by removing the fuse or opening the circuit breaker.

WARNING: This control is designed for use with “DC Motor Ceiling Fans” ONLY. DO NOT use with any other type of electrical appliance.

WARNING: All wiring must conform to national and local electrical codes. If you feel you do not have enough electrical knowledge, have a licensed electrician install the control.

WARNING: The amperage for your fan should not exceed 1A. The total wattage for the lights 40W.

Make each of the wire connections illustrated in **Fig. 13**. Secure each with the wire nuts provided.

Use the wire connectors supplied with your fan. Secure the connectors with electrical tape. Make sure there are no loose wire strands or connections.

WARNING: Check to see that all connections are tight, including ground, and that no bare wire is visible at the wire connections.

After making all wire connections, turn the wire connecting nuts upward, and push the wiring into the outlet box. Separate the white (neutral) and green (ground) wire connections to the one side of the outlet box, and the black (hot) wire connections to the other side of the outlet box.

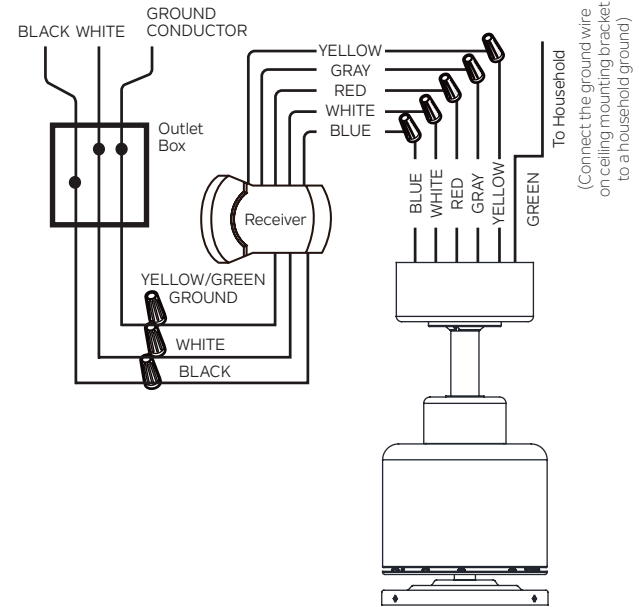


Fig. 13

ELECTRICAL CONNECTIONS (continued)

A. CEILING FAN TO RECEIVER WIRE CONNECTION

Step 1. Connect the Blue wire from the fan (motor) to the Blue wire from the receiver. White wire from the fan (motor) to the White wire from the receiver. Red wire from the fan (motor) to the Red wire from the receiver. Gray wire from the fan (motor) to the Gray wire from the receiver. Yellow wire from the fan (motor) to the Yellow wire from the receiver. **(Fig. 13)**

NOTE: If you **DO NOT** plan to use the light kit with your fan at this time, please **DO NOT** connect the Blue wires or White wires. Instead, cap each individual Blue wire and White wire with wire nuts.

B. RECEIVER TO HOUSEHOLD WIRE CONNECTION

WARNING: If your house wires are in different colors than referenced in this manual, stop immediately. A professional electrician is recommended.

Step 1. The black wire of the receiver (AC IN L) connects to the black wire (HOT) of the ceiling outlet box **(Fig.13)**.

Step 2. The white wire (AC IN N) of the receiver connects to the white wire (NEUTRAL) of the ceiling outlet box **(Fig.13)**.

Step 3. The ground wire (yellow/green) of the receiver connects to the ground conductor of the ceiling outlet box **(Fig.13)**.

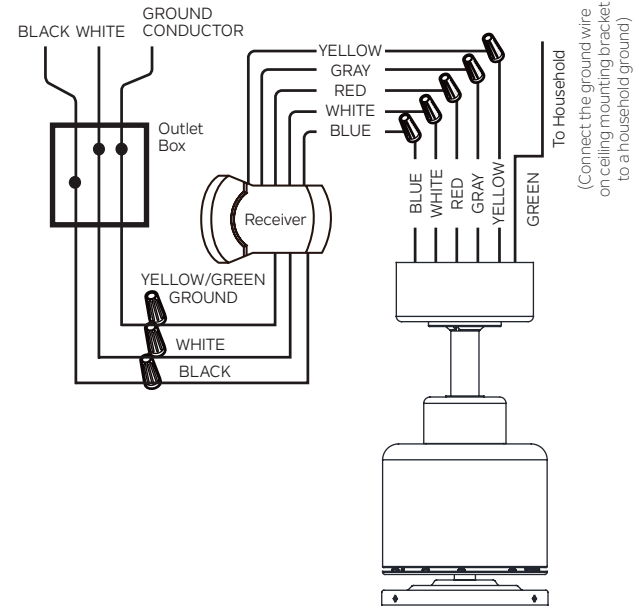


Fig. 13

FINISHING THE MOTOR INSTALLATION

CAUTION: To avoid possible electrical shock, be sure you have turned off the power at the main circuit panel.

Step 1. Tuck all the connections neatly into the ceiling outlet box.

Step 2. Carefully raise the canopy up to the ceiling mounting bracket and place one of the key hole slots in the canopy over the screw on the ceiling mounting bracket. Rotate the canopy until the screw head locks in place at the narrow section of the key hole. (Fig. 14)

Step 3. Align the remaining circular hole in the canopy with the remaining hole in the ceiling mounting bracket. Reinstall the screw you removed earlier (HANGING THE FAN, Step 2/Fig. 5) into the aligned holes. Tighten both screws to secure. Attach the canopy trim ring to the screw heads by inserting the screw heads into the canopy trim ring and rotating the canopy trim ring (clockwise).

NOTE: Adjust the screws as necessary until the canopy and canopy trim ring are snug. (Fig. 14)

WARNING: Make sure the “Check Tab” at the bottom of the ceiling mounting bracket is properly seated in the “Registration Slot” on the side of the hanger ball before attaching the canopy to the ceiling mounting bracket. Failure to properly seat the “Check Tab” could damage the electrical wires when ceiling fan blade direction is changed while the fan is running.

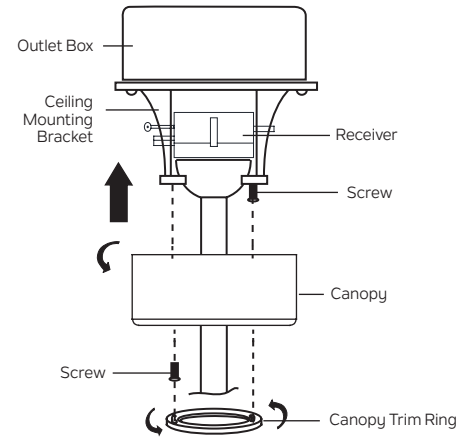


Fig. 14

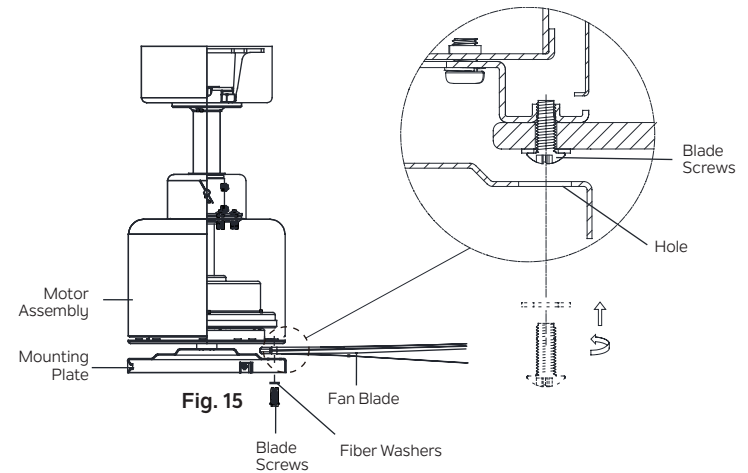
INSTALLING THE FAN BLADES

CAUTION: To reduce the risk of electric shock, disconnect the electrical supply circuit to the fan before installing fan blades.

Step 1. Align the holes in the fan blade with the holes in the motor assembly, and secure the fan blade to the motor assembly with the fiber washers and blade screws provided. Tighten the blade screws to secure the fan blades to the motor assembly. **(Fig. 15)**

NOTE: Install the fiber washers and blade screws through the open slot in the mounting plate.

Step 2. Repeat this process to attach the other two blades.

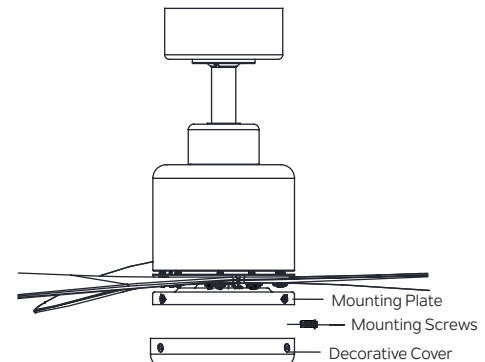


INSTALLING THE DECORATIVE COVER

CAUTION: To reduce the risk of electric shock, disconnect the electrical supply circuit to the fan before installing the decorative cover.

Step 1. Remove the three preinstalled mounting screws from the outside edge of the decorative cover. Retain mounting screws. **(Fig.16)**

Step 2. Place the decorative cover over the mounting plate, aligning the holes in the decorative cover with the holes in the mounting plate. Thread the three mounting screws that were removed into the decorative cover and mounting plate, and tighten to secure. **(Fig. 16)**



INSTALLING THE COOL TOUCH™ WALL PLATE

CAUTION: To avoid possible electrical shock, be sure you have turned off the power at the main circuit panel.

WARNING: All wiring must be in accordance with the National Electrical Code and local electrical codes. Electrical installation should be performed by a qualified licensed electrician.

Select a location to install your CoolTouch™ wall plate. You can replace an existing wall switch, or install the wall plate on ANY flat surface.

Option 1: Install the wall plate using an existing wall switch outlet box.

CAUTION: Switch installation must comply with all local and national electric code. Make sure the electrical power is TURNED OFF at the main panel before continuing.

Step 1. Remove the existing wall plate and the old switch from the wall outlet box. Wire nut the BLACK leads (hot) together and push back inside the outlet box. **(Fig. 17)**

Step 2. Install the metal plate and CoolTouch™ wall plate to the existing wall outlet box with 4 screws provided. Insert the two plastic plugs into the wall plate. **(Fig. 18)**

Option 2: Install the wall plate on ANY flat surface.

Step 1. Select the desired location and use the CoolTouch™ wall plate to mark the location for the mounting holes.

Step 2. Use the drywall anchors and screws provided to finish the installation.

INSTALLING THE TRANSMITTER

Step 1. Insert the transmitter into the wall plate by inserting the bottom of the transmitter first and then pressing the top of the transmitter into the pocket. The transmitter will fully function from this location or you can remove the transmitter and use it as a hand held device. **(Fig. 19)**

Step 2. To remove the transmitter from the wall plate, push the release button and the transmitter will fall into your hand.

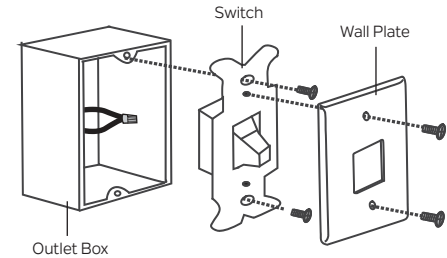


Fig. 17

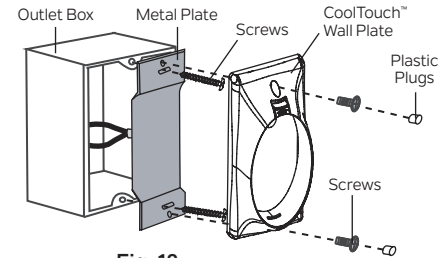


Fig. 18

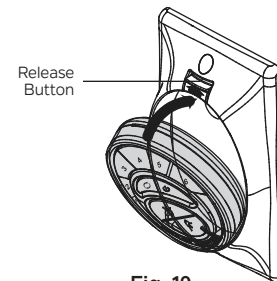


Fig. 19

OPERATING INSTRUCTIONS

INSTALLING THE TRANSMITTER BATTERIES (Fig. 20)

Step 1. Remove the back cover of the transmitter and safety screw. (Fig. 20)
Install two CR2032 3V batteries (included) with the+ side facing up.

NOTE: To prevent damage to the transmitter, remove the batteries if not in use for long periods of time (several months).

Step 2. Replace back cover of transmitter and safety screw.

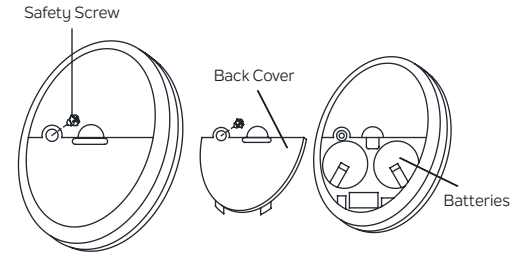


Fig. 20



WARNING: Chemical Burn Hazard. Keep batteries away from children. This product contains a lithium button/coin cell battery. If a new or used lithium button/coin cell battery is swallowed or enters the body, it can cause severe internal burns and can lead to death in as little as 2 hours. Always completely secure the battery compartment. If the battery & compartment does not close securely, stop using the product, remove the batteries, and keep it away from children. If you think batteries might have been swallowed or placed inside any part of the body, seek immediate medical attention.

- a) The cells shall be disposed of properly, including keeping them away from children; and
- b) Even used cells may cause injury.

OPERATING INSTRUCTIONS (continued)

LIGHT FUNCTION SELECTION SWITCH (Fig. 21)

D="Dimming"

O="Only on/off, no dimming"

NOTE: The switch has been factory set to "D".

NOTE: If a dimmable LED light kit is installed to this fan, the switch should always be set to "D".

NOTE: The on/off only setting is intended for use with non-dimmable LED light kits/lamps, and light kits that have fluorescent lamps.

WARNING: If the "D/O" switch is not set correctly, the lighting control system will operate erratically and could damage your ceiling fan.

PAIRING THE TRANSMITTER TO THE FAN (Fig. 21)

NOTE: Your transmitter has been paired to your fan's receiver at the factory. No frequency change is necessary. If the fan is non-functional or if you would like to install an additional fan with a separate frequency code, follow Step 2 to pair a transmitter to a receiver.

WARNING: Make sure the power is completely disconnected before you begin this process.

IMPORTANT: Fan motor and fan blades MUST be installed before pairing process can begin.

Step 1. Remove the safety screw and battery cover from the back of the transmitter. Retain safety screw.

Step 2. Restore power to the ceiling fan branch circuit at the circuit breaker or fuse box. Within 30 seconds of restoring power, press and hold the LEARN button on the back of the transmitter (**Fig. 21**) for 3 seconds. The fan will turn on at medium speed. This confirms that the pairing process is complete. The transmitter will now be paired to your fan and ready for use.

Step 3. Try different speed settings on the transmitter to make sure the fan is fully functional. If programming is unsuccessful, completely disconnect power again, then retry Step 2 again.

Step 4. Reinstall the battery cover and safety screw to the back of the transmitter.

NOTE: Please keep this page in case future reprogramming is needed, or an additional remote control is added.

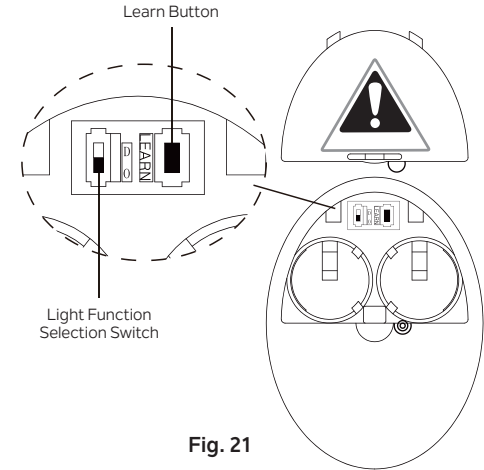






Fig. 21

OPERATING INSTRUCTIONS (continued)

TRANSMITTER OPERATION (Fig. 22)

-  OFF Button
Press once to stop the fan.
-  Fan speed control buttons
1 is the lowest speed and 6 is the highest speed.
Press one of the buttons to start the fan at the corresponding speed, or to change speeds.
-  Light Buttons
Press to control lights on the fan if a light kit is installed.
NOTE: A light kit is not included with this fan.
Press once to turn the light on or off.
DIMMING: Press and hold to dim or brighten the light to desired level, then release.
-  Reverse Button
While the fan is running, press the reverse button once, and the fan will reverse direction.

REVERSE FUNCTION

To operate the reverse function on this fan, press the “Reverse” button on transmitter while fan is running.

Warm weather - Forward (fan rotates counterclockwise) A downward airflow creates a cooling effect as shown in **(Fig. 23)**. This allows you to set your air conditioner on a warmer setting without affecting your comfort.

Cool weather - Reverse (fan rotates clockwise) An upward airflow moves warm air off the ceiling area as shown in **(Fig. 24)**. This allows you to set your heating unit on a cooler setting without affecting your comfort.

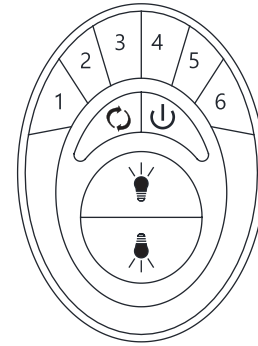


Fig. 22

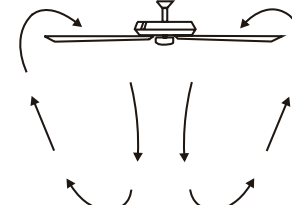


Fig. 23

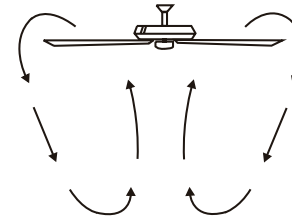


Fig. 24

TROUBLESHOOTING

Problem	Solution
Fan will not start.	<ol style="list-style-type: none"><li data-bbox="358 254 716 279">1. Check circuit fuses or breakers.<li data-bbox="358 296 1615 382">2. Ensure that the batteries in the transmitter are installed properly with the +side facing up, and that they still have power. NOTE: When a button is pressed on the transmitter, the backlight in the transmitter will light up if the batteries still have power.<li data-bbox="358 399 1615 458">3. Check all electrical connections to ensure proper contact. CAUTION: Make sure the main power is OFF when checking any electrical connection.
Fan sounds noisy.	<ol style="list-style-type: none"><li data-bbox="358 497 866 522">1. Make sure all motor housing screws are snug.<li data-bbox="358 539 1215 564">2. Make sure the screws that attach the fan blade brackets to the motor are tight.<li data-bbox="358 581 1518 640">3. Make sure wire nut connections are not rubbing against each other or the interior wall of the switch housing. CAUTION: Make sure main power is off.<li data-bbox="358 657 1492 682">4. Allow a 24-hour "breaking-in" period. Most noise associated with a new fan will disappear during this time.<li data-bbox="358 699 1598 758">5. If using an optional light kit, make sure the screws securing the glassware are tight. Make sure the light bulbs are not touching any other component.<li data-bbox="358 775 1615 834">6. Do not connect this fan to wall mounted variable speed control(s). They are not compatible with ceiling fan motors or remote controls.<li data-bbox="358 851 1377 875">7. Make sure the upper canopy is a short distance from the ceiling. It should not touch the ceiling.

TROUBLESHOOTING (continued)

Problem	Solution
Fan wobble.	<ol style="list-style-type: none">1. Check that all blade and blade arm screws are secure.2. Most fan wobbling problems are caused when blade levels are unequal. Check this level by selecting a point on the ceiling above the tip of one of the blades. Measure this distance. Rotate the fan until the next blade is positioned for measurement. Repeat for each blade. The distance deviation should be equal within 1/8".3. If the blade wobble is still noticeable, interchanging two adjacent (side by side) blades can redistribute the weight and possibly result in smoother operation.
Remote control malfunction.	<ol style="list-style-type: none">1. Ceiling Fans with remote control systems CAN NOT be operated in conjunction with any other control system EXCEPT a basic On/Off wall switch if desired.

WARNING: TO REDUCE THE RISK OF PERSONAL INJURY AND TO ENSURE THE PROPER OPERATION OF YOUR CEILING FAN, NEVER ATTACH THE BLADE ASSEMBLIES UNTIL THE CEILING FAN HAS BEEN MOUNTED ON THE CEILING. DO NOT BEND THE BLADES WHILE INSTALLING, BALANCING OR CLEANING THE FAN. DO NOT INSERT FOREIGN OBJECTS BETWEEN ROTATING FAN BLADES.

FCC INFORMATION

This device complies with part 15 of the FCC Rules. Operation is subject to the following two conditions:

- 1) This device may not cause harmful interference, and
- 2) This device must accept any interference received, including interference that may cause undesired operation.

Note: This equipment has been tested and found to comply with the limits for a Class B digital device, pursuant to part 15 of the FCC Rules. These limits are designed to provide reasonable protection against harmful interference in a residential installation. This equipment generates, uses and can radiate radio frequency energy and, if not installed and used in accordance with the instructions, may cause harmful interference to radio communications. However, there is no guarantee that interference will not occur in a particular installation. If this equipment does cause harmful interference to radio or television reception, which can be determined by turning the equipment off and on, the user is encouraged to try to correct the interference by one or more of the following measures:

- Reorient or relocate the receiving antenna.
- Increase the separation between the equipment and receiver.
- Connect the equipment into an outlet on a circuit different from that to which the receiver is connected.
- Consult the dealer or an experienced radio/TV technician for help.

KICHLER®

www.kichler.com

KICHLER LIGHTING LLC

30455 SOLON RD.

SOLON, OH 44139 USA

CUSTOMER SERVICE 866.558.5706

8:00 AM TO 5:00 PM EST, MONDAY - FRIDAY

REV. 6-NOV-2023

© Kichler Lighting LLC. All Rights Reserved.

KICHLER®

True 52 po

Les images du produit peuvent varier légèrement par rapport au produit réel.



LISEZ ET CONSERVEZ CES INSTRUCTIONS

MANUEL D'INSTRUCTIONS
Modèle n° 310452

TABLE DES MATIÈRES

RÈGLES DE SÉCURITÉ	3	INSTALLATION DES PALES DU VENTILATEUR	14
OUTILS ET MATÉRIAUX NÉCESSAIRES	5	INSTALLATION DU COUVERCLE DÉCORATIF	14
CONTENU DU COLIS.....	5	INSTALLATION DE LA PLAQUE MURALE COOLTOUCH™	15
OPTIONS DE MONTAGE.....	6	INSTALLATION DE L'ÉMETTEUR.....	15
SUSPENDRE LE VENTILATEUR.....	7	INSTRUCTIONS D'UTILISATION	16
INSTALLATION DU CÂBLE DE SÉCURITÉ	10	DÉPANNAGE	19
RACCORDEMENTS ÉLECTRIQUES.....	10	INFORMATIONS FCC.....	21
FINITION DE L'INSTALLATION DU MOTEUR	13		

RÈGLES DE SÉCURITÉ

LISEZ ET CONSERVEZ CES INSTRUCTIONS

AVERTISSEMENT : POUR LE CANADA, CE VENTILATEUR DOIT ÊTRE FIXÉ DIRECTEMENT À LA STRUCTURE DU BÂTIMENT OU À LA SOLIVE DE PLAFOND. NE PAS FIXER CE VENTILATEUR À UNE BOÎTE DE SORTIE.

- 1. ATTENTION – RISQUE DE CHOC ÉLECTRIQUE :**
Débranchez l'alimentation au panneau du disjoncteur principal ou à la boîte à fusibles principale avant de démarrer et pendant l'installation.
- 2. AVERTISSEMENT :** Tout le câblage doit être conforme au National Electrical Code « ANSI/NFPA 70 » et aux codes électriques locaux. L'installation électrique doit être effectuée par un électricien qualifié et agréé.
- 3. AVERTISSEMENT :** Pour réduire le risque d'électrocution, ce ventilateur doit être installé avec une commande/un interrupteur mural isolant à usage général.
- 4. AVERTISSEMENT :** Ne convient pas à une utilisation avec des commandes de vitesse à semi-conducteurs.
- 5. AVERTISSEMENT :** Pour réduire le risque d'incendie, d'électrocution ou de blessure corporelle, installez l'appareil sur une boîte de sortie portant la mention « acceptable pour soutenir un ventilateur de 15,9 kg (35 lb) ou moins ». Utilisez les vis de montage livrées avec la boîte de sortie. Il faudra probablement remplacer la boîte de sortie, car la plupart des boîtes de sortie utilisées pour soutenir des appareils d'éclairage ne sont pas acceptables pour soutenir un ventilateur. En raison de la complexité de l'installation de ce ventilateur, un électricien agréé qualifié est fortement recommandé.
- 6.** La boîte de sortie et la structure de support doivent être solidement fixées et capables de supporter de manière fiable un minimum de 15,9 kg (35 lb). N'utiliser que des boîtes de sortie homologuées cULus portant la mention « Acceptable pour le support de ventilateur de 15,9 kg (35 lb) ou moins ».
- 7.** Le ventilateur doit être monté avec un dégagement minimum de 2,1 m (7 pi) entre le bord de fuite des pales et le sol.
- 8.** Pour activer la fonction d'inversion sur ce ventilateur, appuyez sur le bouton « Reverse » (Inversion) sur l'émetteur pendant que le ventilateur fonctionne.
- 9.** Évitez de placer des objets sur la trajectoire des pales.
- 10. AVERTISSEMENT :** assurez-vous que l'alimentation est coupée avant de nettoyer votre ventilateur.

RÈGLES DE SÉCURITÉ (suite)

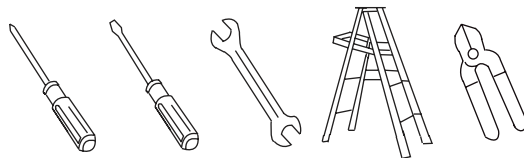
11. Pour éviter des blessures corporelles ou des dommages au ventilateur et à d'autres éléments, soyez prudent lorsque vous travaillez autour ou nettoyez le ventilateur.
12. N'utilisez pas d'eau ou de détergents pour nettoyer le ventilateur ou les pales du ventilateur. Un chiffon sec à poussière ou un chiffon légèrement humide conviendra pour la plupart des nettoyages.
13. Après avoir effectué les raccordements électriques, les conducteurs raccordés doivent être tournés vers le haut et poussés avec précaution dans le boîtier de sortie. Les fils doivent être écartés avec le conducteur mis à la terre et le conducteur de mise à la terre de l'équipement d'un côté de la boîte de sortie et le conducteur non mis à la terre de l'autre côté de la boîte de sortie.
14. Les schémas électriques sont fournis à titre indicatif uniquement. Les ensembles d'éclairage qui ne sont pas fournis avec le ventilateur doivent être répertoriés et marqués cULus pour une utilisation avec le modèle de ventilateur que vous installez. Les commutateurs doivent être des commutateurs cULus à usage général. Reportez-vous aux instructions fournies avec les ensembles d'éclairage et les interrupteurs pour un assemblage correct.
15. Toutes les vis de réglage doivent être vérifiées et resserrées si nécessaire avant l'installation.

16. PDS N 7,82 KG (17,24 LB) / PDS B 8,75 KG (19,29 LB)

AVERTISSEMENT
POUR RÉDUIRE LES RISQUES DE
BLESSURES CORPORELLES, NE PLIEZ PAS
LES PALES PENDANT LE MONTAGE OU
APRÈS L'INSTALLATION. NE PAS INSÉRER
D'OBJETS SUR LE PASSAGE DES PALES.

OUTILS ET MATÉRIAUX NÉCESSAIRES

- Tournevis cruciforme
- Tournevis à lame
- Clé de 11 mm
- Escabeau
- Pincés coupantes

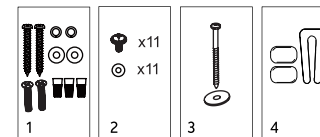
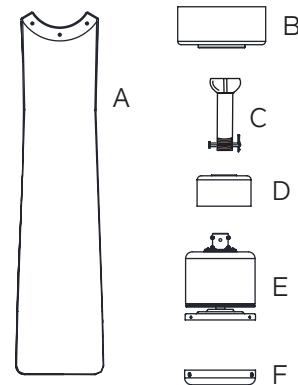


CONTENU DU COLIS

Déballez votre ventilateur et vérifiez le contenu. Vous devriez avoir les éléments suivants :

- A. Pales de ventilateur (3)
- B. Auvent et plafond
Support de montage
- C. Ensemble boule/tige descendante
- D. Couvercle d'accouplement
- E. Ensemble moteur de ventilateur
- F. Couvercle décoratif
- G. Récepteur
- H. Émetteur (371075) et plaque murale

- I. Contenu du sac de pièces
 - 1) Matériel de montage :
Rondelles plates (2), Vis à bois (2)
Rondelles en étoile (2),
Écrous en fil de fer (3)
Vis (2)
 - 2) Matériel de fixation de pale :
Vis de pale (11), Rondelles de fibre (11)
 - 3) Matériel du câble de sécurité :
Vis à bois (1), Rondelle à ressort (1)
 - 4) Trousse d'équilibre



OPTIONS DE MONTAGE

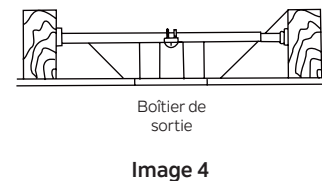
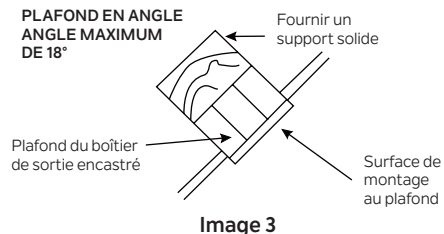
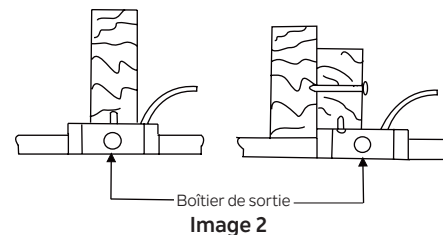
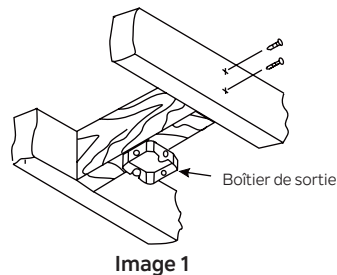
S'il n'y a pas de boîtier de montage homologué UL (cUL pour installation canadienne), lisez les instructions suivantes. Débranchez l'alimentation en retirant les fusibles ou en désactivant les disjoncteurs.

Fixez le boîtier de sortie directement à la structure du bâtiment. Utilisez des fixations et des matériaux de construction appropriés. Le boîtier de sortie et son support doivent pouvoir supporter entièrement le poids total du ventilateur (jusqu'à 15,9 kg (35 lb)). N'utilisez pas de boîtiers de sortie en plastique.

Les Images 1, 2 et 3 sont des exemples des différentes manières de monter le boîtier de sortie.

REMARQUE : Si vous installez le ventilateur de plafond sur un plafond en pente (voûté), vous aurez peut-être besoin d'une tige descendante plus longue pour maintenir un dégagement approprié entre la pointe de la pale et le plafond. Un dégagement minimum de 12 po est suggéré pour un fonctionnement optimal.

REMARQUE : Selon l'endroit que vous avez choisi pour l'installation, vous devrez peut-être acheter et installer une « suspente de solive » pour soutenir le boîtier de sortie. Assurez-vous que le support de solive que vous achetez a été conçu pour être utilisé avec des ventilateurs de plafond. (Image 4)



SUSPENDRE LE VENTILATEUR

ATTENTION : Pour éviter tout risque d'électrocution, assurez-vous d'avoir coupé l'alimentation au panneau de circuit principal avant de procéder au câblage.

RAPPELEZ-VOUS de couper l'alimentation avant de commencer l'installation. Cela est nécessaire pour votre sécurité.

AVERTISSEMENT : Toutes les vis de réglage doivent être vérifiées et resserrées si nécessaire avant l'installation.

Pour installer correctement votre ventilateur de plafond, suivez les étapes ci-dessous.

Étape 1. Retirez l'anneau de garniture de l'auvent en le tournant dans le sens antihoraire. **(Image 5)**

Étape 2. Retirez le support de montage au plafond de l'auvent en retirant et en conservant l'une des deux vis. Desserrez la vis restante d'un demi-tour. **(Image 5)**

Étape 3. Faites passer les fils d'alimentation de 120 volts du boîtier de sortie au plafond par le centre du support de montage au plafond. **(Image 6)**

Étape 4. Installez le support de montage sur le boîtier de sortie au plafond à l'aide des vis et rondelles fournies avec le boîtier de sortie. **(Image 6)**

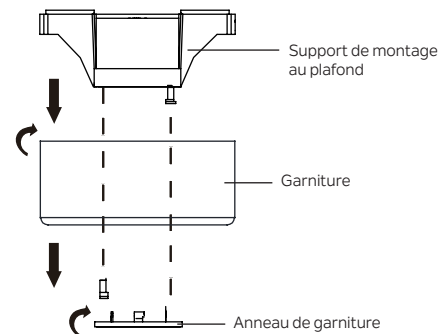


Image 5

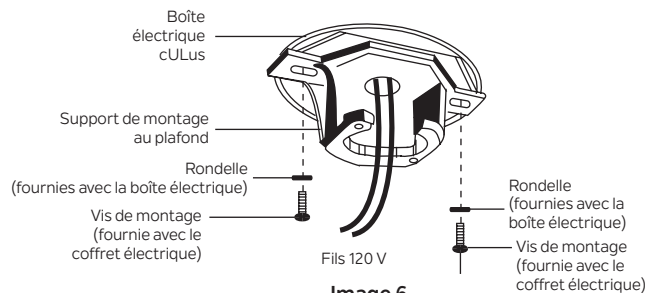


Image 6

SUSPENDRE LE VENTILATEUR (Suite)

AVERTISSEMENT : Toutes les vis de réglage doivent être vérifiées et resserrées si nécessaire avant l'installation.

Étape 5. Retirez le clip de retenue et la goupille d'attelage de l'ensemble boule/tige descendante. Retirez la boule de suspension de l'assemblage de la tige descendante en desserrant les vis de réglage (ne pas les retirer), en dévissant et retirant la goupille transversale et en dévissant la boule hors de la tige. **(Image 7)**

Étape 6. Desserrez les deux vis de pression (ne les retirez pas) dans le raccord sur le dessus du moteur. **(Image 8)**

Étape 7. Acheminez avec précaution les fils du raccord sur le dessus de l'ensemble moteur à travers la tige descendante. **(Image 8)**

Étape 8. Vissez la tige d'attelage dans l'accouplement sur le dessus de l'ensemble moteur jusqu'à ce que les trous de goupille d'attelage dans la tige d'attelage et les trous de goupille d'attelage dans l'accouplement soient alignés. Insérez soigneusement la goupille d'attelage dans les trous du raccord et de la tige descendante. **(Image 8)**

REMARQUE : Veillez à ne pas coincer la goupille d'attelage contre le câblage à l'intérieur de la tige descendante.

Insérez le clip de retenue dans le trou près de l'extrémité de la goupille d'attelage jusqu'à ce qu'il s'enclenche dans sa position verrouillée. **(Image 8)**

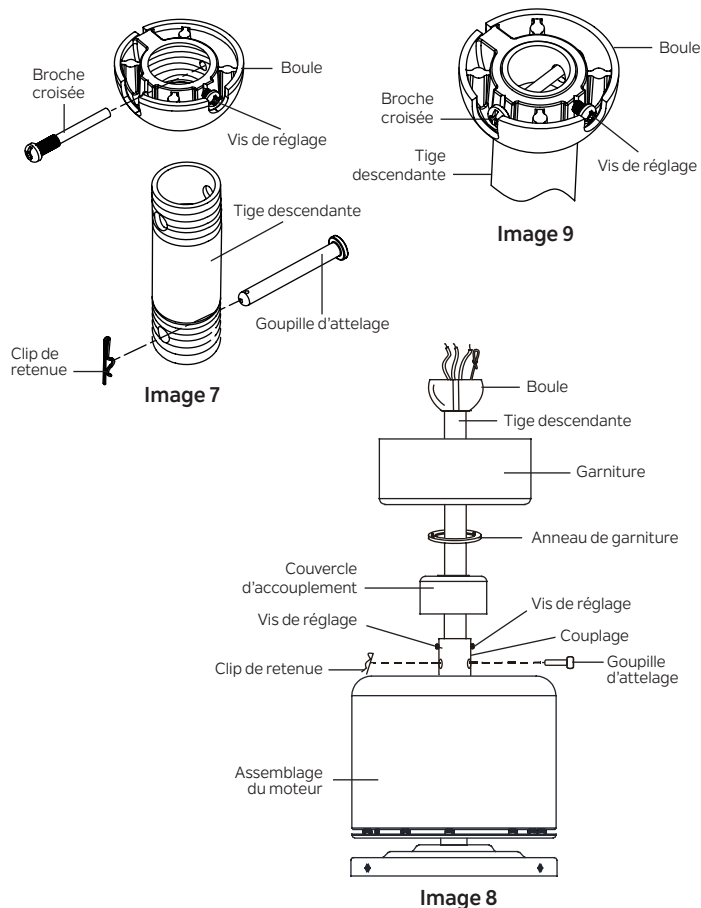
Étape 9. Serrez fermement les deux vis de pression dans le raccord sur le dessus de l'ensemble moteur. **(Image 8)**

Étape 10. Glissez soigneusement le couvercle d'accouplement, l'anneau de finition de garniture (côté fini face au corps du moteur) et la garniture sur la tige descendante. **(Image 8)**

Enfilez soigneusement la boule sur la tige descendante. Insérez la goupille transversale à travers la boule et la tige descendante et serrez. **(Image 9)**

REMARQUE : Veillez à ne pas coincer la tige transversale contre le câblage à l'intérieur de la tige descendante.

Serrez la vis de pression sur la bille. Assurez-vous que les fils ne sont pas tordus. **(Image 9)**



SUSPENDRE LE VENTILATEUR (Suite)

Étape 11. Soulevez maintenant l'assemblage moteur et placez la boule de suspension dans le support de montage. Faites pivoter l'ensemble jusqu'à ce que la « languette de contrôle » soit tombée dans la « fente d'enregistrement » et soit fermement en place. **(Image 10)**

L'ensemble du moteur ne doit pas tourner (à gauche ou à droite) lorsqu'il est correctement installé.

AVERTISSEMENT : Le fait de ne pas remettre en place la goupille transversale et de placer la « languette de contrôle » peut entraîner la chute du ventilateur du plafond pendant le fonctionnement. Veuillez tout particulièrement à ce que cette goupille soit remise en place.

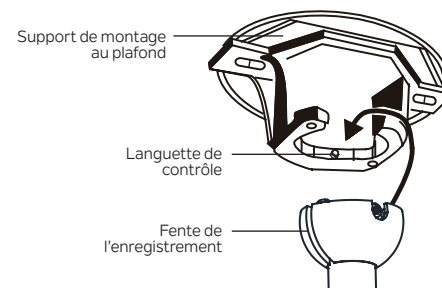


Image 10

INSTALLATION DU CÂBLE DE SÉCURITÉ (requis pour l'installation au Canada SEULEMENT)

Un câble de support de sécurité est fourni pour aider à empêcher le ventilateur de plafond de tomber, veuillez l'installer comme suit.

Étape 1. Fixez la vis à bois et la rondelle à la solive de plafond à côté du support de montage, mais ne serrez pas. (Image 11)

Étape 2. Ajustez la longueur du câble de sécurité pour atteindre la vis et la rondelle en tirant le câble supplémentaire à travers l'attache-câble jusqu'à ce que la longueur totale soit correcte, remettez l'extrémité du câble à travers l'attache-câble, en formant une boucle à l'extrémité du câble. Serrez fermement le serre-câble. Maintenant, placez la boucle à l'extrémité du câble de sécurité sur la vis à bois et sous la rondelle. Serrez fermement la vis à bois.

REMARQUE : Bien que le câble de support de sécurité ne soit requis que pour les installations au Canada, c'est une bonne idée d'effectuer la fixation avec n'importe quelle installation.

RACCORDEMENTS ÉLECTRIQUES

ATTENTION : Pour éviter tout risque d'électrocution, assurez-vous d'avoir coupé l'alimentation au panneau de circuit principal avant de procéder au câblage.

Étape 1. Insérez le récepteur dans le support de montage au plafond, le côté plat du récepteur faisant face au plafond. (Image 12) Pour de meilleures performances, assurez-vous que le fil d'antenne noir (à l'extrémité du récepteur) reste étendu et ne s'emmêle pas avec les fils électriques.

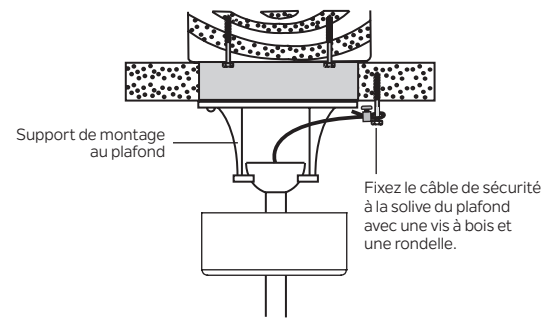


Image 11

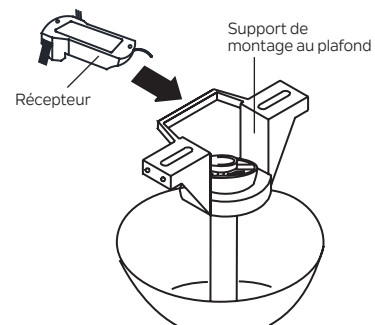


Image 12

RACCORDEMENTS ÉLECTRIQUES (SUITE)

AVERTISSEMENT : Lisez attentivement et conservez ce manuel d'instructions pour toute référence ultérieure.

AVERTISSEMENT : Pour éviter tout risque d'électrocution, assurez-vous que l'électricité est coupée au niveau du panneau principal en retirant le fusible ou en ouvrant le disjoncteur.

AVERTISSEMENT : Cette commande est conçue pour être utilisée avec les « ventilateurs de plafond à moteur c.c. » **UNIQUEMENT.** NE PAS utiliser avec tout autre type d'appareil électrique.

AVERTISSEMENT : Tout le câblage doit être conforme aux codes électriques nationaux et locaux. Si vous pensez ne pas avoir suffisamment de connaissances en électricité, demandez à un électricien agréé d'installer le système de commande.

AVERTISSEMENT : L'ampérage de votre ventilateur ne doit pas dépasser 1 A. La puissance totale des lumières est de 40 W.

Effectuez chacune des connexions de fils illustrées à l'image 13. Fixez chacun d'entre eux avec les écrous de fil fournis.

Utilisez les connecteurs de fils fournis avec votre ventilateur. Fixez les connecteurs avec du ruban isolant. Assurez-vous qu'il n'y a pas de torons métalliques ou de raccords desserrés.

AVERTISSEMENT : Vérifiez que toutes les connexions sont bien serrées, y compris la mise à la terre, et qu'aucun fil nu n'est visible au niveau des connexions de fil.

Après avoir raccordé tous les fils, tournez les capuchons de connexion des fils vers le haut et poussez le câblage dans le boîtier de sortie. Séparez les raccordements de fil blanc (neutre) et vert (mise à la terre) d'un côté du boîtier de sortie et les raccordements de fil noir (sous tension) de l'autre côté.

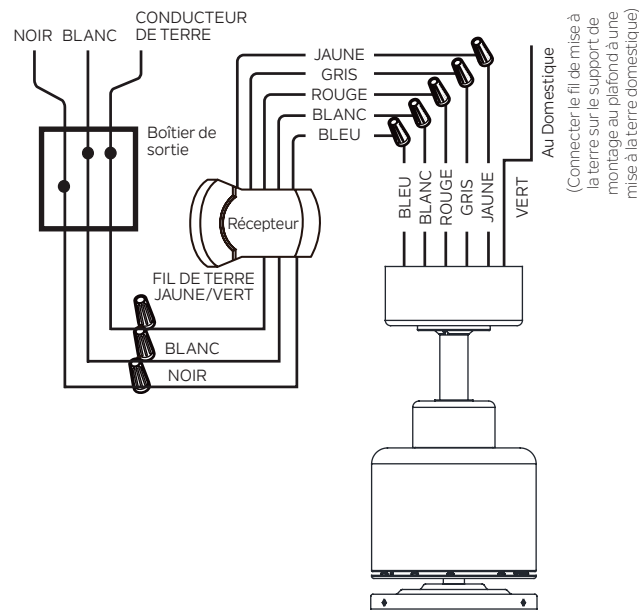


Image 13

RACCORDEMENTS ÉLECTRIQUES (SUITE)

A. CONNEXION DES FILS DU VENTILATEUR DE PLAFOND AU RÉCEPTEUR

Étape 1. Raccordez le fil bleu du ventilateur (moteur) au fil bleu du récepteur; le fil blanc du ventilateur (moteur) au fil blanc du récepteur; le fil rouge du ventilateur (moteur) au fil rouge du récepteur; le fil gris du ventilateur (moteur) au fil gris du récepteur. le fil jaune du ventilateur (moteur) au fil jaune du récepteur; **(Image 13)**

REMARQUE : Si vous ne prévoyez **PAS** d'utiliser votre kit d'éclairage avec le ventilateur pour le moment, veuillez **NE PAS** raccorder les fils bleus ou blancs. Au lieu de cela, couvrez chaque fil bleu et chaque fil blanc avec des capuchons de connexion.

B. CONNEXION DU RÉCEPTEUR AU FIL DOMESTIQUE

AVERTISSEMENT : Si les fils de votre maison sont de couleurs différentes de celles indiquées dans ce manuel, arrêtez immédiatement. Il est recommandé de faire appel à un électricien professionnel.

Étape 1. Le fil noir du récepteur (AC IN L) se connecte au fil noir (SOUS TENSION) de la boîte de sortie du plafond **(Image 13)**.

Étape 2. Le fil blanc (AC IN N) du récepteur se connecte au fil blanc (NEUTRE) de la boîte de sortie du plafond **(Image 13)**.

Étape 3. Le fil de mise à la terre (jaune/vert) du récepteur se connecte au conducteur de mise à la terre de la boîte de sortie du plafond **(Image 13)**.

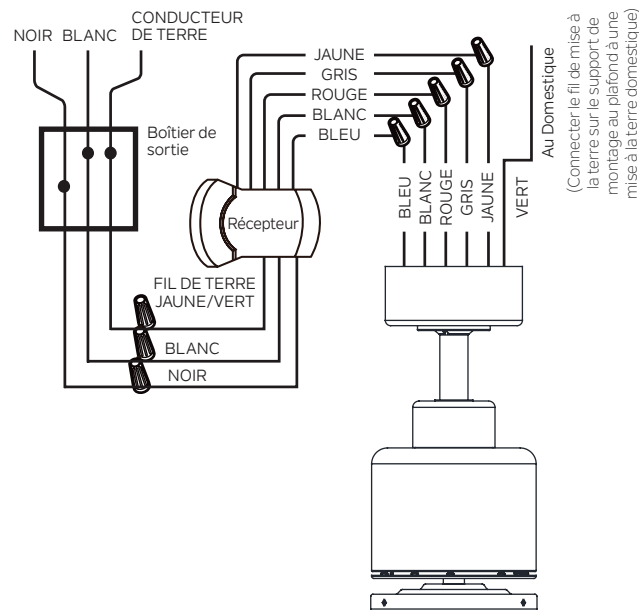


Image 13

FINITION DE L'INSTALLATION DU MOTEUR

ATTENTION : Pour éviter tout risque d'électrocution, assurez-vous d'avoir coupé l'alimentation au panneau de circuit principal avant de procéder au câblage.

Étape 1. Rentrez soigneusement toutes les connexions dans la boîte de sortie au plafond.

Étape 2. Soulevez avec précaution l'auvent jusqu'au support de montage au plafond et placez l'une des fentes du trou de serrure de l'auvent sur la vis du support de montage au plafond. Faites tourner l'auvent jusqu'à ce que la tête de la vis se bloque en place au niveau de la partie étroite du trou de la clé. **(Image 14)**

Étape 3. Alignez le trou circulaire restant de la garniture avec le trou restant du support de montage au plafond. Réinstallez la vis que vous avez retirée plus tôt **(SUSPENDRE LE VENTILATEUR, étape 2/Image 5)** dans les trous alignés. Serrez bien les deux vis. Fixez l'anneau de garniture de la monture aux têtes de vis en insérant les têtes de vis dans l'anneau de garniture de la monture et en tournant l'anneau de garniture de la monture (dans le sens horaire).

REMARQUE : Ajustez les vis si nécessaire jusqu'à ce que la garniture et l'anneau de finition de garniture soient bien ajustés avec l'anneau. **(Image 14)**

AVERTISSEMENT : Assurez-vous que la « languette de contrôle » située en bas du support de suspension est correctement placée dans la « fente d'enregistrement » sur le côté de la boule de suspension avant de fixer la garniture au support. Si vous ne placez pas correctement la « languette de contrôle », vous risquez d'endommager les fils électriques lorsque vous changez la direction des pales du ventilateur de plafond pendant que le ventilateur fonctionne.

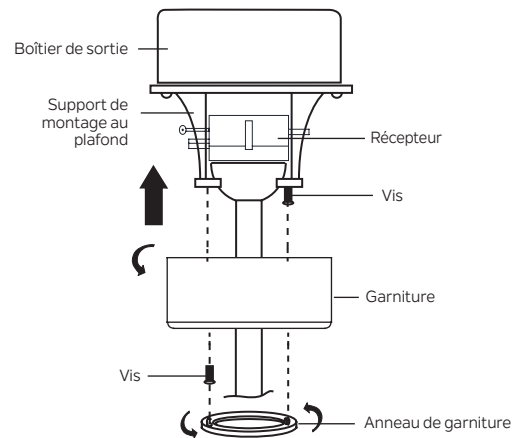


Image 14

INSTALLATION DES PALES DU VENTILATEUR

ATTENTION : Pour réduire le risque d'électrocution, débranchez le circuit d'alimentation électrique du ventilateur avant d'installer les pales du ventilateur.

Étape 1. Alignez les trous de la pale du ventilateur avec les trous de l'ensemble moteur et fixez la pale du ventilateur à l'ensemble moteur avec les rondelles en fibre et les vis de pale fournies. Serrez les vis de pale pour fixer les pales du ventilateur au moteur. **(Image 15)**

REMARQUE : Installez les rondelles en fibre et les vis de pale dans la fente ouverte de la plaque de montage.

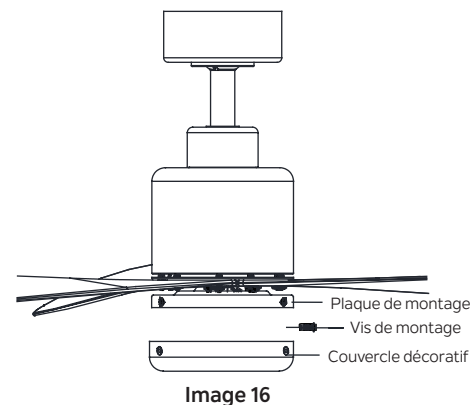
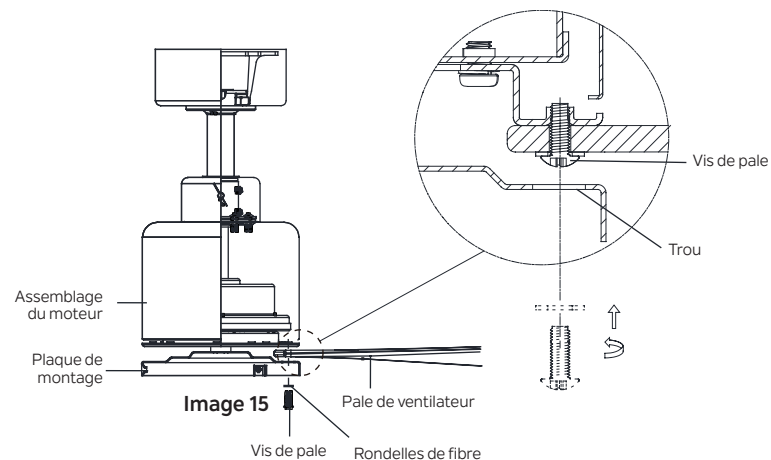
Étape 2. Répétez ce processus pour fixer les deux autres pales.

INSTALLATION DU COUVERCLE DÉCORATIF

ATTENTION : Pour réduire le risque d'électrocution, débranchez le circuit d'alimentation électrique du ventilateur avant d'installer le couvercle décoratif.

Étape 1. Retirez les trois vis de montage préinstallées du bord extérieur du couvercle décoratif. Conservez les vis de montage. **(Image 16)**

Étape 2. Placez le couvercle décoratif sur la plaque de montage, en alignant les trous dans le couvercle décoratif avec les trous dans la plaque de montage. Vissez les trois vis de montage qui ont été retirées dans le couvercle décoratif et la plaque de montage, puis serrez pour fixer. **(Image 16)**



INSTALLATION DE LA PLAQUE MURALE COOL TOUCH™

ATTENTION : Pour éviter tout risque d'électrocution, assurez-vous d'avoir coupé l'alimentation au panneau de circuit principal avant de procéder au câblage.

AVERTISSEMENT : Tout le câblage doit être conforme au National Electrical Code et aux codes électriques locaux. L'installation électrique doit être effectuée par un électricien qualifié et agréé.

Sélectionnez un emplacement pour installer votre plaque murale CoolTouch™. Vous pouvez remplacer un interrupteur mural existant ou installer la plaque murale sur N'IMPORTE QUELLE surface plane.

Option 1 : Installez la plaque murale en utilisant un boîtier de sortie d'interrupteur mural existant.

ATTENTION : L'installation de l'interrupteur doit être conforme à tous les codes électriques locaux et nationaux. Assurez-vous que l'alimentation électrique est COUPÉE au niveau du panneau principal avant de continuer.

Étape 1. Retirez la plaque murale existante et l'ancien interrupteur de la boîte de sortie murale. Raccordez les fils NOIR (sous tension) ensemble et repoussez-les à l'intérieur du boîtier de sortie. (Image 17)

Étape 2. Installez la plaque métallique et la plaque murale CoolTouch™ sur la boîte de prise murale existante avec les 4 vis fournies. Insérez les deux bouchons en plastique dans la plaque murale. (Image 18)

Option 2 : Installez la plaque murale sur N'IMPORTE QUELLE surface plane.

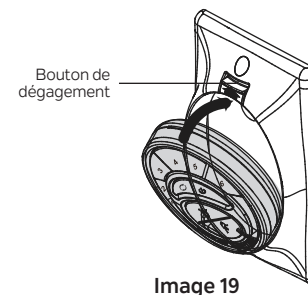
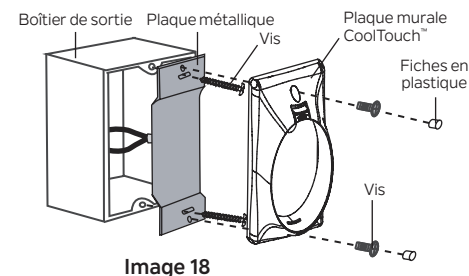
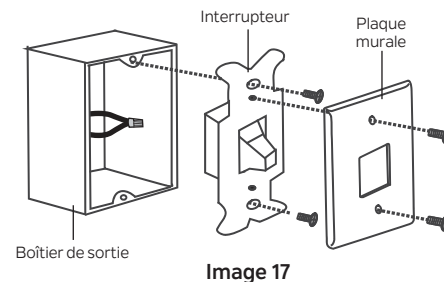
Étape 1. Sélectionnez l'emplacement souhaité et utilisez la plaque murale CoolTouch™ pour marquer l'emplacement des trous de montage.

Étape 2. Utilisez les ancrages pour cloison sèche et les vis fournies pour terminer l'installation.

INSTALLATION DE L'ÉMETTEUR

Étape 1. Insérez l'émetteur dans la plaque murale en insérant d'abord le bas de l'émetteur, puis en enfonçant le haut de l'émetteur dans la poche. L'émetteur fonctionnera entièrement à cet endroit, et vous pouvez aussi le retirer et l'utiliser comme dispositif portable. (Image 19)

Étape 2. Pour retirer l'émetteur de la plaque murale, appuyez sur le bouton de déverrouillage et l'émetteur tombera dans votre main.



INSTRUCTIONS D'UTILISATION

INSTALLATION DES PILES DE L'ÉMETTEUR (Image 20)

Étape 1. Retirez le couvercle arrière de l'émetteur et la vis de sécurité. (Image 20)
Installez deux piles 3V CR2032 (incluses) avec le côté + vers le haut.

REMARQUE : Pour éviter d'endommager l'émetteur, retirez les piles si vous ne l'utilisez pas pendant une longue période (plusieurs mois).

Étape 2. Remplacez le couvercle arrière de l'émetteur et la vis de sécurité.

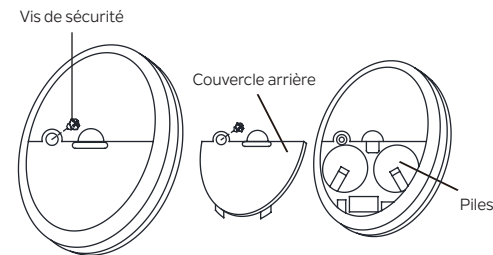


Image 20



AVERTISSEMENT : Risque de brûlure chimique. Gardez les piles hors de portée des enfants. Ce produit contient une pile bouton au lithium. Si une pile bouton au lithium neuve ou usagée est avalée ou pénètre dans le corps, elle peut provoquer de graves brûlures internes et entraîner la mort en moins de 2 heures. Sécurisez toujours complètement le compartiment des piles. Si la pile et le compartiment ne se ferment pas correctement, arrêtez d'utiliser le produit, retirez les piles et tenez-le hors de portée des enfants. Si vous pensez que des piles ont été avalées ou placées à l'intérieur d'une partie du corps, consultez immédiatement un médecin.

a) Les piles boutons doivent être éliminées de manière appropriée, y compris en les gardant hors de portée des enfants ; et
b) Même les piles boutons usagées peuvent causer des blessures.

MODE D'EMPLOI (SUITE)

COMMUTATEUR DE SÉLECTION DE LA FONCTION D'ÉCLAIRAGE (Image 21)

D = « Gradation »

O = « Seulement activé/désactivé, pas de gradation »

REMARQUE : l'interrupteur a été réglé en usine sur « D ».

REMARQUE : si une trousse d'éclairage à DEL à intensité réglable est installée sur ce ventilateur, l'interrupteur doit toujours être réglé sur « D ».

REMARQUE : le réglage marche/arrêt seulement est destiné à être utilisé avec des trousse/lampes d'éclairage à DEL non réglables et des trousse d'éclairage dotées de lampes fluorescentes.

AVERTISSEMENT : si l'interrupteur « D/O » n'est pas réglé correctement, le système de commande d'éclairage fonctionnera de façon irrégulière et pourrait endommager votre ventilateur de plafond.

JUMELAGE DE L'ÉMETTEUR AU VENTILATEUR (Image 21)

REMARQUE : votre émetteur a été jumelé au récepteur de votre ventilateur en sortie d'usine. Aucun changement de fréquence n'est nécessaire. Si le ventilateur n'est pas fonctionnel ou si vous souhaitez installer un ventilateur supplémentaire avec un code de fréquence distinct, suivez l'étape 2 pour jumeler un émetteur à un récepteur.

AVERTISSEMENT : Assurez-vous que l'alimentation est complètement coupée avant de commencer ce processus.

IMPORTANT : Le moteur et les pales du ventilateur DOIVENT être installés avant que la procédure de jumelage puisse commencer.

Étape 1. Retirez la vis de sécurité et le couvercle du boîtier de la pile de l'arrière de l'émetteur. Conservez la vis de sécurité.

Étape 2. Rétablissez l'énergie dans le circuit de dérivation du ventilateur de plafond au niveau du disjoncteur ou de la boîte à fusibles. Dans les 30 secondes suivant le rétablissement de l'énergie, appuyez sur le bouton LEARN (apprentissage) situé à l'arrière de l'émetteur (**Image 21**) et maintenez-le enfoncé pendant 3 secondes. Le ventilateur s'allumera à vitesse moyenne. Cela confirme que le processus de jumelage est terminé. L'émetteur sera maintenant jumelé à votre ventilateur et prêt à être utilisé.

Étape 3. Essayez différents réglages de vitesse sur la commande murale pour vous assurer que le ventilateur est maintenant entièrement fonctionnel. Si la programmation échoue, coupez complètement l'alimentation, puis réessayez l'étape 2.

Étape 4. Réinstallez le couvercle du boîtier de la pile et la vis de sécurité sur l'arrière de l'émetteur.

REMARQUE : Veuillez conserver cette page au cas où une reprogrammation serait nécessaire à l'avenir ou si une télécommande supplémentaire est ajoutée.

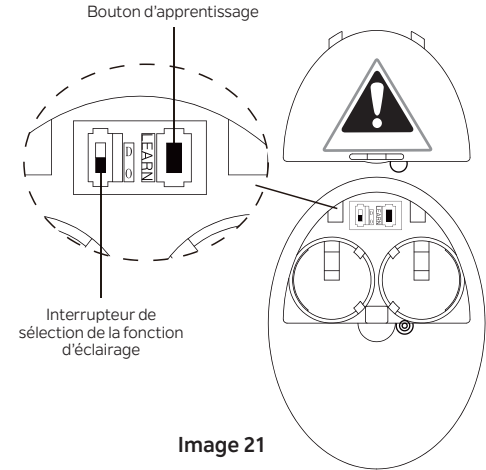







Image 21

MODE D'EMPLOI (SUITE)

FONCTIONNEMENT DE L'ÉMETTEUR (Image 22)

-  Bouton ARRÊT
Appuyer une fois pour arrêter le ventilateur.
-  Boutons de contrôle de la vitesse du ventilateur
1 est la vitesse la plus faible et 6 est la vitesse la plus élevée.
Appuyez sur l'un des boutons pour démarrer le ventilateur à la vitesse correspondante ou pour changer de vitesse.
-  Boutons d'éclairage
Appuyez sur pour commander les lumières du ventilateur si une trousse d'éclairage est installée.
-  **REMARQUE** : une trousse d'éclairage n'est pas incluse avec ce ventilateur.
Appuyez une fois pour allumer ou éteindre la lumière.
GRADATION : Maintenez enfoncé pour faire varier l'intensité de l'éclairage au niveau souhaité, puis relâchez.
-  Bouton inverse
Pendant que le ventilateur est en marche, appuyez une fois sur le bouton d'inversion et le ventilateur inversera la direction.

FONCTION INVERSE

Pour activer la fonction d'inversion sur ce ventilateur, appuyez sur le bouton « Reverse » (Inversion) sur l'émetteur pendant que le ventilateur fonctionne.

Par temps chaud – Vers l'avant (dans le sens anti-horaire). Un flux d'air vers le bas crée un effet de rafraîchissement dans la **Figure 23**. Cela vous permet de régler votre climatiseur sur un réglage plus chaud sans affecter votre confort.

Par temps frais - Inverser (sens horaire) Un flux d'air ascendant évacue l'air chaud des zones du plafond tel que montré dans la **(Figure 24)**. Cela vous permet de régler votre unité de chauffage sur un réglage plus froid sans affecter votre confort.

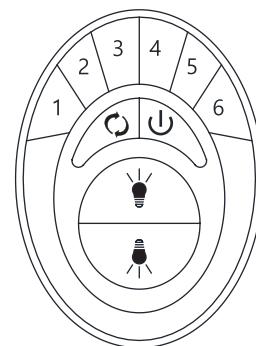


Image 22

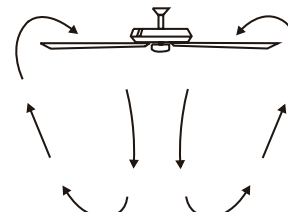


Image 23

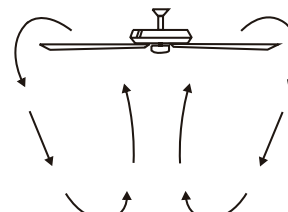


Image 24

DÉPANNAGE

Problème

Solution

Le ventilateur ne démarre pas.

1. Vérifiez les fusibles ou les disjoncteurs.
2. Assurez-vous que les piles de l'émetteur sont installées correctement avec le côté + orienté vers le haut et qu'elles sont toujours sous tension. **REMARQUE :** Lorsqu'un bouton est enfoncé sur l'émetteur, le rétroéclairage de l'émetteur s'allumera si les piles sont encore chargées.
3. Vérifiez tous les raccordements électriques pour assurer un bon contact. **ATTENTION : Assurez-vous que l'alimentation principale est coupée lors de la vérification de tout raccordement électrique.**

Le ventilateur fait du bruit.

1. Assurez-vous que toutes les vis du boîtier du moteur sont bien serrées.
2. Assurez-vous que les vis qui fixent les supports des pales du ventilateur au moteur sont bien serrées.
3. Assurez-vous que les raccords des écrous métalliques ne frottent pas les uns contre les autres ou contre la paroi intérieure du boîtier de l'interrupteur. **ATTENTION : Assurez-vous que l'alimentation principale est coupée.**
4. Prévoyez une période de « rodage » de 24 heures. La plupart des bruits associés à un nouveau ventilateur disparaîtront pendant ce temps.
5. Si vous utilisez un ensemble d'éclairage en option, assurez-vous que les vis fixant la verrerie sont bien serrées. Assurez-vous que les ampoules ne touchent aucun autre composant.
6. Ne connectez pas ce ventilateur à une ou plusieurs commandes de vitesse variable fixées au mur. Ils ne sont pas compatibles avec les moteurs de ventilateurs de plafond ou les télécommandes.
7. Assurez-vous que l'auvent supérieur est à une courte distance du plafond. Elle ne doit pas toucher le plafond.

DÉPANNAGE (suite)

Problème

Solution

Le ventilateur vacille.

1. Vérifiez que toutes les vis de la pale et du bras de pale sont bien fixées.
2. La plupart des problèmes d'oscillation du ventilateur sont causés lorsque les niveaux des pales sont inégaux. Vérifiez ce niveau en sélectionnant un point sur le plafond au-dessus de la pointe de l'une des pales. Mesurez cette distance. Faites tourner le ventilateur jusqu'à ce que la pale suivante soit positionnée pour la mesure. Répétez pour chaque pale. L'écart de distance doit être égal à 3 mm (1/8 po).
3. Si l'oscillation de la pale est toujours perceptible, interchanger deux pales adjacentes (côte à côte) peut redistribuer le poids et éventuellement entraîner un fonctionnement plus fluide.

Dysfonctionnement de la télécommande.

1. Les ventilateurs de plafond équipés de systèmes de télécommande NE PEUVENT PAS être utilisés avec un autre système de commande SAUF un interrupteur mural Marche/Arrêt de base si vous le souhaitez.

AVERTISSEMENT : POUR RÉDUIRE LE RISQUE DE BLESSURES PERSONNELLES ET POUR ASSURER LE BON FONCTIONNEMENT DE VOTRE VENTILATEUR DE PLAFOND, NE FIXEZ JAMAIS LES ENSEMBLES DE PALES TANT QUE LE VENTILATEUR DE PLAFOND N'A PAS ÉTÉ MONTÉ AU PLAFOND. NE PLIEZ PAS LES PALES PENDANT L'INSTALLATION, L'ÉQUILIBRAGE OU LE NETTOYAGE DU VENTILATEUR. NE PAS INSÉRER D'OBJETS ÉTRANGERS ENTRE LES PALES DU VENTILATEUR EN ROTATION.

INFORMATION FCC

Cet appareil est conforme aux exigences de la section 15 du règlement de la FCC. Fonctionnement assujéti aux deux conditions d'utilisation suivantes :

- 1) Cet appareil ne doit pas provoquer d'interférences nuisibles, et
- 2) Cet appareil doit accepter tous les brouillages reçus, y compris ceux pouvant causer un fonctionnement indésirable.

Remarque : Cet équipement a été testé et déclaré conforme aux limites d'un appareil numérique de classe B, conformément à la partie 15 des règles FCC. Ces limites sont conçues pour fournir une protection raisonnable contre les interférences nuisibles dans une installation résidentielle. Cet équipement génère, utilise et peut émettre de l'énergie radiofréquence et, s'il n'est pas installé et utilisé conformément aux instructions, peut provoquer des interférences nuisibles aux communications radio. Cependant, il n'y a aucune garantie que des interférences ne se produiront pas dans une installation particulière. Si cet équipement provoque des interférences nuisibles à la réception de la radio ou de la télévision, ce qui peut être déterminé en éteignant et en rallumant l'équipement, l'utilisateur est encouragé à essayer de corriger les interférences par une ou plusieurs des mesures suivantes :

- Réorientez ou déplacez l'antenne de réception.
- Augmentez l'espace entre l'équipement et le récepteur.
- Branchez l'équipement à une prise sur un circuit différent de celui auquel le récepteur est raccordé.
- Consultez le revendeur ou un technicien radio/TV expérimenté pour obtenir de l'aide.

KICHLER®

www.kichler.com

KICHLER LIGHTING LLC
30455 SOLON RD.
SOLON, OHIO 44139 USA

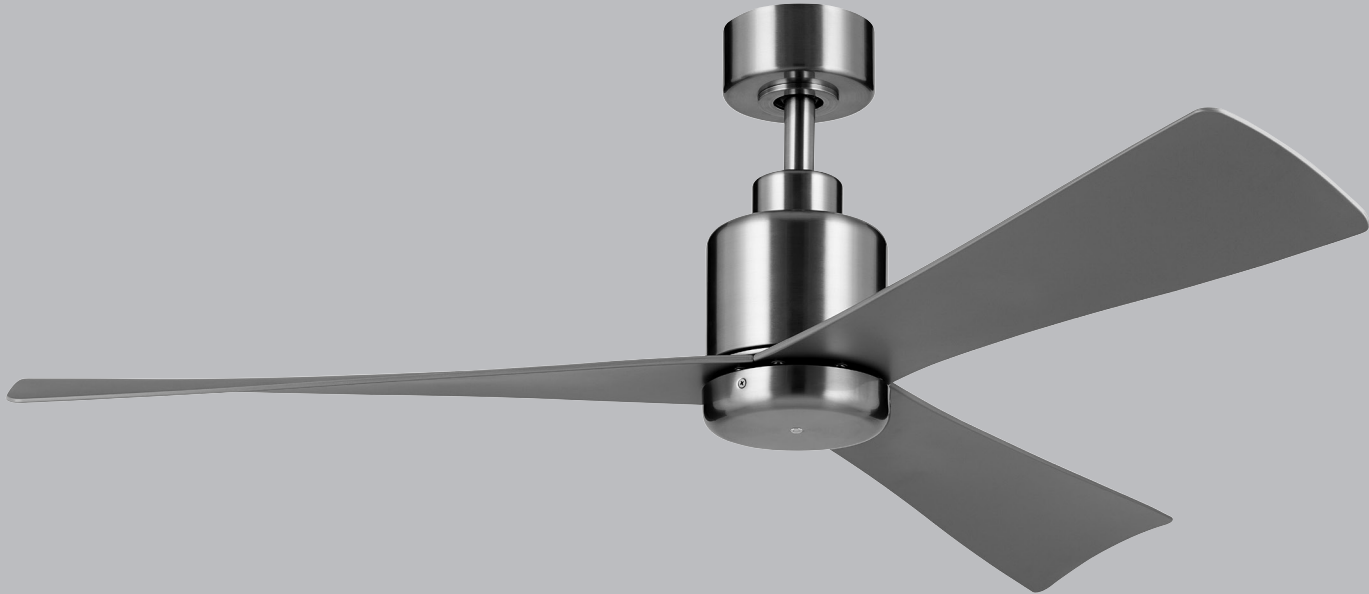
SERVICE À LA CLIENTÈLE 866.558.5706
8 h à 17 h EST, DU LUNDI AU VENDREDI

RÉV. 6-NOV-2023
© Kichler Lighting LLC. Tous droits réservés.

KICHLER®

True de 1.32 m (52 in)

Las imágenes del producto pueden diferir ligeramente del producto real.



LEA Y GUARDE ESTAS INSTRUCCIONES

MANUAL DE INSTRUCCIONES
Número de modelo 310452

ÍNDICE

NORMAS DE SEGURIDAD.....	3	INSTALACIÓN DE LAS ASPAS DEL VENTILADOR	14
HERRAMIENTAS Y MATERIALES REQUERIDOS.....	5	INSTALACIÓN DE LA TAPA DECORATIVA.....	14
CONTENIDO DEL PAQUETE	5	INSTALACIÓN DE LA PLACA DE PARED COOLTOUCH™	15
OPCIONES DE MONTAJE.....	6	INSTALACIÓN DEL TRANSMISOR.....	15
CÓMO COLGAR EL VENTILADOR.....	7	INSTRUCCIONES DE FUNCIONAMIENTO.....	16
INSTALACIÓN DEL CABLE DE SEGURIDAD	10	RESOLUCIÓN DE PROBLEMAS.....	19
CONEXIONES ELÉCTRICAS.....	10	INFORMACIÓN DE LA FCC.....	21
FINALIZACIÓN DE LA INSTALACIÓN DEL MOTOR.....	13		

NORMAS DE SEGURIDAD

LEA Y GUARDE ESTAS INSTRUCCIONES

ADVERTENCIA: PARA CANADÁ, ESTE VENTILADOR DEBE FIJARSE DIRECTAMENTE A LA ESTRUCTURA DEL EDIFICIO/VIGA DEL TECHO. NO ASEGURE ESTE VENTILADOR A UNA CAJA DE SALIDA.

- PRECAUCIÓN: RIESGO DE DESCARGA ELÉCTRICA:** Desconecte la energía en el panel principal de disyuntores o en la caja de fusibles principal antes de comenzar y durante la instalación.
- ADVERTENCIA:** Todo el cableado debe instalarse de acuerdo con el Código Eléctrico Nacional 70 del Instituto Nacional Estadounidense de Estándares (American National Standards Institute, ANSI)/la Asociación Nacional de Protección contra Incendios (National Fire Protection Association, NFPA) y los códigos eléctricos locales. La instalación eléctrica debe ser realizada por un electricista calificado.
- ADVERTENCIA:** Para reducir el riesgo de descarga eléctrica, este ventilador debe instalarse con un interruptor/control de pared aislante de uso general.
- ADVERTENCIA:** No apto para usar con controles de velocidad de estado sólido.
- ADVERTENCIA:** Para reducir el riesgo de incendio, descarga eléctrica u otras lesiones personales, monte el ventilador en la caja de salida marcada como “Apta para soporte de ventilador de 15.9 kg (35 lb) o menos” y use los tornillos de montaje proporcionados con la caja de salida. La mayoría de las cajas de salida comúnmente usadas para sujetar accesorios de iluminación no son aptas para sostener ventiladores y se deben reemplazar. Debido a la complejidad de la instalación de este ventilador, se recomienda enfáticamente la intervención de un electricista calificado con licencia.
- La caja de salida y la estructura de soporte deben estar montadas de manera segura y ser capaces de soportar de manera confiable un mínimo de 15.9 kg (35 libras). Use solo cajas de salida con certificación cULus y marcadas como “Apta para soporte de ventilador de 15.9 kg (35 lb) o menos”.
- El ventilador debe montarse con un espacio libre mínimo de 2.1 m (7 pies) desde el borde posterior de las aspas hasta el suelo.
- Para activar la función de reversa de este ventilador, presione el botón “Reversa” en el transmisor mientras el ventilador está funcionando.
- Evite colocar objetos en el camino de las aspas.
- ADVERTENCIA:** asegúrese de que la corriente esté desconectada antes de limpiar el ventilador.

NORMAS DE SEGURIDAD (continuación)

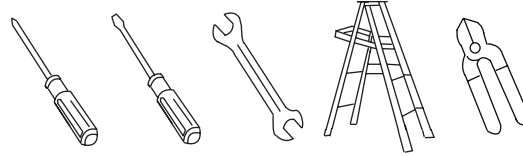
11. Para evitar lesiones personales o daños al ventilador y otros elementos, tenga cuidado cuando trabaje alrededor del ventilador o cuando lo limpie.
12. No use agua ni detergentes para limpiar el ventilador ni las aspas del ventilador. Un paño seco para el polvo o un paño ligeramente humedecido será adecuado para la mayor parte de la limpieza.
13. Después de realizar las conexiones eléctricas, los conductores empalmados deben girarse hacia arriba y empujarse con cuidado hacia la caja de salida. Los cables deben separarse con el conductor puesto a tierra, y el conductor de puesta a tierra del equipo en un lado de la caja de salida, y el conductor sin puesta a tierra en el otro lado de la caja de salida.
14. Los diagramas eléctricos son solo para fines de referencia. Los kits de luz que no vengan empaquetados con el ventilador deben tener la certificación cULus y estar marcados como aptos para usarse con el modelo de ventilador que está instalando. Los interruptores deben ser interruptores de uso general con certificación cULus. Consulte las instrucciones que vienen con los kits de luz e interruptores para un montaje adecuado.
15. Todos los tornillos de fijación deben revisarse y volverse a apretar cuando sea necesario antes de la instalación.

16. Peso neto: 7.82 KG (17.24 LB)/peso bruto: 8.75 KG (19.29 LB)

ADVERTENCIA
PARA REDUCIR EL RIESGO DE LESIONES PERSONALES, NO DOBLE LOS SOPORTES DE LAS ASPAS DURANTE EL MONTAJE O DESPUÉS DE LA INSTALACIÓN. NO INTRODUZCA OBJETOS EN EL CAMINO DE LAS ASPAS.

HERRAMIENTAS Y MATERIALES REQUERIDOS

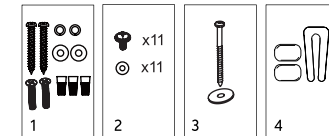
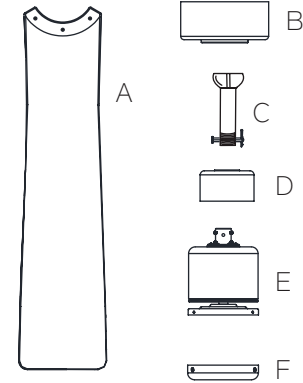
- Destornillador Phillips
- Destornillador plano
- Llave de 11 mm
- Escalera de tijera
- Cortadoras de alambre



CONTENIDO DEL PAQUETE

Desempaque su ventilador y verifique el contenido. Debería tener los siguientes elementos:

- | | |
|--|--|
| A. Aspas del ventilador (3) | I. Contenido de la bolsa de piezas |
| B. Florón y techo
Soporte de montaje | 1) Accesorios de montaje:
Arandelas planas (2), tornillos para madera (2)
Arandelas estrella (2), tuercas para cables (3)
Tornillos (2) |
| C. Conjunto de bola/varilla de extensión | 2) Accesorios para instalación de las aspas:
Tornillos de aspa (11), Arandelas de fibra (11) |
| D. Cubierta de acoplamiento | 3) Accesorios del cable de seguridad:
Tornillo para madera (1), Arandela plana (1) |
| E. Conjunto del motor del ventilador | 4) Kit de balanceo |
| F. Tapa decorativa | |
| G. Receptor | |
| H. Transmisor (371075) y placa de pared | |



OPCIONES DE MONTAJE

Si no existe una caja de montaje con certificación UL (cUL para la instalación en Canadá), lea las siguientes instrucciones. Desconecte la energía quitando los fusibles o apagando los disyuntores.

Fije la caja de salida directamente a la estructura del edificio. Utilice sujetadores y materiales de construcción adecuados. La caja de salida y su soporte deben poder soportar completamente el peso total del ventilador (hasta 15.9 kg [35 libras]). No utilice cajas de salida de plástico.

Las figuras 1, 2 y 3 son ejemplos de diferentes formas de montar la caja de salida.

NOTA: Si está instalando el ventilador de techo en un techo inclinado (abovedado), es posible que necesite una varilla de extensión más larga para mantener el espacio adecuado entre la punta del aspa y el techo. Se sugiere un espacio libre mínimo de 30.5 cm (12 in) para un funcionamiento óptimo.

NOTA: Según la ubicación que haya seleccionado para la instalación, es posible que deba comprar e instalar un "estribo para viguetas" para el soporte de la caja de salida. Asegúrese de que el estribo para viguetas que compre haya sido diseñado para usarse con ventiladores de techo. (Figura 4)

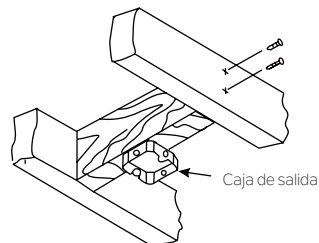


Figura 1

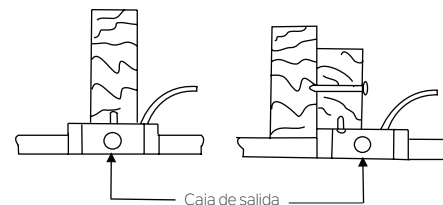


Figura 2

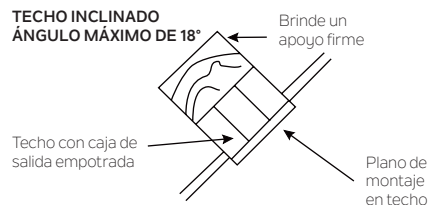


Figura 3

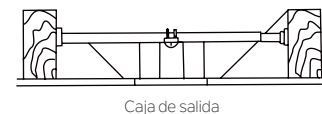


Figura 4

CÓMO COLGAR EL VENTILADOR

PRECAUCIÓN: Para evitar posibles descargas eléctricas, asegúrese de haber desconectado la energía en el panel del circuito principal.

RECUERDE desconectar la energía antes de comenzar la instalación. Esto es necesario para su seguridad.

ADVERTENCIA: Todos los tornillos de fijación deben revisarse y volverse a apretar cuando sea necesario antes de la instalación.

Para instalar correctamente su ventilador de techo, siga los pasos a continuación.

Paso 1. Retire el anillo de ajuste del florón girándolo en sentido contrario a las agujas del reloj. **(Figura 5)**

Paso 2. Retire el soporte de montaje del techo del dosel retirando y guardando uno de los dos tornillos. Afloje el tornillo restante dándole una media vuelta. **(Figura 5)**

Paso 3. Pase los cables de suministro de 120 voltios desde la caja de salida del techo a través del centro del soporte de montaje del techo. **(Figura 6)**

Paso 4. Fije el soporte de montaje del techo a la caja de salida usando los tornillos y las arandelas incluidos con la caja de salida. **(Figura 6)**

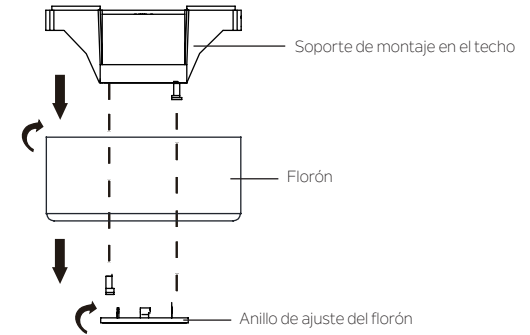


Figura 5

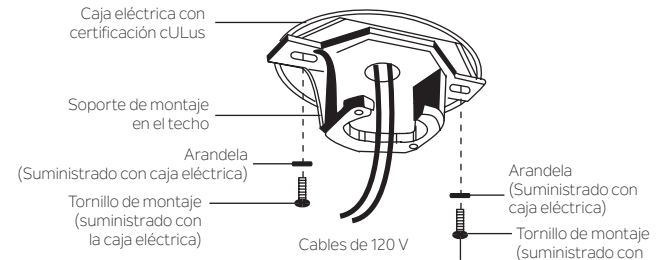


Figura 6

CÓMO COLGAR EL VENTILADOR (continuación)

ADVERTENCIA: Todos los tornillos de fijación deben revisarse y volverse a apretar cuando sea necesario antes de la instalación.

Paso 5. Retire el clip de retención y el pasador de enganche del conjunto de bola/varilla de extensión. Retire la bola del conjunto de bola/varilla de extensión aflojando el tornillo de fijación (no lo retire) de la bola, desatornillando y quitando el pasador transversal y desatornillando la bola para quitarla de la varilla de extensión. **(Figura 7)**

Paso 6. Afloje los dos tornillos de fijación (no los retire) en el acoplamiento de la parte superior del motor. **(Figura 8)**

Paso 7. Introduzca con cuidado los cables del acoplamiento de la parte superior del conjunto del motor a través de la varilla de extensión. **(Figura 8)**

Paso 8. Enrosque la varilla de extensión en el acoplamiento de la parte superior del conjunto del motor hasta que los orificios del pasador de enganche en la varilla de extensión y los orificios del pasador de enganche en el acoplamiento estén alineados. Inserte con cuidado el pasador de enganche a través de los orificios del acoplamiento y la varilla de extensión. **(Figura 8)**

NOTA: Tenga cuidado de no atascar el pasador de enganche con el cableado dentro de la varilla de extensión.

Inserte el clip de retención a través del orificio cerca del extremo del pasador de enganche hasta que encaje en su posición de bloqueo. **(Figura 8)**

Paso 9. Apriete firmemente los dos tornillos de fijación en el acoplamiento de la parte superior del conjunto del motor. **(Figura 8)**

Paso 10. Deslice cuidadosamente la cubierta de acoplamiento, el anillo de ajuste del florón (con el lado de acabado liso orientado hacia el cuerpo del motor) y el florón en la varilla de extensión. **(Figura 8)**

Enrosque con cuidado la bola en la varilla de extensión. Inserte el pasador transversal a través de la bola y la varilla de extensión y apriételo. **(Figura 9)**

NOTA: Tenga cuidado de no atascar el pasador transversal con el cableado dentro de la varilla de extensión.

Apriete el tornillo de fijación de la bola. Asegúrese de que los cables no estén torcidos. **(Figura 9)**

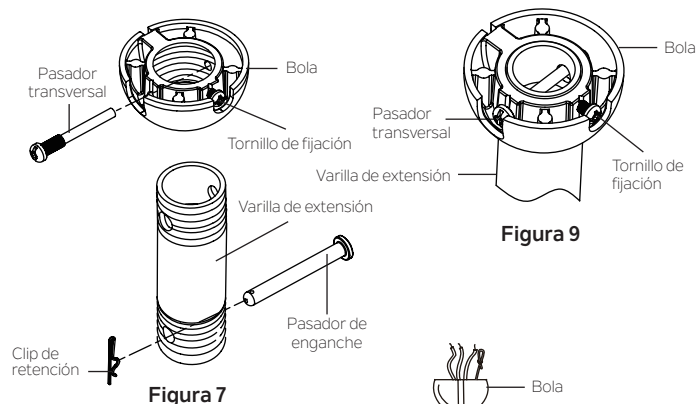


Figura 7

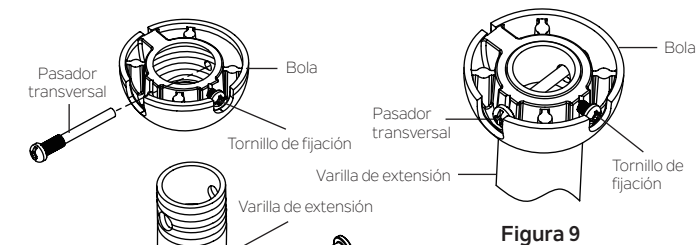


Figura 9

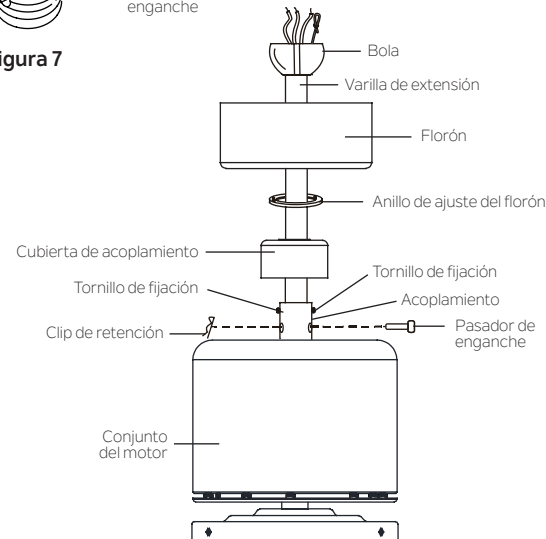


Figura 8

CÓMO COLGAR EL VENTILADOR (continuación)

Paso 11. Levante el conjunto del motor a su posición y coloque la bola de suspensión en el soporte de montaje. Gire todo el conjunto hasta que la "lengüeta de retención" haya caído en la "ranura de registro" y se asiente firmemente. **(Figura 10)**

Todo el conjunto del motor no debe girar (hacia la izquierda o hacia la derecha) cuando se asiente correctamente.

ADVERTENCIA: Si no vuelve a colocar el pasador transversal y asienta la "lengüeta de retención", el ventilador puede caerse del techo durante el funcionamiento. Tenga especial cuidado para asegurarse de que este pasador se vuelva a colocar.

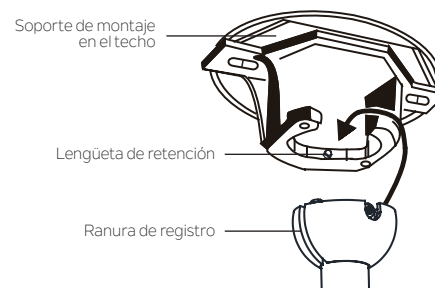


Figura 10

INSTALACIÓN DEL CABLE DE SEGURIDAD (ÚNICAMENTE es necesario para la instalación en Canadá)

Se proporciona un cable de soporte de seguridad para ayudar a evitar que el ventilador de techo se caiga; instálelo de la siguiente manera.

Paso 1. Fije el tornillo para madera y la arandela a la viga del techo que se encuentra junto al soporte de montaje del techo, pero no los apriete. **(Figura 11)**

Paso 2. Para ajustar la longitud del cable de seguridad a fin de que alcance el tornillo y la arandela, tire del cable adicional a través de la abrazadera del cable hasta que el largo total sea el adecuado, vuelva a colocar el extremo del cable a través de la abrazadera del cable, formando un lazo en el extremo del cable. Apriete firmemente la abrazadera del cable. Ahora, coloque el lazo en el extremo del cable de seguridad sobre el tornillo para madera y debajo de la arandela. Apriete firmemente el tornillo de madera.

NOTA: Aunque el cable de soporte de seguridad se requiere solo para instalaciones canadienses, se recomienda hacer esta conexión con cualquier instalación.

CONEXIONES ELÉCTRICAS

PRECAUCIÓN: Para evitar posibles descargas eléctricas, asegúrese de haber desconectado la energía en el panel del circuito principal.

Paso 1. Inserte el receptor en el soporte de montaje del techo con el lado plano del receptor orientado hacia el techo. **(Figura 12)** Para lograr un mejor rendimiento, asegúrese de que el cable negro de la antena (en el extremo del receptor), permanezca extendido y no se enrede con ninguno de los cables eléctricos.

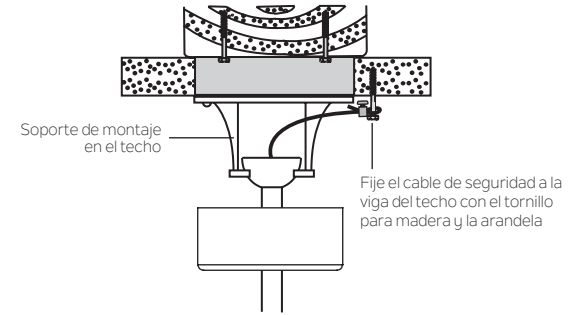


Figura 11

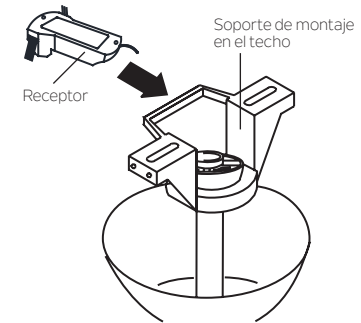


Figura 12

CONEXIONES ELÉCTRICAS (continuación)

ADVERTENCIA: Lea atentamente y conserve este Manual de instrucciones para referencia futura.

ADVERTENCIA: Para evitar posibles descargas eléctricas, asegúrese de que la electricidad esté apagada en el panel principal retirando el fusible o abriendo el disyuntor.

ADVERTENCIA: Este control está diseñado para ser utilizado ÚNICAMENTE con “ventiladores de techo con motor CD”. NO lo use con ningún otro tipo de aparato eléctrico.

ADVERTENCIA: Todo el cableado debe cumplir con los códigos eléctricos nacionales y locales. Si cree que no tiene suficiente conocimiento eléctrico, pida a un electricista con licencia que instale el control.

ADVERTENCIA: El amperaje de su ventilador no debe exceder 1A. El vataje total de las luces es de 40 W.

Realice cada una de las conexiones de cables ilustradas en la **Figura 13**. Asegure cada una con las tuercas para cables proporcionadas.

Utilice los conectores de cables suministrados con el ventilador. Sujete los conectores con cinta aislante. Asegúrese de que no haya conexiones ni tramos de cables sueltos.

ADVERTENCIA: Verifique que todas las conexiones estén apretadas, incluida la conexión a tierra, y que no se vea ningún cable desnudo en las conexiones de cables.

Después de hacer todas las conexiones de cables, gire las tuercas de conexión de cables hacia arriba y empuje el cableado hacia el interior de la caja de salida. Separe las conexiones de los cables blanco (neutro) y verde (conexión a tierra) a un lado de la caja de salida, y las conexiones de cable negro (corriente) al otro lado de la caja de salida.

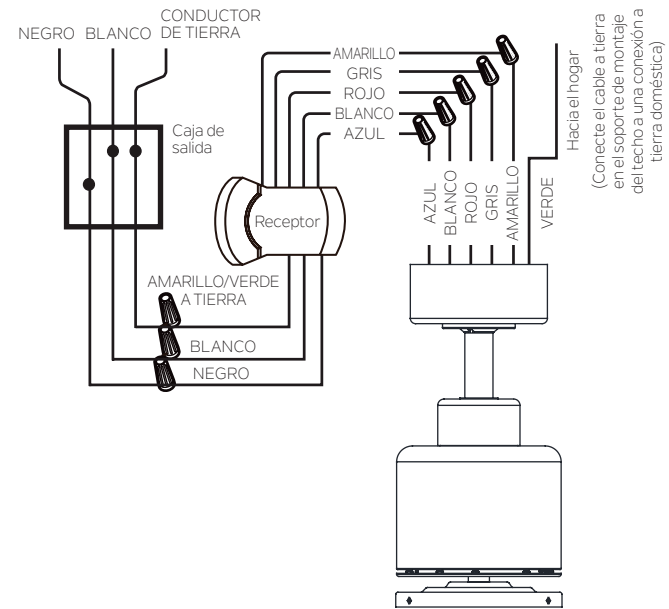


Figura 13

CONEXIONES ELÉCTRICAS (continuación)

A. CONEXIÓN DEL VENTILADOR DE TECHO AL CABLE RECEPTOR

Paso 1. Conecte el cable azul del ventilador (motor) al cable azul del receptor. Conecte el cable blanco del ventilador (motor) al cable blanco del receptor. Conecte el cable rojo del ventilador (motor) al cable rojo del receptor. Conecte el cable gris del ventilador (motor) al cable gris del receptor. Conecte el cable amarillo del ventilador (motor) al cable amarillo del receptor. (Figura 13)

NOTA: Si **NO** planea usar el kit de luz con su ventilador en este momento, **NO** conecte los cables azules o los cables blancos. En vez de ello, tape cada cable azul y blanco individual con tuercas para cables.

B. CONEXIÓN DEL RECEPTOR AL CABLE DOMÉSTICO

ADVERTENCIA: Si los cables de su casa son de colores diferentes a los que se mencionan en este manual, deténgase inmediatamente. Se recomienda un electricista profesional.

Paso 1. El cable negro del receptor (CA EN V) se conecta al cable negro (VIVO) de la caja de salida del techo (Fig. 13).

Paso 2. El cable blanco (CA EN N) del receptor se conecta al cable blanco (NEUTRO) de la caja de salida del techo (Fig. 13).

Paso 3. El cable de conexión a tierra (amarillo/verde) del receptor se conecta al conductor de conexión a tierra de la caja de salida del techo (Fig. 13).

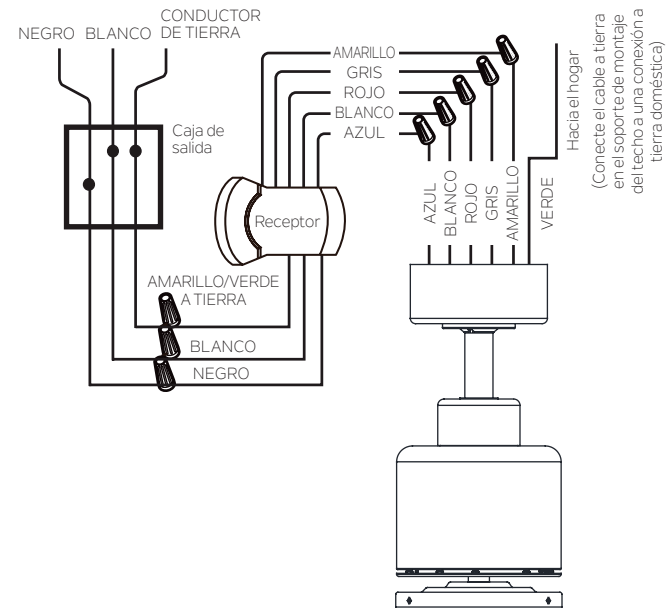


Figura 13

FINALIZACIÓN DE LA INSTALACIÓN DEL MOTOR

PRECAUCIÓN: Para evitar posibles descargas eléctricas, asegúrese de haber desconectado la energía en el panel del circuito principal.

Paso 1. Meta todas las conexiones cuidadosamente en la caja de salida del techo.

Paso 2. Deslice cuidadosamente el florón hacia arriba hasta el soporte de montaje del techo y coloque una de las ranuras del orificio de la llave en el florón, sobre el tornillo del soporte de montaje del techo. Gire el dosel hasta que la cabeza del tornillo se bloquee en su lugar en la sección estrecha del orificio de la llave. **(Figura 14)**

Paso 3. Alinee el otro orificio del florón con el otro orificio del soporte de montaje del techo. Vuelva a instalar el tornillo que retiró anteriormente **(COLGANDO EL VENTILADOR, Paso 2/Figura 5)** en los orificios alineados. Apriete ambos tornillos para fijarlos. Fije el anillo de ajuste del florón a las cabezas de los tornillos, introduciendo las cabezas de los tornillos en el anillo de ajuste del florón y girando el anillo de ajuste del florón (en el sentido de las agujas del reloj).

NOTA: Ajuste los tornillos según sea necesario hasta que el florón y el anillo de ajuste del florón queden firmemente ajustados. **(Figura 14)**

ADVERTENCIA: Asegúrese de que la “lengüeta de retención” en la parte inferior del soporte de montaje en el techo esté correctamente asentada en la “ranura de registro” en el lado de la bola de suspensión antes de fijar el florón al soporte de montaje en el techo. Si la “lengüeta de retención” no se asienta correctamente, se podrían dañar los cables eléctricos cuando se cambia la dirección del aspa del ventilador de techo mientras el ventilador está en funcionamiento.

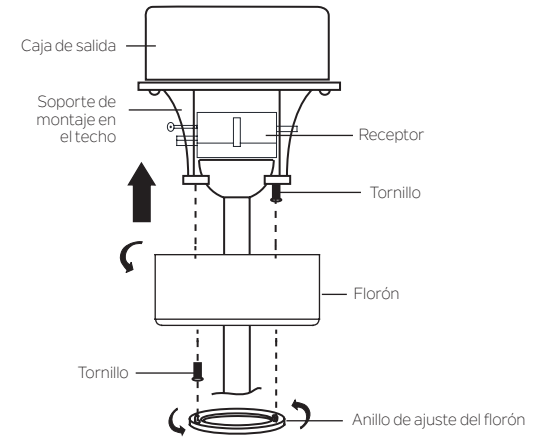


Figura 14

INSTALACIÓN DE LAS ASPAS DEL VENTILADOR

PRECAUCIÓN: Para reducir el riesgo de descarga eléctrica, desconecte el circuito de suministro eléctrico al ventilador antes de instalar las aspas.

Paso 1. Alinee los orificios del aspa del ventilador con los orificios del conjunto del motor y asegure el aspa del ventilador al conjunto del motor con las arandelas de fibra y los tornillos del aspa proporcionados. Apriete los tornillos del aspa para fijar las aspas del ventilador al conjunto del motor. (Figura 15)

NOTA: Instale las arandelas de fibra y los tornillos del aspa a través de la ranura abierta en la placa de montaje.

Paso 2. Repita este proceso para fijar las otras dos aspas.

INSTALACIÓN DE LA TAPA DECORATIVA

PRECAUCIÓN: Para reducir el riesgo de descarga eléctrica, desconecte el circuito de suministro eléctrico al ventilador antes de instalar la tapa decorativa.

Paso 1. Retire los tres tornillos de montaje preinstalados del borde exterior de la tapa decorativa. Conserve los tornillos de montaje. (Figura 16)

Paso 2. Coloque la tapa decorativa sobre la placa de montaje, alineando los orificios de la tapa decorativa con los orificios de la placa de montaje. Enrosque los tres tornillos de montaje que se retiraron en la tapa decorativa y la placa de montaje, y apriételos para fijarlos. (Figura 16)

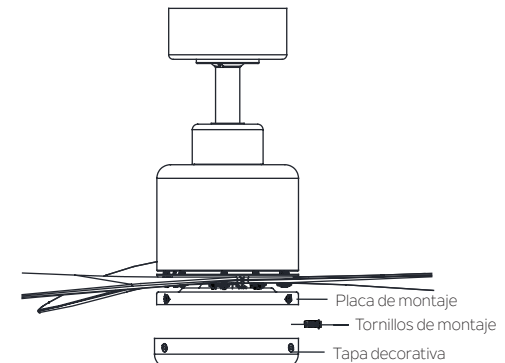
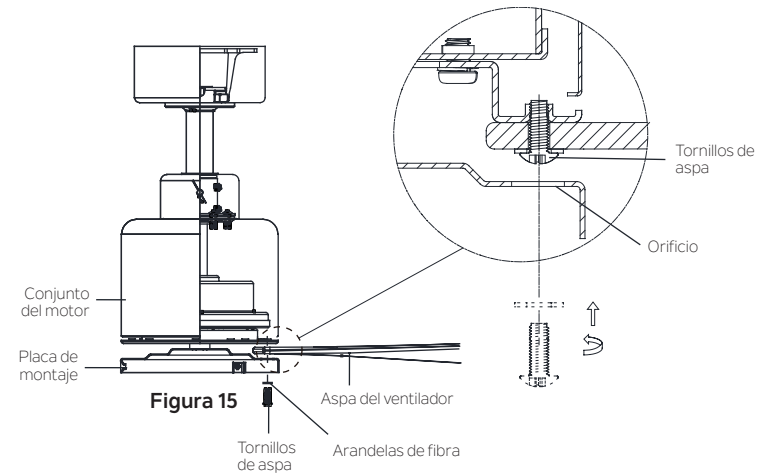


Figura 16

INSTALAR LA PLACA DE PARED COOL TOUCH™

PRECAUCIÓN: Para evitar posibles descargas eléctricas, asegúrese de haber desconectado la energía en el panel del circuito principal.

ADVERTENCIA: Todo el cableado debe instalarse de acuerdo con el Código Eléctrico Nacional (National Electrical Code) y los códigos eléctricos locales. La instalación eléctrica debe ser realizada por un electricista calificado.

Seleccione una ubicación para instalar la placa de pared CoolTouch™. Puede reemplazar un interruptor de pared existente o instalar la placa de pared en CUALQUIER superficie plana.

Opción 1: Instale la placa de pared utilizando una caja de salida con interruptor de pared existente.

PRECAUCIÓN: La instalación del interruptor debe cumplir con todos los códigos eléctricos locales y nacionales. Asegúrese de que la energía eléctrica esté APAGADA en el panel principal antes de continuar.

Paso 1. Retire la placa de pared existente y el interruptor antiguo de la caja de salida de pared. Conecte los cables NEGROS (corriente) con una tuerca para cables y empújelos para regresarlos al interior de la caja de salida. **(Figura 17)**

Paso 2. Instale la placa de metal y la placa de pared CoolTouch™ en la caja de salida existente en la pared con los 4 tornillos provistos. Introduzca los dos tapones de plástico en la placa de pared. **(Figura 18)**

Opción 2: Instale la placa de pared en CUALQUIER superficie plana.

Paso 1. Seleccione la ubicación deseada y use la placa de pared CoolTouch™ para marcar la ubicación de los orificios de montaje.

Paso 2. Utilice los anclajes para paneles de yeso y los tornillos proporcionados para terminar la instalación.

INSTALACIÓN DEL TRANSMISOR

Paso 1. Inserte el transmisor en la placa de pared insertando primero la parte inferior del transmisor y luego presionando la parte superior del transmisor en el bolsillo. El transmisor funcionará completamente desde este lugar o puede retirarlo y usarlo como dispositivo portátil. **(Figura 19)**

Paso 2. Para quitar el transmisor de la placa de pared, presione el botón de liberación y el transmisor le caerá en la mano.

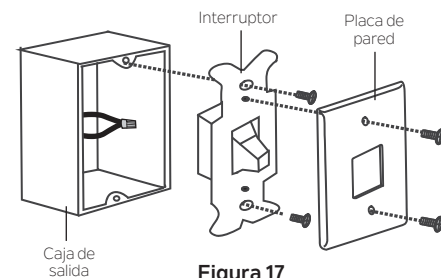


Figura 17

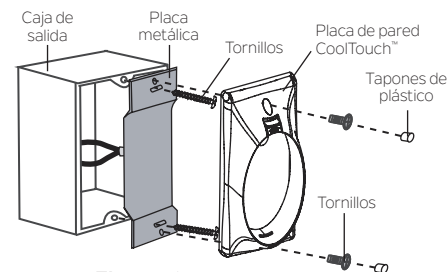


Figura 18

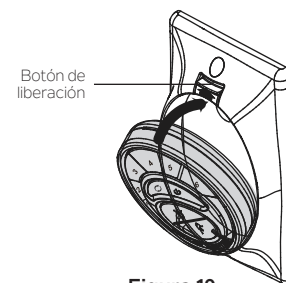


Figura 19

INSTRUCCIONES DE FUNCIONAMIENTO

INSTALACIÓN DE LAS BATERÍAS DEL TRANSMISOR (Figura 20)

Paso 1. Retire el tornillo de seguridad y la cubierta de la parte posterior del transmisor. **(Figura 20)** Instale dos baterías CR2032 de 3 V (incluidas) con el lado + orientado hacia arriba.

NOTA: Si las baterías no se usan durante períodos prolongados (varios meses), retírelas para evitar daños en el transmisor.

Paso 2. Vuelva a colocar la cubierta posterior del transmisor y el tornillo de seguridad.

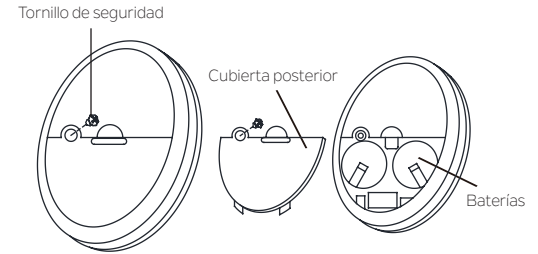


Figura 20



ADVERTENCIA: Peligro de quemaduras químicas. Mantenga las baterías fuera del alcance de los niños. Este producto contiene una batería de botón/moneda de litio. Si se ingiere o entra en el cuerpo una batería de botón o de botón de litio nueva o usada, puede causar quemaduras internas graves y provocar la muerte en tan solo 2 horas. Siempre asegure completamente el compartimiento de la batería. Si el compartimento y las baterías no cierran bien, deje de utilizar el producto, retire las baterías y manténgalo fuera del alcance de los niños. Si cree que las baterías pueden haber sido ingeridas o introducidas en cualquier parte del cuerpo, busque atención médica de inmediato.

- a) Las celdas se desecharán adecuadamente, incluso manteniéndolas fuera del alcance de los niños.
- b) Incluso las celdas usadas pueden causar lesiones.

INSTRUCCIONES DE FUNCIONAMIENTO (continuación)

INTERRUPTOR DE SELECCIÓN DE LA FUNCIÓN DE LUZ (Figura 21)

D = "Atenuación"

O = "Solo encendido/apagado, sin atenuación"

NOTA: El interruptor se ha configurado de fábrica en "D".

NOTA: Si se instala un kit de luz LED atenuable en este ventilador, el interruptor siempre debe fijarse en "D".

NOTA: La configuración de encendido/apagado solamente está diseñada para usarse con kits/lámparas de luz LED no atenuables y kits de luz que tienen lámparas fluorescentes.

ADVERTENCIA: Si el interruptor "D/O" no está configurado correctamente, el sistema de control de iluminación funcionará erráticamente y podría dañar su ventilador de techo.

EMPAREJAMIENTO DEL TRANSMISOR CON EL VENTILADOR (Fig. 21)

NOTA: El transmisor se emparejó con el receptor del ventilador en la fábrica. No es necesario cambiar la frecuencia. Si el ventilador no funciona o si desea instalar un ventilador adicional con un código de frecuencia separado, siga el Paso 2 para emparejar un transmisor con un receptor.

ADVERTENCIA: Asegúrese de que la energía esté completamente desconectada antes de comenzar este proceso.

IMPORTANTE: El motor del ventilador y las aspas del ventilador se **DEBEN** instalar antes de que pueda comenzar el procedimiento de emparejamiento.

Paso 1. Retire el tornillo de seguridad y la cubierta de la batería de la parte posterior del transmisor. Conserve el tornillo de seguridad.

Paso 2. Restablezca la alimentación al circuito derivado del ventilador de techo en el disyuntor o en la caja de fusibles. Dentro de los 30 segundos posteriores a la restauración de la alimentación, mantenga presionado el botón APRENDER en la parte posterior del transmisor (**Figura 21**) durante 3 segundos. El ventilador se encenderá a velocidad media.

Esto confirma que el proceso de emparejamiento ha terminado. El transmisor ahora estará emparejado con su ventilador y estará listo para usarse.

Paso 3. Pruebe diferentes configuraciones de velocidad en el transmisor para asegurarse de que el ventilador funciona por completo. Si la programación no tiene éxito, vuelva a desconectar la alimentación por completo y vuelva a intentar el paso 2.

Paso 4. Vuelva a instalar la cubierta de la batería y el tornillo de seguridad en la parte posterior del transmisor.

NOTA: Conserve esta página en caso de que se necesite una reprogramación futura o se agregue un control remoto adicional.

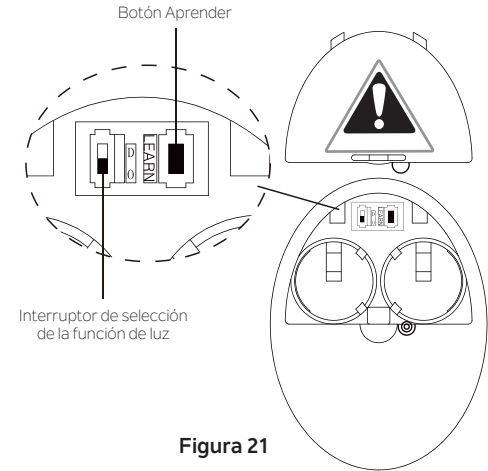






Figura 21

INSTRUCCIONES DE FUNCIONAMIENTO (continuación)

FUNCIONAMIENTO DEL TRANSMISOR (Figura 22)

-  Botón APAGAR
Presiónelo una vez para detener el ventilador.
-  Botones de control de velocidad del ventilador
1 es la velocidad más baja y 6 es la velocidad más alta.
Presione uno de los botones para encender el ventilador a la velocidad correspondiente o para cambiar de velocidad.
-  Botones de luz
Presione para controlar las luces del ventilador si hay un kit de luces instalado.
NOTA: Este ventilador no incluye un kit de luces.
Presione una vez para encender o apagar la luz.
ATENUACIÓN: Manténgalo presionado para atenuar o intensificar la luz al nivel deseado y luego suéltelo.
-  Botón de retroceso
Mientras el ventilador está funcionando, presione el botón de reversa una vez y el ventilador invertirá la dirección de giro.

FUNCIÓN DE RETROCESO

Para activar la función de reversa de este ventilador, presione el botón "Reversa" en el transmisor mientras el ventilador está funcionando.

Clima cálido: avance (el ventilador gira en sentido contrario a las manecillas del reloj); un flujo de aire hacia abajo crea un efecto refrescante como se muestra en la **(Figura 23)**. Esto le permite configurar su aire acondicionado en una temperatura más alta sin afectar su comodidad.

Clima frío: reversa (el ventilador gira en el sentido de las manecillas del reloj); un flujo de aire ascendente retira el aire caliente del techo como se muestra en la **(Figura 24)**. Esto le permite configurar su unidad de calefacción en una temperatura más baja sin afectar su comodidad.

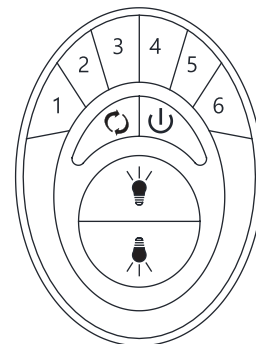


Figura 22

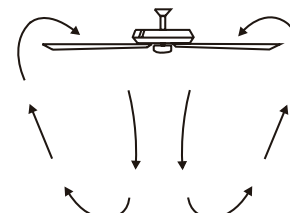


Figura 23

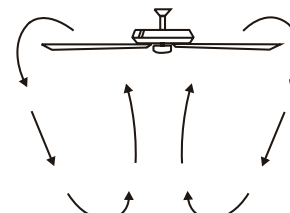


Figura 24

RESOLUCIÓN DE PROBLEMAS

Problema

Solución

El ventilador no arranca.

1. Verifique los fusibles o disyuntores del circuito.
2. Asegúrese de que las baterías del transmisor estén instaladas correctamente con el lado + hacia arriba y que todavía tengan carga. **NOTA:** Al presionar un botón en el transmisor, la luz de fondo del transmisor se encenderá si las baterías aún tienen carga.
3. Verifique todas las conexiones eléctricas para asegurar un contacto adecuado. **PRECAUCIÓN: Asegúrese de que la alimentación principal esté apagada cuando verifique cualquier conexión eléctrica.**

El ventilador suena ruidoso.

1. Asegúrese de que todos los tornillos de la carcasa del motor estén ajustados.
2. Asegúrese de que los tornillos que sujetan los soportes de las aspas del ventilador al motor estén apretados.
3. Asegúrese de que las conexiones de tuercas para cables no se froten entre sí ni con la pared interior de la caja del interruptor. **PRECAUCIÓN: Asegúrese de que la energía principal esté apagada.**
4. Permita un período de “rodaje” de 24 horas. La mayor parte del ruido asociado con un ventilador nuevo desaparecerá durante este tiempo.
5. Si usa un kit de luz opcional, asegúrese de que los tornillos que sujetan la pantalla de cristal estén bien apretados. Asegúrese de que las bombillas no toquen ningún otro componente.
6. No conecte este ventilador a controles de velocidad variable montados en la pared. No son compatibles con motores de ventiladores de techo o controles remotos.
7. Asegúrese de que el florón superior esté a poca distancia del techo. No debe tocar el techo.

RESOLUCIÓN DE PROBLEMAS (continuación)

Problema

Solución

El ventilador presenta oscilación.

1. Verifique que todas las aspas y los tornillos de los brazos de las aspas estén firmes.
2. La mayoría de los problemas de oscilación del ventilador se deben a que los niveles de las aspas no son iguales. Compruebe este nivel seleccionando un punto en el techo por encima de la punta de una de las aspas. Mida esta distancia. Gire el ventilador hasta que se coloque la siguiente aspa para medirla. Repita la operación para cada aspa. La desviación de las distancias debe ser igual con una tolerancia de 3 mm (1/8 in).
3. Si aún se nota oscilación de las aspas, intercambiar dos aspas adyacentes (una al lado de la otra) puede redistribuir el peso y posiblemente produzca un funcionamiento más fluido.

Mal funcionamiento del control remoto.

1. Los ventiladores de techo con sistemas de control remoto NO PUEDEN funcionar junto con ningún otro sistema de control, EXCEPTO un interruptor de pared de encendido/apagado básico si se desea.

ADVERTENCIA: PARA REDUCIR EL RIESGO DE LESIONES PERSONALES Y PARA ASEGURAR EL FUNCIONAMIENTO ADECUADO DE SU VENTILADOR DE TECHO, NUNCA CONECTE LOS CONJUNTOS DE LAS ASPAS HASTA QUE EL VENTILADOR DE TECHO SE HAYA MONTADO EN EL TECHO. NO DOBLE LAS ASPAS MIENTRAS INSTALA, BALANCEA O LIMPIA EL VENTILADOR. NO INTRODUZCA OBJETOS EXTRAÑOS ENTRE LAS ASPAS DEL VENTILADOR QUE ESTÁN GIRANDO.

INFORMACIÓN DE LA FCC

Este dispositivo cumple con la parte 15 de las normas de la Comisión Federal de Comunicaciones (Federal Communications Commission, FCC). El funcionamiento está sujeto a las siguientes dos condiciones:

- 1) este dispositivo no puede causar interferencias perjudiciales, y
- 2) este dispositivo debe aceptar cualquier interferencia recibida, incluidas interferencias que puedan causar un funcionamiento no deseado.

Nota: Este equipo ha sido probado y cumple con los límites para un dispositivo digital de Clase B, de acuerdo con la parte 15 de las normas de la FCC. Estos límites están diseñados para proporcionar una protección razonable contra interferencias perjudiciales en una instalación residencial. Este equipo genera, usa y puede irradiar energía de radiofrecuencia y, si no se instala y usa de acuerdo con las instrucciones, puede causar interferencia dañina a las comunicaciones por radio. Sin embargo, no hay garantía de que no se produzcan interferencias en una instalación en particular. Si este equipo causa interferencia dañina en la recepción de radio o televisión, lo cual se puede determinar encendiendo y apagando el equipo, se recomienda al usuario que intente corregir la interferencia mediante una o más de las siguientes medidas:

- Reorientar o reubicar la antena receptora.
- Aumentar la separación entre el equipo y el receptor.
- Conectar el equipo a una toma de corriente en un circuito diferente al que está conectado el receptor.
- Consulte con el distribuidor o con un técnico de radio/TV experimentado para obtener ayuda.

KICHLER®

www.kichler.com

KICHLER LIGHTING LLC

30455 SOLON RD.

SOLON, OH 44139, EE. UU.

SERVICIO AL CLIENTE 866.558.5706

8:00 A. M. A 5:00 P. M. EST, DE LUNES A VIERNES

REV. 6-NOV-2023

© Kichler Lighting LLC. Todos los derechos reservados.