

CAUTIONS

SAFETY INSTRUCTIONS READ THIS FIRST KEEP THESE INSTRUCTIONS

CAUTION – RISK OF SHOCK:
Disconnect Power at the main circuit breaker panel or main fusebox before starting and during the installation.

WARNING:
This fixture is intended for installation in accordance with the National Electrical Code (NEC) and all local code specifications. If you are not familiar with code requirements, installation by a certified electrician is recommended. Failure to adhere to these codes and instructions may result in serious injury and/or property damage and will void the warranty.

CLEANING:
• Always be certain that electric current is turned off before cleaning.
• Only a soft damp cloth should be used. Harsh cleaning products may damage the finish.

INSTRUCTIONS PERTAINING TO A RISK OF FIRE, OR INJURY TO PERSONS IMPORTANT SAFETY INSTRUCTIONS

Lighted lamp is HOT!

WARNING – To reduce the risk of FIRE OR INJURY TO PERSONS.

- Turn off / unplug and allow to cool before replacing lamp.
 - Lamp gets HOT quickly! Contact only switch / plug when turning on.
 - Do not touch hot lens or cowl.
 - Do not remain in light if skin feels warm. (Light is intense, it may cause "sunburn".)
 - Do not look directly at lighted lamp.
 - Keep lamp away from materials that may burn.
 - Use only with wattage and lamp marked on fixture.
 - Do not touch the inner glass envelope of the lamp at any time. Use a soft cloth. Oil from skin may damage lamp.
 - Do not operate the fixture with a damaged or missing lens.
- WARNING:** This fixture is not to be installed within 10 feet (3M) of a pool, spa or fountain.
 - This fixture is to be used only with a power unit (transformer) rated a maximum of 300 W (25 AMPS) 15 volts.
 - The unit low voltage cable shall:
 - be protected by routing in close proximity to the luminaire or fitting, or next to a building structure such as a house or deck;
 - not be buried except for a maximum 6 inches (15.2 cm) in order to connect to the main low voltage cable; and
 - have the length cut off so that it is connected to a connector within 6 inches (15.2 cm) from a building structure, a luminaire, or fitting.
 - Direct burial rated wire is to be buried a minimum of 6" (152mm) beneath the surface of the ground.

NOTE: If additional Direct Burial wire is needed, contact your local Kichler® landscape distributor.

 - 8 GA wire can be purchased in length of 250' (76 M), 15503-BK.
 - 10 GA wire can be purchased in length of 250' (76 M), 15504-BK.
 - 12 GA wire can be purchased in lengths of 100' (30 M), 15501-BK; 250' (76 M), 15502-BK; 500' (152M), 15505-BK; and 1000' (304 M), 15506-BK.
 - Fixture shall not use a tungsten halogen lamp unless the fixture is marked for use with such lamps.
 - Wiring connections must be made with approved/listed wire connection device(s) suitable for the application. Do not exceed manufacturers' wiring combination specifications for size and quantity of conductors.

CAUTION

WHEN INSTALLING KICHLER LANDSCAPE LIGHTING (LINE VOLTAGE OR LOW VOLTAGE), CARE SHOULD BE TAKEN TO KEEP CLEAR OF POTENTIALLY COMBUSTIBLE MATERIALS.

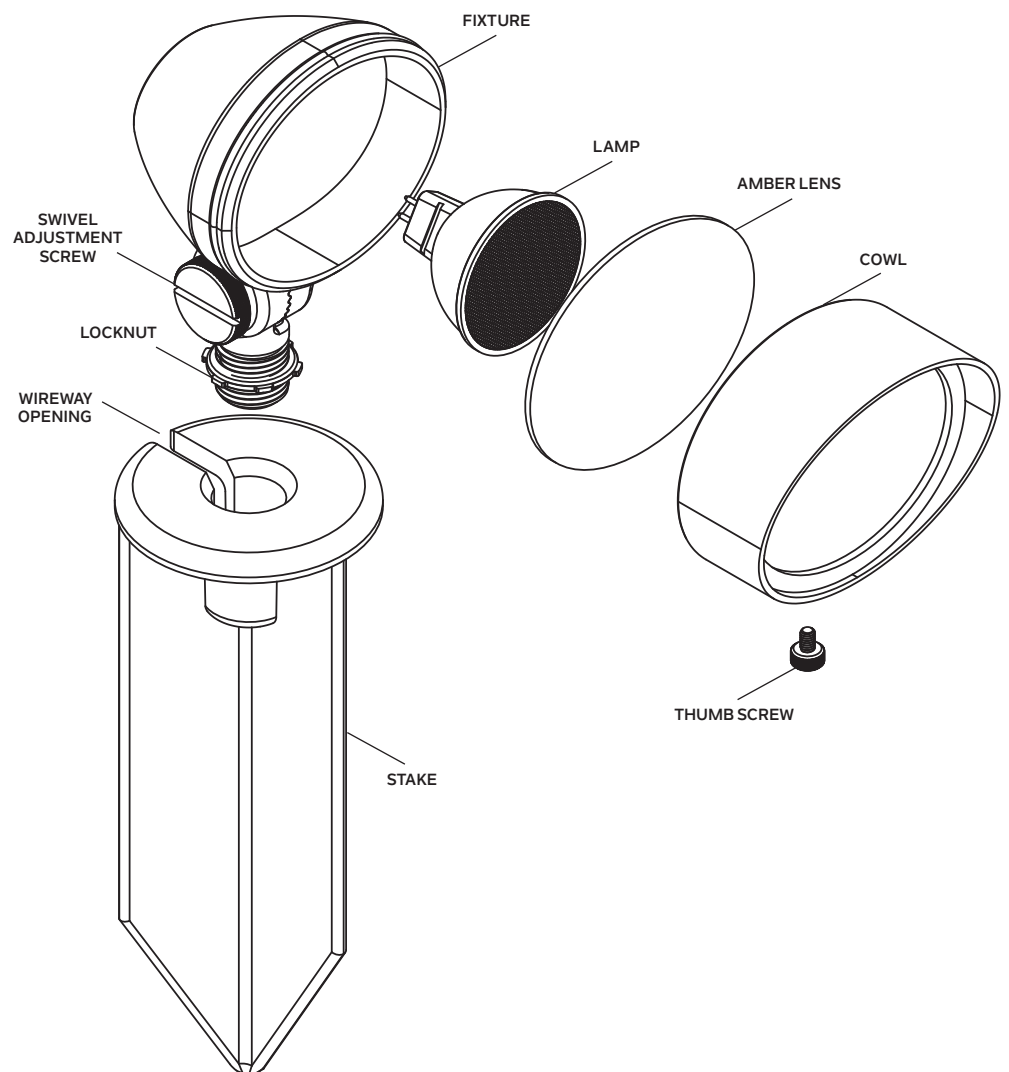
WHEN MAINTAINING THE FIXTURES, BE SURE TO REMOVE LEAVES, PINE NEEDLES, GRASS CLIPPINGS, MULCH, OR ANY DEBRIS THAT HAS ACCUMULATED ON THE LIGHT BULB, LENS, OR BODY OF THE FIXTURE.

INSTALLATION INSTRUCTIONS

- TURN OFF POWER.**
- Determine desired location for mounting fixture.
- At desired location, hammer stake into ground. To avoid damage to stake, place a board on top of stake or use a rubber mallet. If ground is hard and stake is difficult to install, make a crosscut in ground using a flat shovel.
- Clear away area in ground at wireway opening in stake.
- Unassemble cowl from fixture. Cowl is removed by loosening the thumb screw.
- Install lamp (pure white lamp provided) to socket inside accent light.

NOTE: Use caution when installing. Hold lamp by outer housing. DO NOT touch glass envelope inside. If this happens, clean lamp with denatured alcohol and a lint free cloth.
- (Optional) Add amber lens inside the cowl if a warmer output is desired.
- Install cowl onto accent light housing and then tighten the thumb screw.
- Route fixture cable through wireway opening and install fixture in stake. Care should be taken to ensure wire is not twisted. Aim fixture in desired direction and secure by tightening locknut. If necessary, use wrench or pliers for final tightening of nut.
- Adjust angle of accent light by loosening swivel adjustment screw.
- Make wire connections using supplied wire nuts following instructions on bag.

FIXTURE DIAGRAM



FCC INFORMATION

This device complies with part 15 of the FCC Rules. Operation is subject to the following two conditions:

- This device may not cause harmful interference, and
- This device must accept any interference received, including interference that may cause undesired operation.

Note: This equipment has been tested and found to comply with the limits for a Class B digital device, pursuant to part 15 of the FCC Rules. These limits are designed to provide reasonable protection against harmful interference in a residential installation. This equipment generates, uses and can radiate radio frequency energy and, if not installed and used in accordance with the instructions, may cause harmful interference to radio communications. However, there is no guarantee that interference will not occur in a particular installation. If this equipment does cause harmful interference to radio or television reception, which can be determined by turning the equipment off and on, the user is encouraged to try to correct the interference by one or more of the following measures:

- Reorient or relocate the receiving antenna.
- Increase the separation between the equipment and receiver.
- Connect the equipment into an outlet on a circuit different from that to which the receiver is connected.
- Consult the dealer or an experienced radio/TV technician for help.

PRECAUCIONES

INSTRUCCIONES DE SEGURIDAD PRIMERO LEA ESTO GUARDE ESTAS INSTRUCCIONES

PRECAUCIÓN – RIESGO DE DESCARGA ELÉCTRICA:
Desconecte la electricidad en el panel principal del interruptor automático o caja principal de fusibles antes de comenzar y durante la instalación.

ADVERTENCIA:
Este accesorio está destinado a la instalación de acuerdo con el National Electrical Code (NEC) y todas las especificaciones del código local. Si no está familiarizado con los requisitos del código, la instalación se recomienda un electricista certificado. No cumplir con estos códigos e instrucciones puede resultar en lesiones graves y/ o en daños a la propiedad y anulará la garantía.

LIMPIEZA:

- Asegúrese siempre de que la corriente eléctrica esté apagada antes de limpiar.
- Debe usarse solamente un paño húmedo y suave. Productos de limpieza abrasivos pueden dañar el acabado.

INSTRUCCIONES PERTINENTES A UN RIESGO DE INCENDIO O LESION A LAS PERSONAS

INSTRUCCIONES IMPORTANTES DE SEGURIDAD

¡La lámpara encendida es CALIENTE!

ADVERTENCIA – Para disminuir el riesgo de INCENDIO O LESION A LAS PERSONAS.

1. Apague / desenchufe y deje que se enfríe antes de cambiar la lámpara.
2. ¡La lámpara se CALIENTA rápidamente! Haga contacto del conmutador/enchufe sólo cuando encienda.
3. No toque la lente o la capucha caliente.
4. No permanezca en la luz si siente tibia la piel. (La luz es intensa, puede causar "quemaduras de sol").
5. No mire directamente a la lámpara encendida.
6. Mantenga la lámpara alejada de los materiales que puedan encenderse.
7. Use solamente con el vatiaje y la lámpara marcados en el artefacto.
8. No toque el vidrio del interior de la lámpara en ningún momento. Use un paño suave. El aceite del cuerpo puede dañar la lámpara.
9. No haga funcionar el artefacto con una lente dañada o faltante.

1. **ADVERTENCIA:** Este artefacto no debe instalarse a menos de 10 pies (3 m) de una piscina (alberca), spa o fuente.
2. Úsese este artefacto de iluminación solo con una unidad de alimentación (transformador) de una potencia nominal máxima de 300 W (25 A) y 15 voltios.
3. El cable de baja tensión de la unidad deberá:
 - a) estar protegido por un tendido cercano a la luminaria o al accesorio, o junto a una estructura de construcción como una casa o una plataforma ("deck");
 - b) no estar enterrado, salvo un máximo de 6 pulgadas (15,2 cm) para conectarse al cable principal de baja tensión; y
 - c) tener la longitud cortada de manera que se conecte a un conector a menos de 6 pulgadas (15,2 cm) de una estructura de construcción, una luminaria o un accesorio.
4. Entiérrese el cable para soterrado directo a una profundidad mínima de 152 mm (6 pulgadas) del suelo.

NOTA: si es necesario usar otro cable para soterrado directo, contacte con el distribuidor local de paisajismo de Kichler®.

 - Puede comprar cable de calibre 8 GA de una longitud de 76 m (250 pies), artículo 15503-BK.
 - Puede comprar cable de calibre 10 GA de una longitud de 76 m (250 pies), artículo 15504-BK.
 - Puede comprar cable de calibre 12 GA de una longitud de 30 m (100 pies), artículo 15501-BK; de 76 m (250 pies), artículo 15502-BK; de 152 m (500 pies), artículo 15505-BK; y de 304 m (1000 pies), artículo 15506-BK.
5. El artefacto no deberá utilizar una lámpara halógena de tungsteno a menos que el artefacto esté marcado para su uso con dichas lámparas.
6. Realice las conexiones de cables con dispositivos afines aprobados o en listas compatibles con la aplicación. No exceda las especificaciones del fabricante para el tamaño y la cantidad de los conductores correspondientes a las combinaciones de cables.

PRECAUCION

CUANDO SE INSTALE SISTEMAS DE ALUMBRADO KICHLER PARA JARDINES (YA SEA DE VOLTAJE DE LINEA O CON VOLTAJE BAJO) SE DEBE TENER CUIDADO DE MANTNERLOS ALEJADOS DE MATERIALES QUE PUEDAN SER COMBUSTIBLES EN POTENCIA.

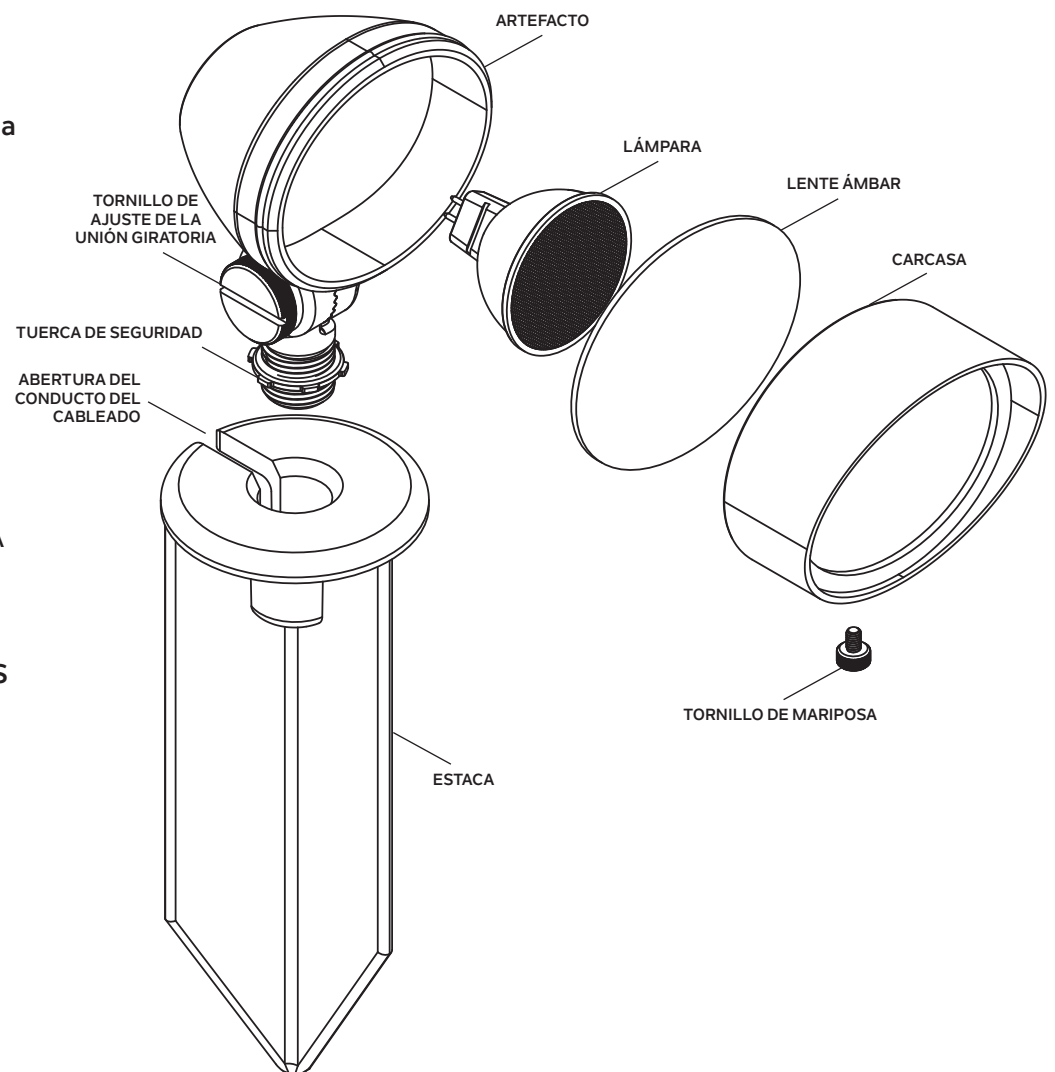
AL DAR SERVICIO DE MANTENIMIENTO A ESTOS SISTEMAS, ASEGURESE DE DESPEJAR LAS HOJAS, CONOS DE PINO, RECORTES DEL PASTO, CUBIERTA DE PAJA O CUALQUIER BASURA QUE SE HAYA ACUMULADO EN LA BOMBILLA DE LUZ, ELLENTE O EL SOPORTE DE LA BOMBILLA.

INSTRUCCIONES DE INSTALACIÓN

1. **DESCONECTE LA ELECTRICIDAD.**
2. Determine la ubicación deseada para el montaje del artefacto.
3. En el lugar deseado, martillee la estaca en el suelo. Para evitar dañar la estaca, coloque una tablita encima de la estaca o utilice un mazo de goma. Si el suelo es duro y la estaca es difícil de instalar, haga un corte transversal en el suelo utilizando una pala plana.
4. Despeje la zona del suelo en la abertura del conducto del cableado en la estaca.
5. Desmonte la carcasa del artefacto. La carcasa se retira aflojando el tornillo de mariposa.
6. Instale la lámpara (lámpara blanca pura suministrada) en el portalámparas dentro de la luminaria de realce.

NOTA: Tenga cuidado al instalarla. Sujete la lámpara por la cubierta exterior. NO toque la envoltura de vidrio del interior. Si esto ocurre, limpie la lámpara con alcohol desnaturalizado y un paño sin pelusas..
7. (Opcional) Añada la lente ámbar dentro de la carcasa si desea una salida más cálida.
8. Instale la carcasa en la cubierta de la luminaria de realce y luego apriete el tornillo de mariposa.
9. Pase el cable del artefacto a través de la abertura del conducto del cableado e instale el artefacto en la estaca. Tenga cuidado de que el cable no se retuerza. Oriente el artefacto en la dirección deseada y asegúrelo apretando la tuerca de seguridad. Si es necesario, utilice una llave inglesa o unas pinzas para el apriete final de la tuerca.
10. Ajuste el ángulo de la luminaria de realce aflojando el tornillo de ajuste de la unión giratoria.
11. Realice las conexiones de los cables con las tuercas suministradas siguiendo las instrucciones de la bolsa.

DIAGRAMA DE ACCESORIOS



INFORMACIÓN DE LA FCC

Este dispositivo cumple con la parte 15 de las Reglas de la FCC. La operación es sujeta a las dos condiciones siguientes:

1. Este dispositivo no puede causar interferencia dañina, y
2. Este dispositivo debe aceptar cualquier interferencia recibida, incluyendo interferencias que puedan causar un funcionamiento no deseado.

Nota: Este equipo ha sido probado y cumple con los límites para un dispositivo digital de Clase B, de acuerdo con la parte 15 de las Reglas de la FCC. Estos límites están diseñados para proveer protección razonable contra interferencias dañinas en una instalación residencial. Este equipo genera, utiliza y puede irradiar energía de radiofrecuencia y, si no se instala y utiliza de acuerdo con las instrucciones, puede causar interferencias en las comunicaciones por radio. Sin embargo, no hay garantía que no se produzcan interferencias en una instalación en particular. Si este equipo causa interferencia perjudicial a la recepción de radio o televisión, que puede determinarse encender y apagar el equipo, se recomienda al usuario que intente corregir la interferencia mediante una o más de las siguientes medidas:

- Reorientar o reubicar la antena receptora.
- Aumente la separación entre el equipo y el receptor.
- Conecte el equipo a una toma de corriente en un circuito distinto al que está conectado el receptor.
- Consulte al distribuidor oa un técnico de radio / TV experimentado para obtener ayuda.

INSTRUCTIONS:
For Assembling and Installing Fixtures in Canada
Pour L'assemblage et L'installation Au Canada

OUTDOOR USE ONLY
DOM ETRE INSTALLE A L'EXTERIEUR

CAUTIONS

SAFETY INSTRUCTIONS READ THIS FIRST KEEP THESE INSTRUCTIONS

CAUTION – RISK OF SHOCK:
Disconnect Power at the main circuit breaker panel or main fusebox before starting and during the installation.

WARNING:
This fixture is intended for installation in accordance with the Canadian Electrical Code (CEC) and all local code specifications. If you are not familiar with code requirements, installation by a certified electrician is recommended. Failure to adhere to these codes and instructions may result in serious injury and/or property damage and will void the warranty.

CLEANING:

- Always be certain that electric current is turned off before cleaning.
- Only a soft damp cloth should be used. Harsh cleaning products may damage the finish.

INSTRUCTIONS PERTAINING TO A RISK OF FIRE, OR INJURY TO PERSONS IMPORTANT SAFETY INSTRUCTIONS

Lighted lamp is HOT!

WARNING – To reduce the risk of FIRE OR INJURY TO PERSONS.

1. Turn off / unplug and allow to cool before replacing lamp.
2. Lamp gets HOT quickly! Contact only switch / plug when turning on.
3. Do not touch hot lens or cowl.
4. Do not remain in light if skin feels warm. (Light is intense, it may cause "sunburn".)
5. Do not look directly at lighted lamp.
6. Keep lamp away from materials that may burn.
7. Use only with wattage and lamp marked on fixture.
8. Do not touch the inner glass envelope of the lamp at any time. Use a soft cloth. Oil from skin may damage lamp.
9. Do not operate the fixture with a damaged or missing lens.

FOR USE WITH LANDSCAPE LIGHTING SYSTEMS ONLY.

1. The device is accepted as a component of a landscape lighting system where the suitability of the combination shall be determined by CSA or local inspection authorities having jurisdiction.
2. Fixture shall be connected to an extra low voltage transformer approved for use with landscape lighting systems.
3. This fixture is to be connected to a secondary wiring of the following type:
 - 12 GA 60°C minimum type;
 - SPT-3 suitable for outdoor use; or
 - approved landscape lighting cable.
4. Fixture shall not use a tungsten halogen lamp unless the fixture is marked for use with such lamps.

CAUTION

WHEN INSTALLING KICHLER LANDSCAPE LIGHTING (LINE VOLTAGE OR LOW VOLTAGE), CARE SHOULD BE TAKEN TO KEEP CLEAR OF POTENTIALLY COMBUSTIBLE MATERIALS.

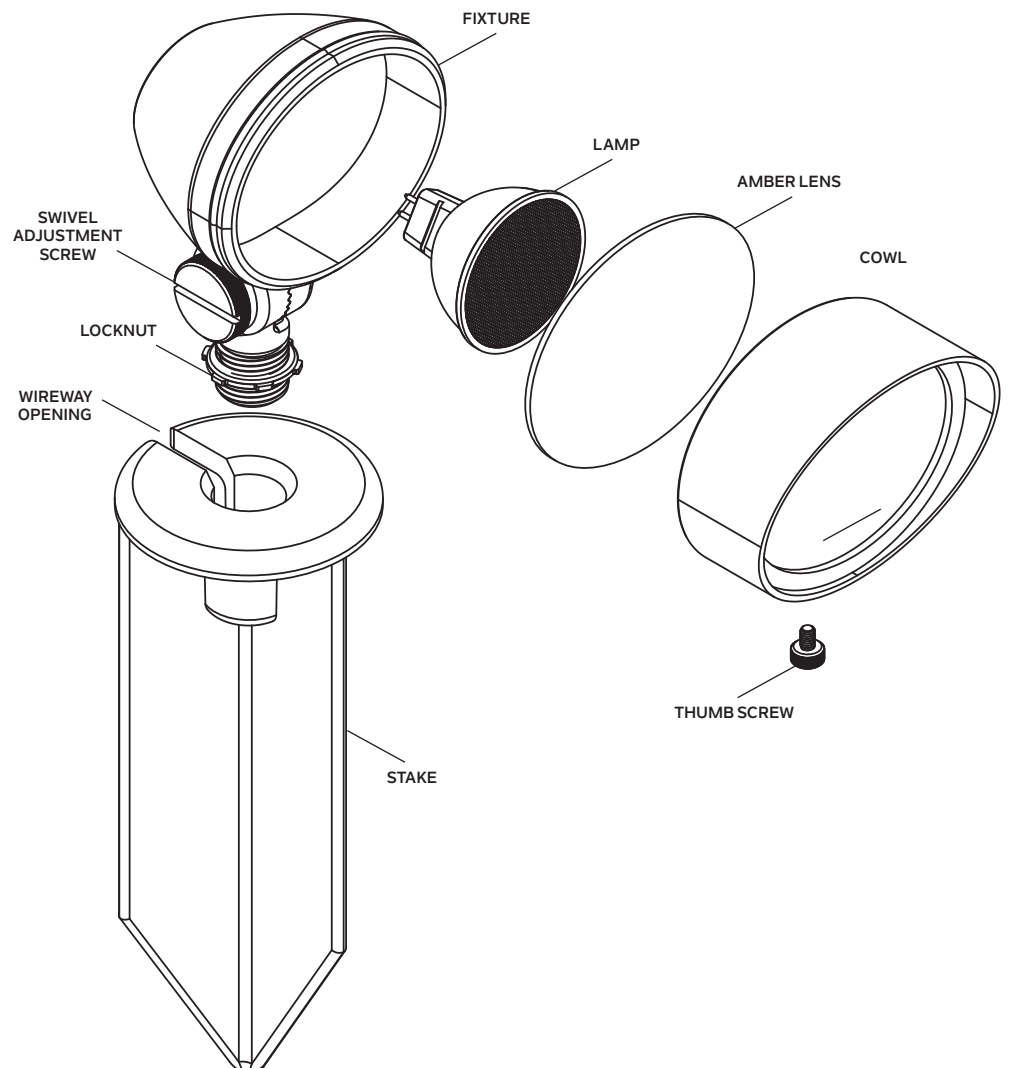
WHEN MAINTAINING THE FIXTURES, BE SURE TO REMOVE LEAVES, PINE NEEDLES, GRASS CLIPPINGS, MULCH, OR ANY DEBRIS THAT HAS ACCUMULATED ON THE LIGHT BULB, LENS, OR BODY OF THE FIXTURE.

INSTALLATION INSTRUCTIONS

1. **TURN OFF POWER.**
2. Determine desired location for mounting fixture.
3. At desired location, hammer stake into ground. To avoid damage to stake, place a board on top of stake or use a rubber mallet. If ground is hard and stake is difficult to install, make a crosscut in ground using a flat shovel.
4. Clear away area in ground at wireway opening in stake.
5. Unassemble cowl from fixture. Cowl is removed by loosening the thumb screw.
6. Install lamp (pure white lamp provided) to socket inside accent light.

NOTE: Use caution when installing. Hold lamp by outer housing. DO NOT touch glass envelope inside. If this happens, clean lamp with denatured alcohol and a lint free cloth.
7. (Optional) Add amber lens inside the cowl if a warmer output is desired.
8. Install cowl onto accent light housing and then tighten the thumb screw.
9. Route fixture cable through wireway opening and install fixture in stake. Care should be taken to ensure wire is not twisted. Aim fixture in desired direction and secure by tightening locknut. If necessary, use wrench or pliers for final tightening of nut.
10. Adjust angle of accent light by loosening swivel adjustment screw.
11. Make wire connections using supplied wire nuts following instructions on bag.

FIXTURE DIAGRAM



FCC INFORMATION

This device complies with part 15 of the FCC Rules. Operation is subject to the following two conditions:

1. This device may not cause harmful interference, and
2. This device must accept any interference received, including interference that may cause undesired operation.

Note: This equipment has been tested and found to comply with the limits for a Class B digital device, pursuant to part 15 of the FCC Rules. These limits are designed to provide reasonable protection against harmful interference in a residential installation. This equipment generates, uses and can radiate radio frequency energy and, if not installed and used in accordance with the instructions, may cause harmful interference to radio communications. However, there is no guarantee that interference will not occur in a particular installation. If this equipment does cause harmful interference to radio or television reception, which can be determined by turning the equipment off and on, the user is encouraged to try to correct the interference by one or more of the following measures:

- Reorient or relocate the receiving antenna.
- Increase the separation between the equipment and receiver.
- Connect the equipment into an outlet on a circuit different from that to which the receiver is connected.
- Consult the dealer or an experienced radio/TV technician for help.

INSTRUCTIONS:
For Assembling and Installing Fixtures in Canada
Pour L'assemblage et L'installation Au Canada

OUTDOOR USE ONLY
DOM ETRE INSTALLE A L'EXTERIEUR

PRÉCAUTIONS

LIRE TOUTES LES DIRECTIVES AVEC SOIN AVANT DE COMMENCER L'INSTALLATION CONSERVER CES DIRECTIVES

ATTENTION – RISQUE DE DÉCHARGES ÉLECTRIQUES:
Couper le courant au niveau du panneau du disjoncteur du circuit principal ou de la boîte à fusibles principale avant de procéder à l'installation.

ATTENTION:
Ce luminaire doit être installé conformément aux Codes D'électricité Canadien (CEC) et satisfaire toutes les spécifications des codes locaux. Si vous ne connaissez pas les exigences de ces codes, il est recommandé de confier l'installation à un électricien certifié. Ne pas se conformer à ces codes et directives pourrait provoquer des blessures sérieuses et/ou des dommages matériels et rendre la garantie non valide.

NETTOYAGE :

- Soyez toujours certain que l'alimentation électrique du luminaire est fermée avant le nettoyage.
- N'utilisez qu'un chiffon doux humide. Les produits de nettoyage acides/abrasifs peuvent endommager le fini.

INSTRUCTIONS POUR EVITER TOUT RISQUE D'INCENDIE OU DE BLESSURE

INSTRUCTIONS DE SECURITE IMPORTANTES

Une lampe allumée est BRULANTE!

AVERTISSEMENT – Pour éviter tout risque d'INCENDIE OU DE BLESSURE.

1. Éteindre ou débrancher l'appareil et attendre que la lampe refroidisse avant de la remplacer.
2. La lampe chauffe rapidement! Ne toucher que l'interrupteur / la prise lorsque vous l'allumez.
3. Ne pas toucher la lentille ou le capot lorsqu'ils sont chauds.
4. Ne pas rester près de la lampe si vous ressentez la chaleur dégagée (La lumière est intense et risque de brûler comme un "coup de soleil").
5. Ne pas regarder directement l'ampoule lorsqu'elle est allumée.
6. Garder la lampe à distance de matériaux qui risquent de prendre feu.
7. N'utiliser la puissance et la lampe que selon les valeurs indiquées sur l'appareil.
8. Ne jamais toucher l'enveloppe en verre à l'intérieur de la lampe. Utiliser un chiffon doux. L'huile de la peau risque d'endommager la lampe.
9. Ne pas utiliser l'appareil sans lentille ou si cette dernière est endommagée.

A UTILISER UNIQUEMENT POUR LES SYSTÈMES D'ÉCLAIRAGE PAYSAGER

1. Le dispositif est accepté en tant que composant d'un système d'éclairage paysager lorsque la compatibilité de la combinaison doit être déterminée par CSA ou les autorités d'inspection locales ayant compétence.
2. L'appareil doit être connecté à un transformateur supplémentaire à basse tension approuvé pour une utilisation avec les systèmes d'éclairage paysager.
3. Cet appareil doit être connecté à un câblage secondaire du type suivant:
 - 12GA 60°C type minimum;
 - SPT-3 compatible pour utilisation extrême;
 - ou câble d'éclairage paysager agréé.
4. Le luminaire ne doit pas utiliser de lampe halogène tungstène à moins d'une indication sur le luminaire.

ATTENTION

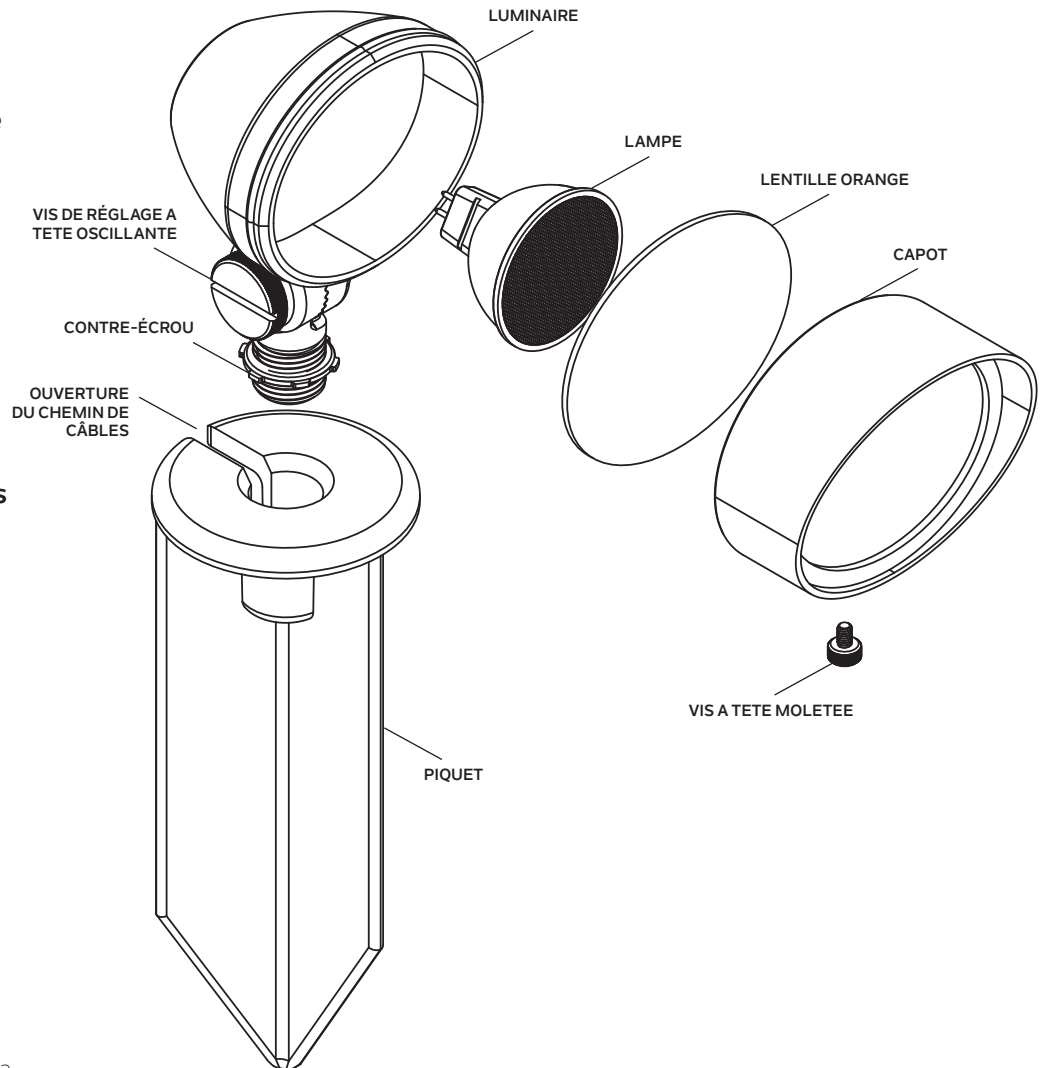
LORS DE L'INSTALLATION D'ÉCLAIRAGE DE JARDIN KICHLER (TENSION DU SECTEUR OU BASSE TENSION), PRENEZ SOIN DE LE MAINTENIR DÉGAGÉ DE TOUT MATÉRIEL COMBUSTIBLE.

LORS DE L'ENTRETIEN DE LA LAMPE, ASSUREZ-VOUS DE RETIRER LES FEUILLES, LES AIGUILLES DE PIN, LES BRINS D'HERBE, L'HUMUS, ET TOUT DÉBRIS QUI S'EST ACCUMULÉ SUR L'AMPOULE DE LA LAMPE, LE DIFFUSEUR OU LE CORP DE LA LAMPE.

INSTRUCTIONS D'INSTALLATION

1. **COUPER LE COURANT.**
2. Déterminez l'emplacement pour l'installation du luminaire.
3. À l'endroit choisi, enfoncez le piquet dans le sol. Pour ne pas endommager le piquet, placez une plaque en haut du piquet ou un maillet en caoutchouc. Si le sol est dur et que le piquet est difficile à installer, creusez un trou en croisé dans le sol à l'aide d'une pelle plate.
4. Nettoyez la terre au niveau de l'ouverture du chemin de câble dans le piquet.
5. Démontez le capot du luminaire. Enlevez le capot en desserrant la vis à tête moletée.
6. Installez la lampe (blanc pur fournie) dans la douille à l'intérieur de la lumière d'accentuation.
REMARQUE : Prendre toutes les précautions nécessaires pendant l'installation. Maintenir l'ampoule par le boîtier externe. NE PAS TOUCHER le verre à l'intérieur. Si la peau entre en contact avec l'ampoule, nettoyer l'ampoule avec de l'alcool dénaturé et un tissu non pelucheux.
7. (En option) Ajoutez une lentille orange à l'intérieur du capot si une sortie plus chaude est souhaitée.
8. Installez le capot sur le boîtier de la lumière d'accentuation et serrez ensuite la vis à tête moletée.
9. Acheminez le câble du luminaire par l'ouverture du chemin de câbles et vissez le luminaire dans le piquet. Prenez toutes les précautions nécessaires pour ne pas tordre le fil. Dirigez le luminaire dans la direction souhaitée et fixez-le en serrant le contre-écrou. Si nécessaire, utilisez une clé ou une pince pour le serrage final de l'écrou.
10. Ajustez l'angle de l'éclairage d'accentuation en desserrant la vis de réglage à tête oscillante.
11. Effectuez le raccordement des connecteurs en utilisant écrou de fil et en suivant les instructions sur le sac.

DIAGRAMME D'APPAREILS



FCC INFORMATION

Cet appareil est conforme à la section 15 de la réglementation de la FCC. L'exploitation est soumise aux deux conditions suivantes :

1. Cet équipement ne doit pas causer d'interférences nuisibles, et
2. Cet équipement doit accepter toute interférence reçue, y compris les interférences risquant d'engendrer un fonctionnement indésirable.

Remarque: Des tests ont confirmé que ce matériel respecte les limites d'un dispositif numérique de catégorie B, en vertu de la section 15 de la réglementation de la FCC. Ces limites ont été conçues pour fournir une protection raisonnable contre le brouillage nuisible d'une installation résidentielle. Cet équipement génère, utilise et peut rayonner de l'énergie radiofréquence et, s'il n'est pas installé et utilisé selon les instructions, peut causer de l'interférence nuisible aux communications de radio. Cependant, il est néanmoins possible qu'il y ait de l'interférence dans une installation en particulier. Si cet équipement cause du brouillage nuisible à la réception du signal de radio ou de télévision, ce qui peut être déterminé en éteignant puis en rallumant l'appareil, l'utilisateur peut essayer de corriger l'interférence en appliquant une des mesures suivantes :

- Réorienter l'antenne de réception ou changer son emplacement.
- Augmenter la distance séparant l'équipement et le récepteur.
- Brancher le matériel dans la prise de courant d'un circuit différent de celui auquel le récepteur est branché.
- Consulter le revendeur ou un technicien radio/télé d'expérience.