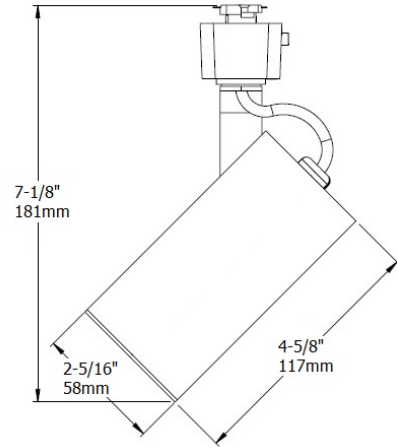
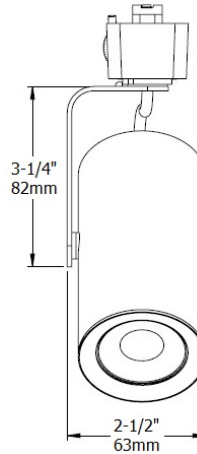
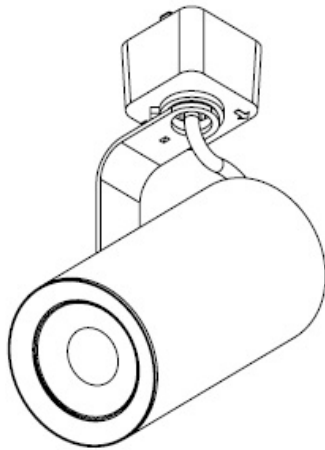




L611

120V LED TRACK LUMINAIRE

Type	
Project	
Catalog No.	



DESCRIPTION

Line voltage LED track fixture in a clean and compact design. Detailed yoke with smooth transition line. suitable for residential application or smaller spaces with low mounting height.

CONSTRUCTION

Die-cast aluminum housing.
Powder coat paint.
350° horizontal, ±90° vertical aim adjustment.

MOUNTING

Provides electrical and mechanical connection to single or two circuit track.

ELECTRICAL

Input 120VAC 50/60Hz
Input Power 9.6W
Efficacy 86 lm/W
Power Factor >0.9
Dimming 10%, refer to recommended dimmers list
TRIAC (forward-phase or leading edge)
ELV (reverse-phase or trailing-edge)

LED

CCT 3000K
CRI 80
Color Control 3-step MacAdam ellipse
Luminous Flux 830 lm

Optics

36° single optic TIR made from optically clear thermoplastic

Passive thermal management provides silent operation to yield over 70% lumen maintenance for a minimum of 50,000 operation hours in 25°C (77°F) ambient.

LABELS

cETLus Listed

WARRANTY

5 Years

RECOMMENDED DIMMERS

Manufacturer	Model
Lutron ¹	FALV-600-XX
	S-600X
	SLV-600X
	S2-LX
	DVSCCL-153P
	DV600PR

Manufacturer	Model
Cooper ²	9530XXX
Lightolier ³	MP600X
Leviton ⁴	IPI06-XXX
	6602-X
	6681-X
	6683-X

Manufacturer	Model
Leviton ⁴	6684-X
	700-X
	705-X
	6633
	6674
	IPL06

JESCO recommends testing your unique dimming configuration as the exact application may affect dimming performance. Dimmers can be loaded up to 80% of their max power rating.

ORDERING INFORMATION

SYSTEM	SERIES	CCT	CRI	FINISH
H2 = Jesco H1 Track or Halo ⁵ Power-Trac L2 = Jesco L Track or Lightolier ³ Lytespan Track J2 = Jesco J1, J2 or Juno ⁶ Trac-Master	L611	30 – 3000K	80 – 80	B – Black W – White
	L611	30	80	

Notes:
¹Lutron is a registered trademark of Lutron Electronics, Inc.
²Cooper is a registered trademark of Cooper Industries
³Lightolier is a registered trademark of Philips Lighting.
⁴Leviton is a registered trademark of Leviton Mfg. Co., Inc.
⁵Halo is a registered trademark of Cooper Lighting.
⁶Juno is a registered trademark of Juno Lighting.



www.jescolighting.com
support@jescolighting.com
Tech Support: 855.592.0029

15 Harbor Park Drive
Port Washington, NY 11050
Main Line: 800.527.7796
Fax Line: 855.265.5768

219 South 6th Ave
City of Industry, CA 91746
Main Line: 855.654.0110
Fax Line: 626.333.2955

Specifications subject to change without notice.