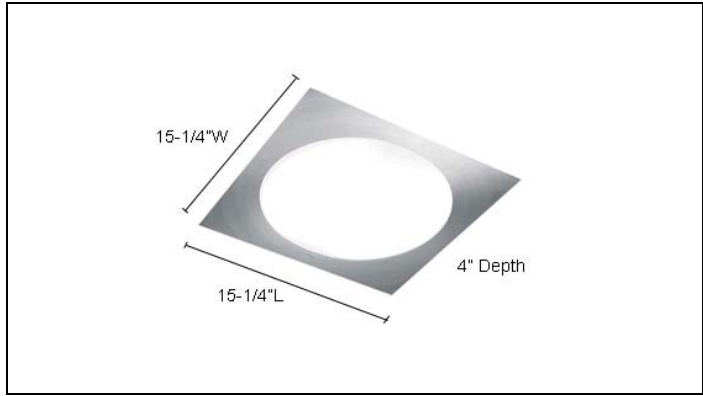
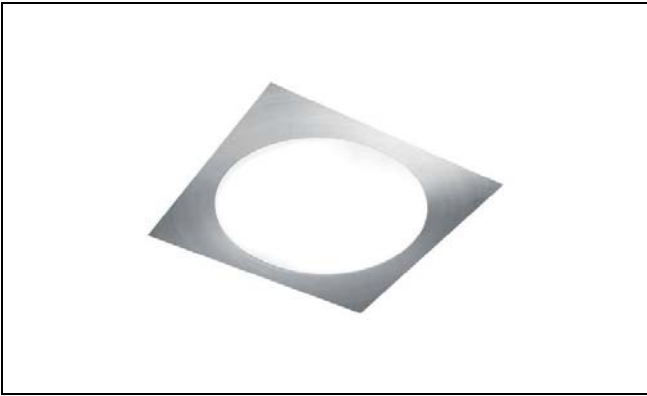




CTC 607M • CARRE

ENVISAGE
CEILING MOUNT SERIES

Type	
Project	
Catalog No.	



CATALOG INFORMATION

MODEL	GROK
CTC 607M CARRE	15 2575 81

DESCRIPTION

- Medium Ceiling Mount / Wall Sconce
- CARRE is energy efficient and is suitable for ceiling or wall mount. Offered in two sizes, CARRE is a satin nickel square frame with a compact fluorescent lamps provide an energy efficient solution, and allow choice of warm or cool white.
- ADA Compliant
- Energy Efficient
- Dimensions: 15-1/4"L x 15-1/4"W x 4"H
- Finish: Satin Nickel with Frosted Glass

SERIES 607 – CARRE



CTC 607L

LAMP:

(2) Fluorescent G24Q2 Quad Tube 18W
120V Electronic Ballast.