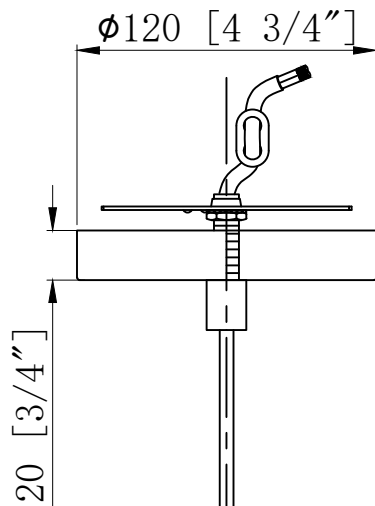
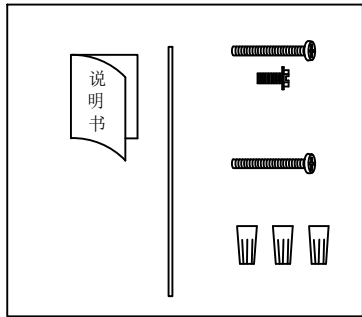


**UL SPECIFICATION**

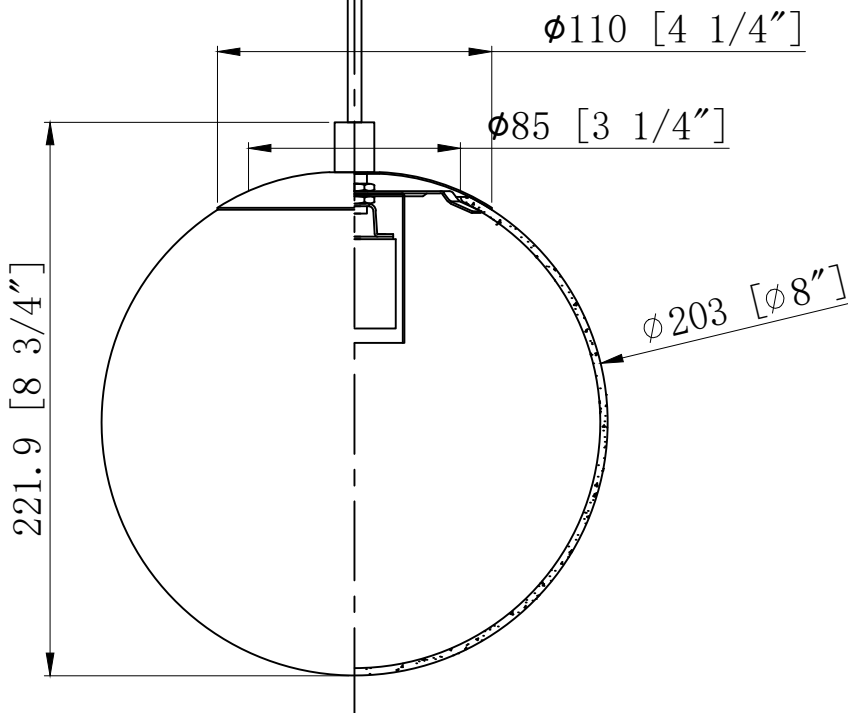
- \* FIXTURE SHALL BE LISTED FOR LOCATION ONLY AND LABELED AS SUCH.
- \* FIXTURE MUST BE MANUFACTURED IN ACCORDANCE WITH UL STANDARD 1598.

**PARTS SPECIFICATIONS**  
**ITEM QTY DESCRIPTION**

- A (1) SOCKET- UL LISTED/CSA CERTIFIED  
BASE= MEDIUM  
SOCKET= PORCELIN
- B (1) LEAD WIRE- 120" FROM FRAME TOP  
UL LISTED/CSA CERTIFIED, BLACK SVT  
FABRIC WIRE.



← 10 Feet wire



INNOVATIONS LIGHTING  
 DESIGN COPYRIGHT - 01/07/2021  
 ALL RIGHTS RESERVED AND MAY  
 NOT BE DUPLICATED WITHOUT OUR  
 WRITTEN PERMISSION

NO.	PART NO.	DESCRIPTION	REQ.

NOTICE: ANY DESIGN OR OTHER INFORMATION HEREON DEVELOPED BY THIS COMPANY IS CONFIDENTIAL MATERIAL AND EXCLUSIVE PROPERTY OF THE L.D. ALIYA CO. DISCLOSURE OR REPRODUCTION REQUIRES THE WRITTEN CONSENT OF THE L.D. ALIYA CO.

**INNOVATIONS**  
CREATIVITY MEET. EVOLUTIONARY DESIGN.

DRAWN IN THIRD ANGLE PROJECTION 	*mm* DIMENSION INDICATED IN [ ] DIMENSION IN [ ] IS FOR REF. ONLY			
	TOLERANCES (EXCEPT AS NOTED)			
	DECIMAL NONE ±.031 .X ±.015 .XX ±.010 .XXX ±.005	ANGULAR ± 1/2°	FRACTIONAL ± 1/32	SCALE 1:7
DATE 01/07/2021	DRAWN BY	CHECKED BY X	APPROVED BY X	

TITLE <b>8" 1LT PENDANT</b>	
PART NO. PENDANT	REV.
ITEM NO. 608-BK-SDY	REV. <b>A</b>