



INNOVATIONS LIGHTING
DESIGN COPYRIGHT – 10/11/2021

ALL RIGHTS RESERVED AND MAY
NOT BE DUPLICATED WITHOUT OUR
WRITTEN PERMISSION

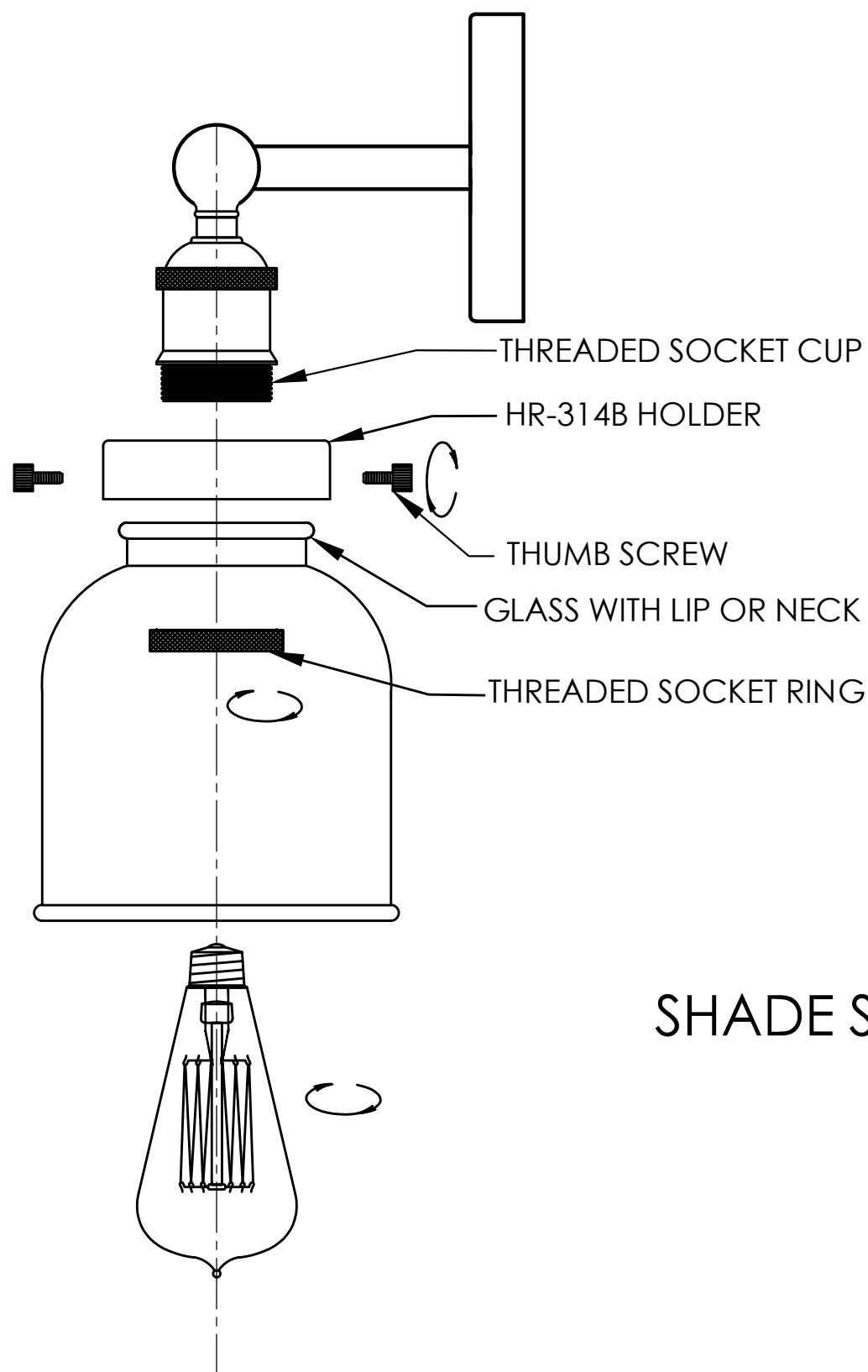
ITEM: 616-1W
616-2W
616-3W
616-4W

FRANKLIN ASSEMBLY

ATTACH THE HR-314B HOLDER TO
THREADED SOCKET CUP USING
THREADED SOCKET RING,

SLIDE SHADE INTO THE HR-314B
HOLDER, TIGHTEN THE (3)
THUMB SCREWS EVENLY TO
HOLD GLASS IN PLACE

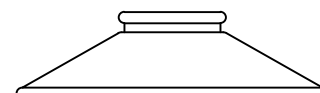
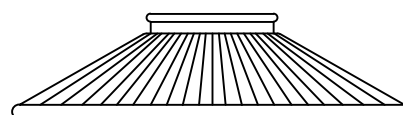
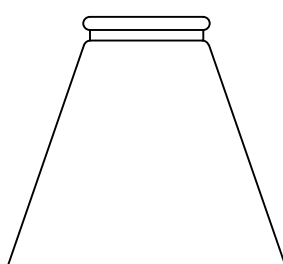
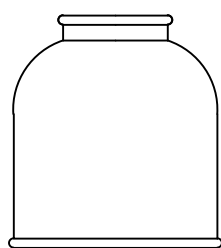
DO NOT OVER TIGHTEN THUMB
SCREWS TO AVOID BREAKING
THE GLASS



SHADE STYLE AND BULB OPTIONAL.

IF THE GLASS YOU SELECTED HAS A LIP OR
NECK THE HR-314B HOLDER IS NEEDED TO
ATTACH THE GLASS

OPTIONAL SHADE STYLES WITH LIP OR NECK

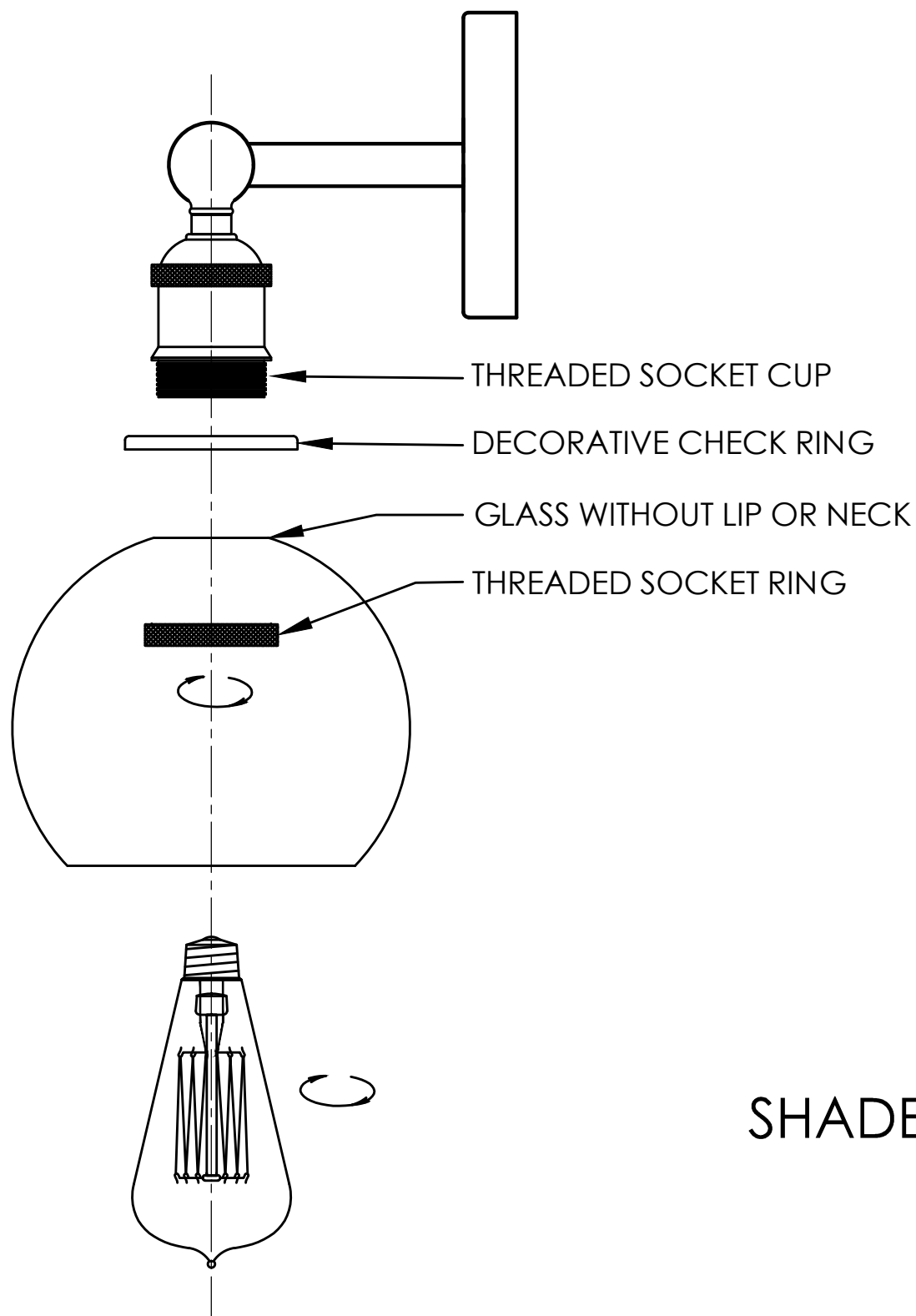




**INNOVATIONS LIGHTING
DESIGN COPYRIGHT - 10/11/2021**

ALL RIGHTS RESERVED AND MAY
NOT BE DUPLICATED WITHOUT OUR
WRITTEN PERMISSION

ITEM: 616-1W
616-2W
616-3W
616-4W



BALLSTON ASSEMBLY

SLIDE DECORATIVE CHECK RING
AND SHADE ONTO THREADED
SOCKET CUP AND SECURE USING
THREADED SOCKET RING

DO NOT OVER TIGHTEN
THREADED SOCKET RING TO
AVOID BREAKING THE GLASS

SHADE STYLE AND BULB OPTIONAL.

IF THE GLASS YOU SELECTED DOES NOT HAVE A LIP OR
NECK THE HR-314B HOLDER IS NOT NEEDED TO
ATTACH THE GLASS---PLEASE DISCARD IT

OPTIONAL SHADE STYLES WITHOUT LIP OR NECK

