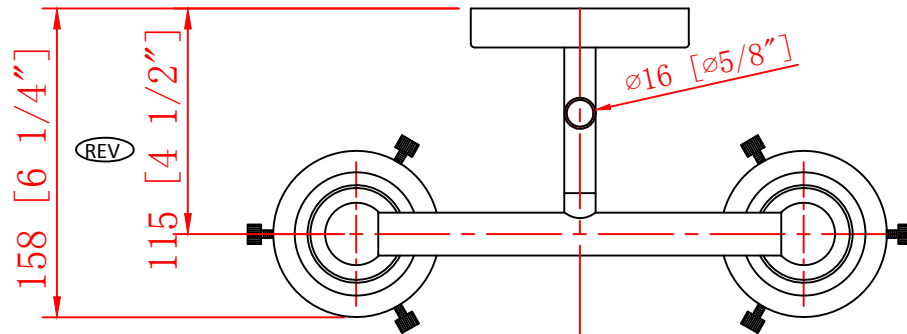


REV 1
20191015



INNOVATIONS LIGHTING
 DESIGN COPYRIGHT - 09/27/2019
 ALL RIGHTS RESERVED AND MAY
 NOT BE DUPLICATED WITHOUT OUR
 WRITTEN PERMISSION

ITEM: 616-2W