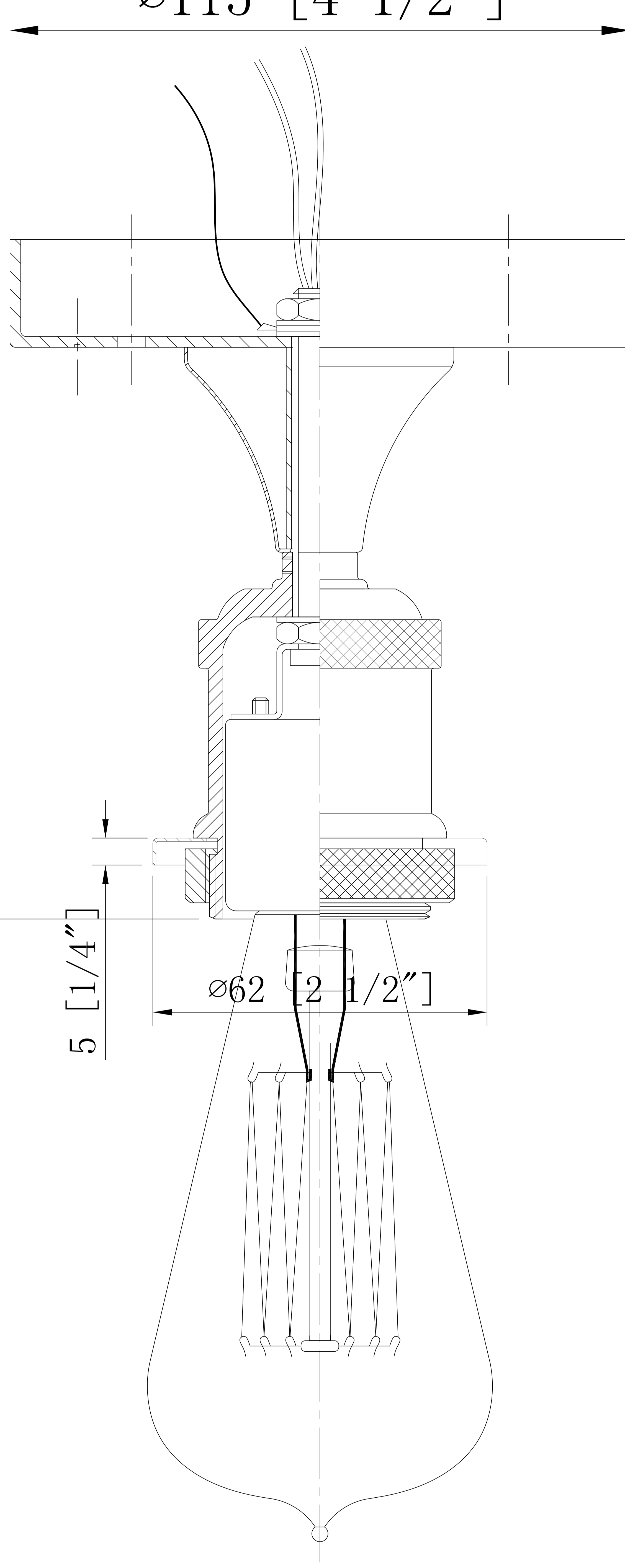


$\phi 10$  [3/8"]

126 [5"]

$\phi 115$  [4 1/2"]



5 [1/4"]

$\phi 62$  [2 1/2"]

INNOVATIONS LIGHTING  
 DESIGN COPYRIGHT - 09/21/2018  
 ALL RIGHTS RESERVED AND MAY  
 NOT BE DUPLICATED WITHOUT OUR  
 WRITTEN PERMISSION

ITEM: 516-1C