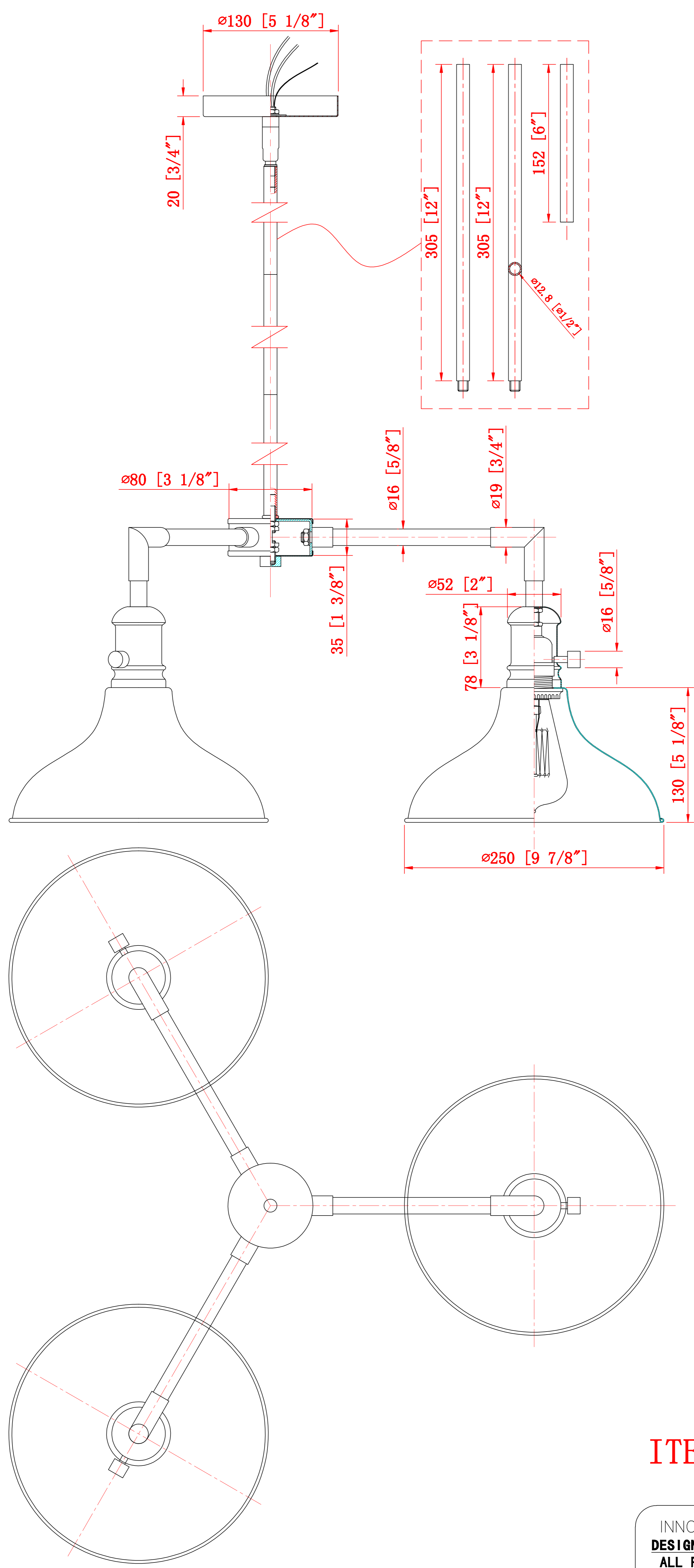


ø10 [ø3/8"]



R&D
2019.11.05
DengMark

ITEM: 443SW-3CR

INNOVATIONS LIGHTING
 DESIGN COPYRIGHT - 10/30/2019
 ALL RIGHTS RESERVED AND MAY
 NOT BE DUPLICATED WITHOUT OUR
 WRITTEN PERMISSION