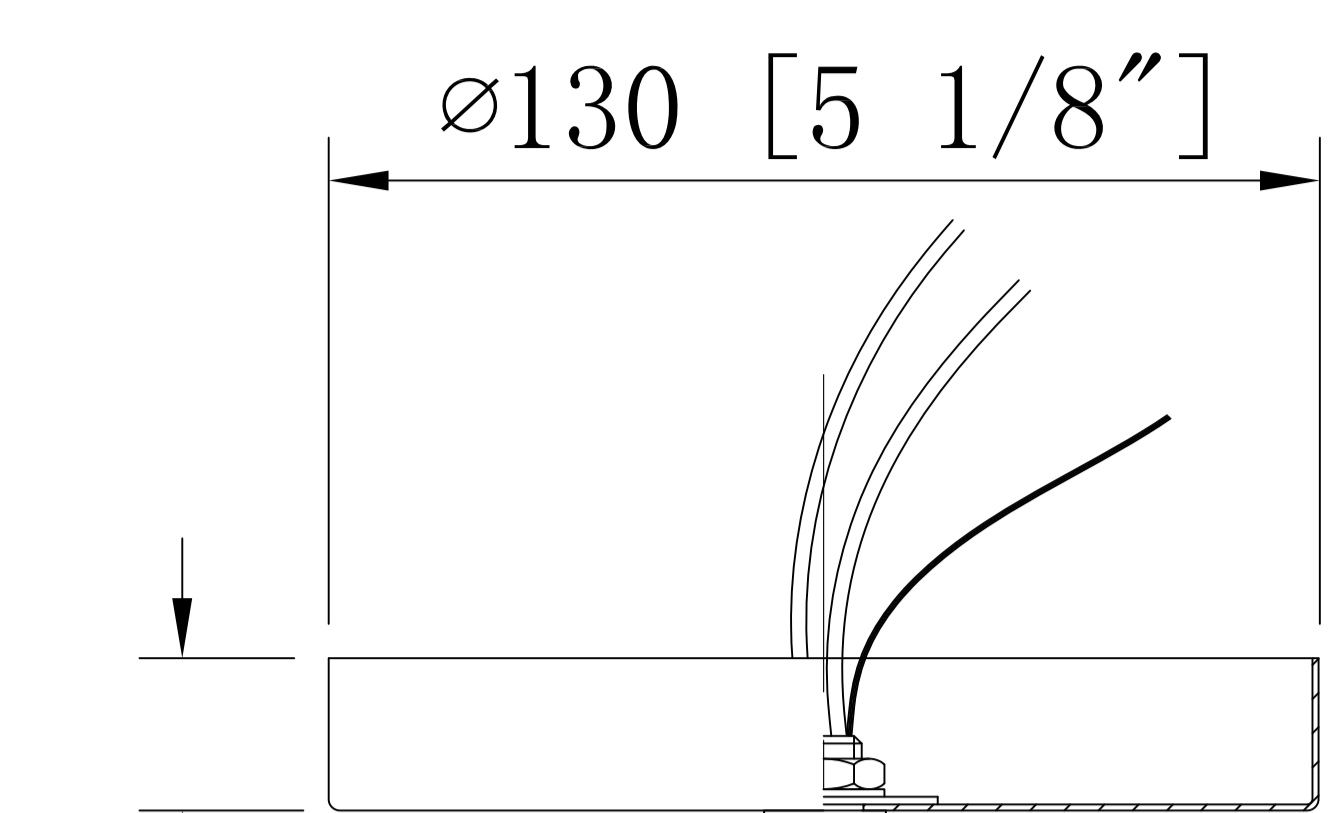
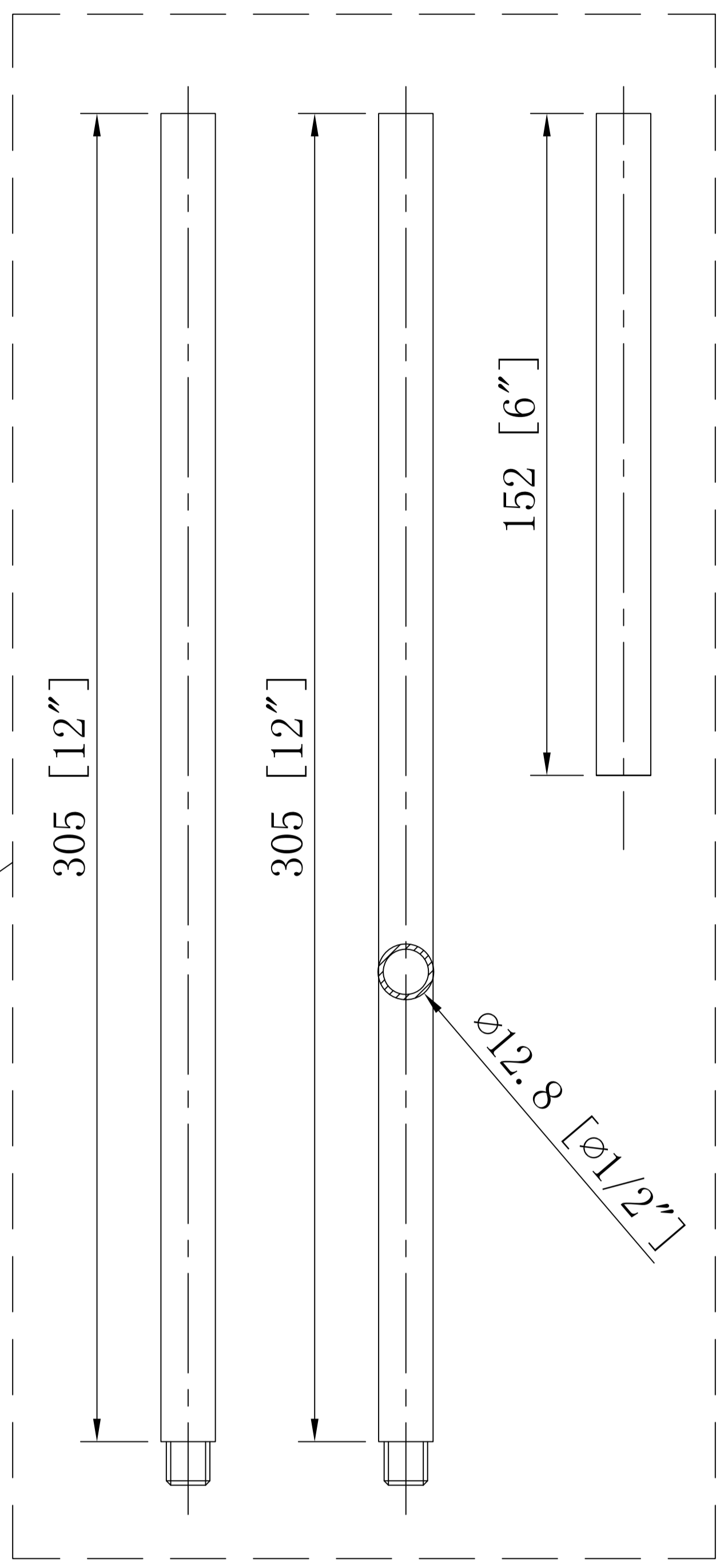


$\phi 10$  [ $\phi 3/8$ "]



$\phi 130$  [ $5\ 1/8$ "]

20 [ $3/4$ "]



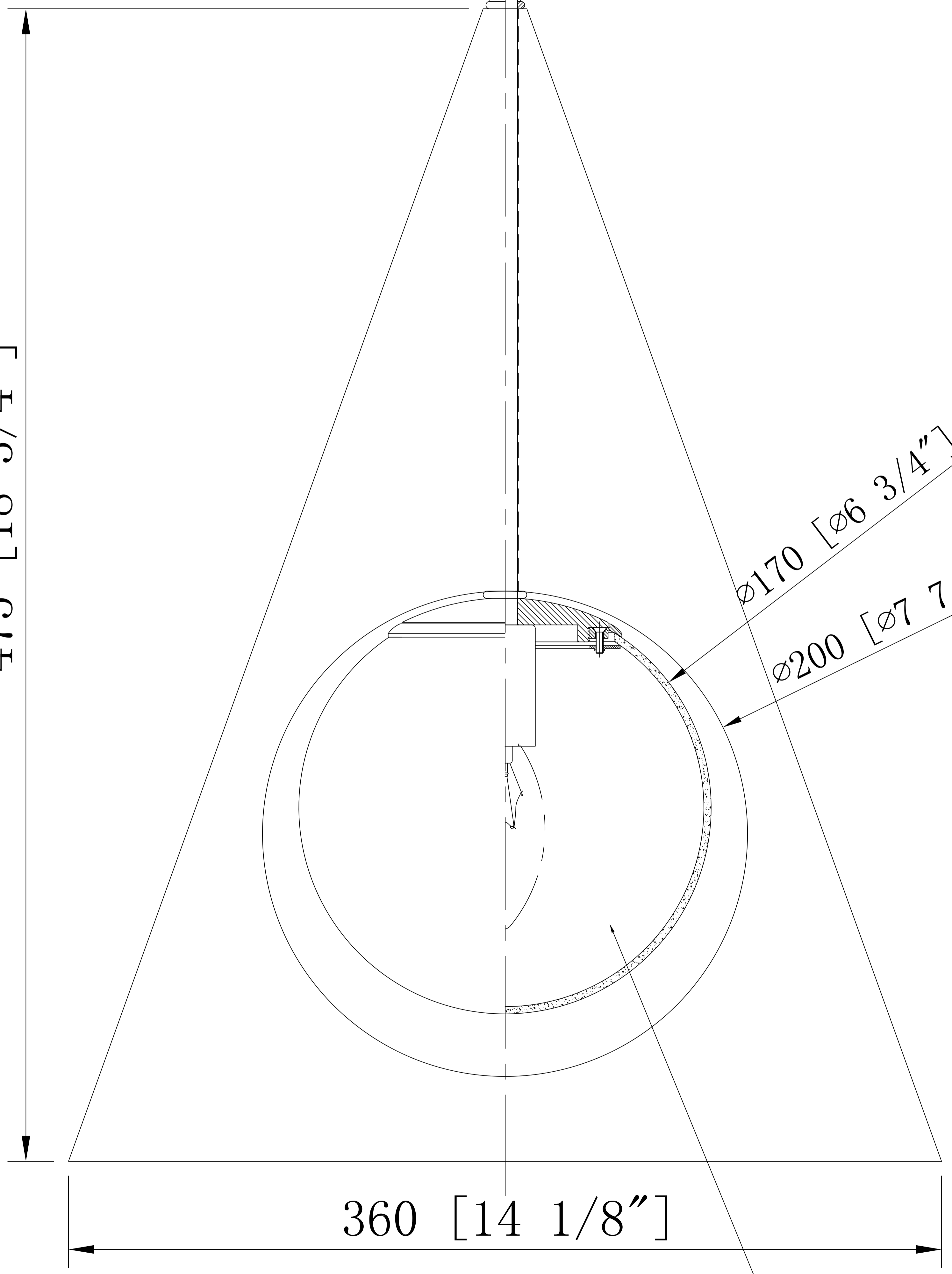
305 [ $12$ "]

305 [ $12$ "]

152 [ $6$ "]

$\phi 12.8$  [ $\phi 1/2$ "]

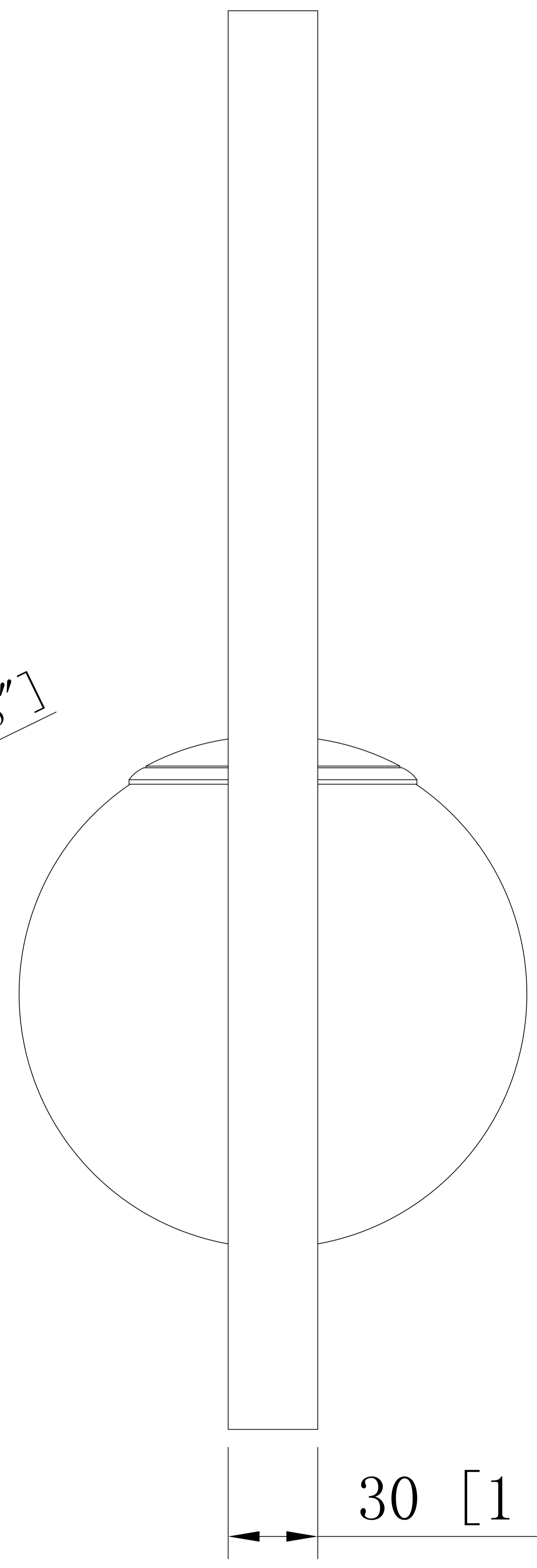
475 [ $18\ 3/4$ "]



$\phi 170$  [ $\phi 6\ 3/4$ "]

$\phi 200$  [ $\phi 7\ 7/8$ "]

360 [ $14\ 1/8$ "]



30 [ $1\ 1/8$ "]

WHITE GLASS

INNOVATIONS LIGHTING  
 DESIGN COPYRIGHT - 12/18/2019  
 ALL RIGHTS RESERVED AND MAY  
 NOT BE DUPLICATED WITHOUT OUR  
 WRITTEN PERMISSION

ITEM: 439-1S