

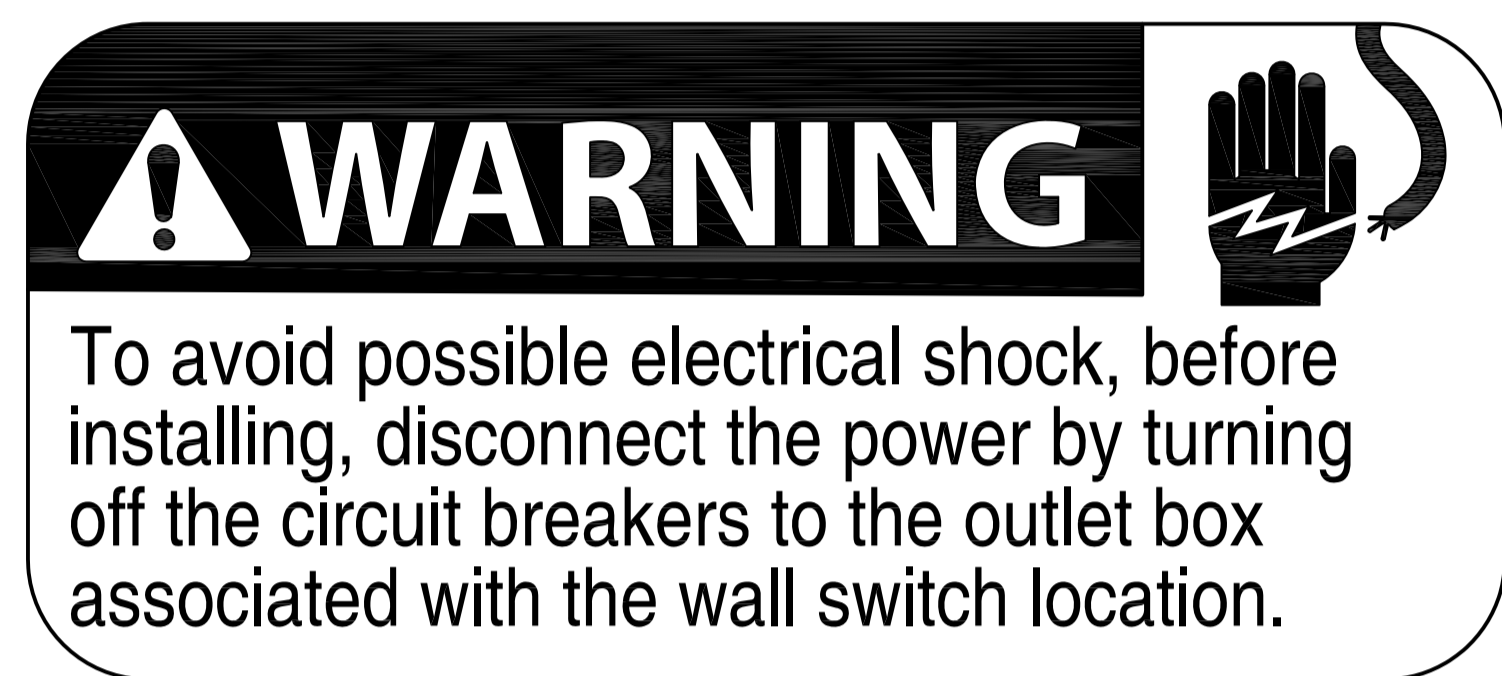
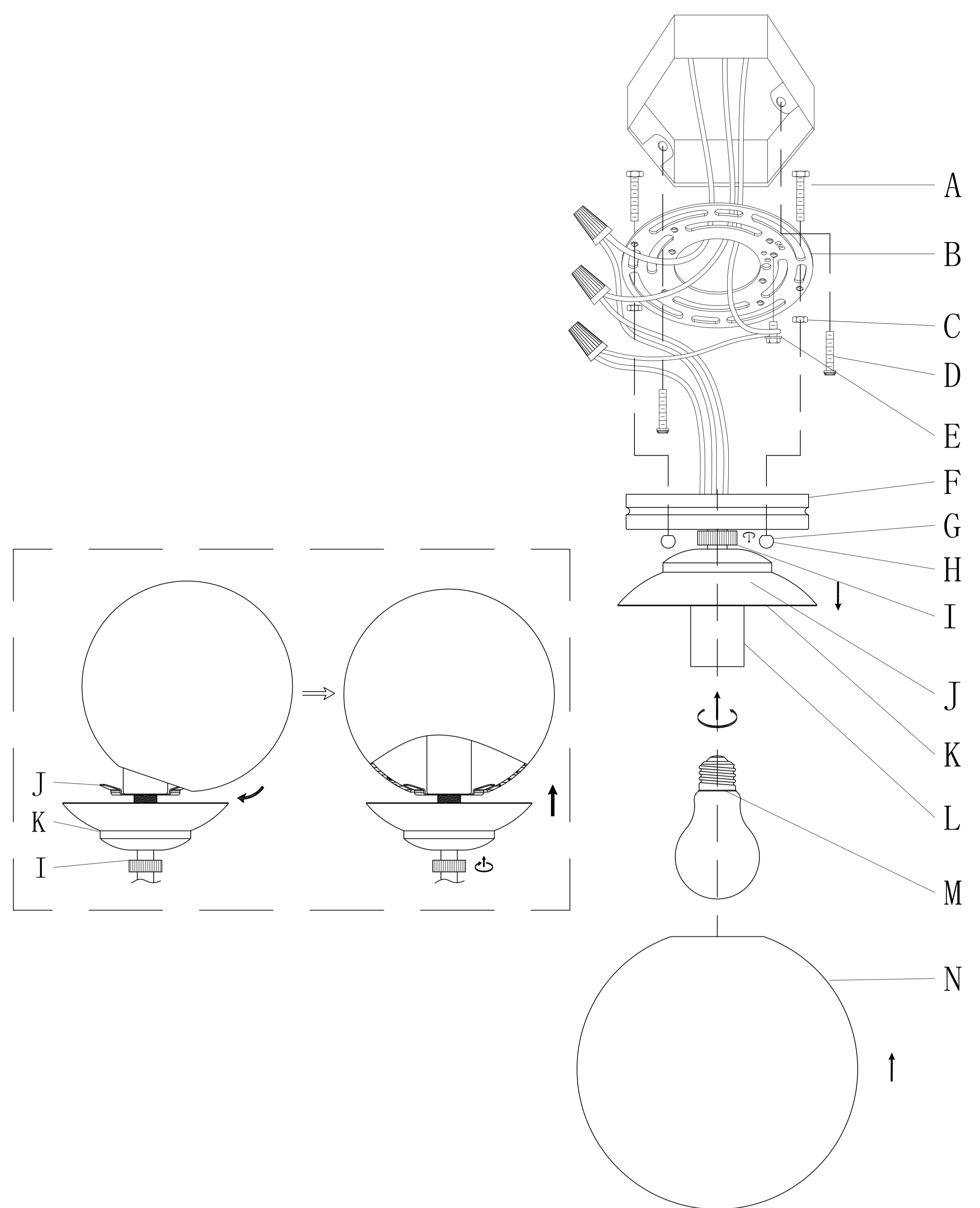


INSTALLATION INSTRUCTIONS

For Model 19020,19021

READ AND SAVE THESE INSTRUCTIONS

These instructions are provided for your safety. It is very important that they are read carefully and completely before beginning installation of the lighting fixture.



WARNING

To avoid possible electrical shock, before installing, disconnect the power by turning off the circuit breakers to the outlet box associated with the wall switch location.

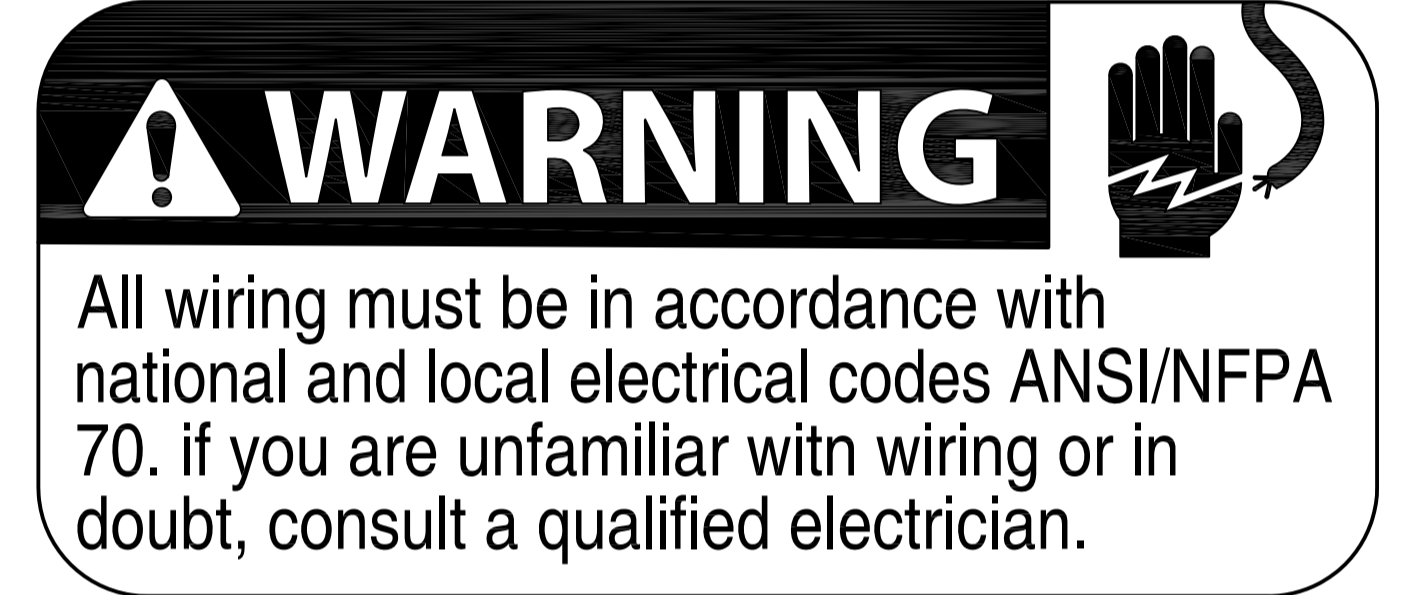
PREPARING FOR INSTALLATION

Carefully remove all contents from the carton. Shut off the power at the circuit breaker and completely remove the old fixture from the ceiling, including the old mounting bracket. Remove the new mounting bracket assembly from the bag. Mounting plate (B) contains several pairs of threaded holes. Find the pair of holes that matches the spacing on the holes on the fixtures canopy. Attach two mounting screws (A) to the mounting plate (B). Tighten nuts (C) to hold the screws in place. Place the mounting plate (B) over the junction box so that mounting screws (A) and nuts (C) are visible. Pull the house wires through the center of mounting plate (B). Secure mounting plate (B) to the junction box by tightening the screws (D).



WARNING

The ceiling fan must be grounded. If the ground wire for the installation site is not present, immediately STOP installation and consult a qualified electrician.



WARNING

All wiring must be in accordance with national and local electrical codes ANSI/NFPA 70. If you are unfamiliar with wiring or in doubt, consult a qualified electrician.

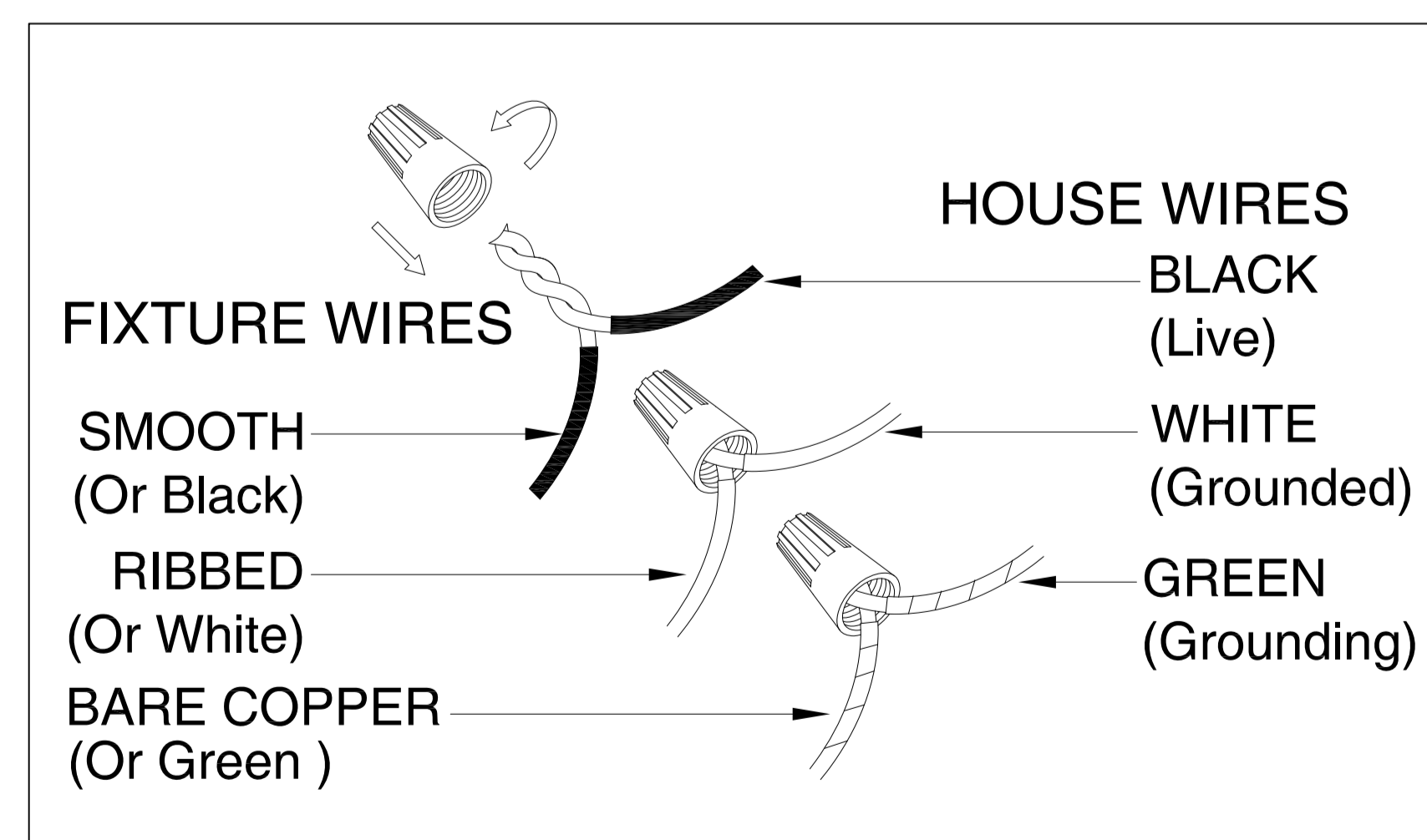
FINISHING THE INSTALLATION

Raise canopy (F) to mounting plate (B) and position mounting screws (A) so that they protrude through the openings of canopy (F). Secure canopy (F) in place with decorative nuts (G). Install light bulb (not included) in accordance with the fixture's specifications. Do not exceed the recommended wattage. Unscrew the ring (I) and move the cover (K) back to allow for space. Put the metal piece (J) into the glass (N) and adjust until both ends are in contact with the glass and the flat base is parallel with the glass opening. Then tighten the ring (I) to tighten the cover (K) and glass (N).

CONNECTING THE WIRES

Have a helper support the fixture's weight while completing the wiring. Attach the fixtures wires to the power supply wires from the junction box. Connect black to black (Live); white to white (grounded); grounding to grounding (green or copper). Twist the ends of the wire pairs together. Then, twist on a wire connector. Make sure all twists are in the same direction. If there is no ground wire (green or copper) from the junction box, contact a qualified electrician.

Your installation is now complete. Turn on the power and test the fixture.



CLEANING TIPS

Treat the fixture gently! Regular cleaning will reduce the need for deep cleaning. For regular cleaning, turn off the light and wipe down the fixture with a clean lint-free cotton or microfiber cloth. Never spray cleaner directly onto the fixture.