

ASSEMBLY & INSTALLATION INSTRUCTIONS



ASSEMBLY & INSTALLATION INSTRUCTIONS

COMPONENT PARTS

A	Fixture
B	Front Assembly
C	Threaded Tab
D	Knurled Screw
E	Mounting Bracket
F	Ground Scew
G	Cupped Washer
H	#8 Screws (2)
I	Bulbs (2) - Included

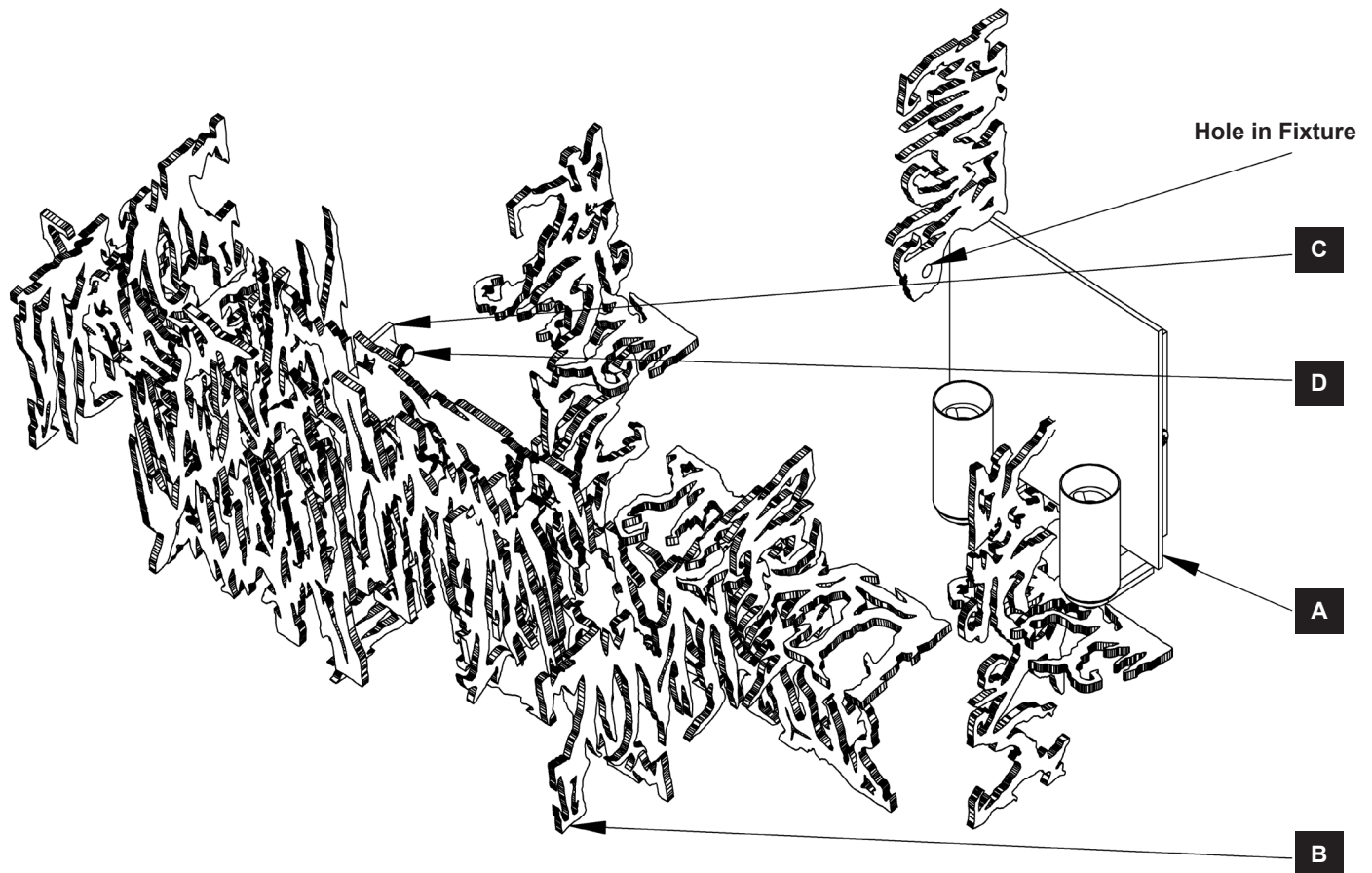
ASSEMBLY & INSTALLATION INSTRUCTIONS

CAUTION: FAILURE TO INSTALL THIS FIXTURE PROPERLY MAY RESULT IN SERIOUS PERSONAL INJURY OR DEATH AND PROPERTY DAMAGE. We recommend installation by a licensed electrician. This product must be installed in accordance with applicable installation code(s), by a person familiar with the construction and operation of the product and the hazards involved.*

Caution: Do not exceed maximum wattage noted on fixture. Use only recommended bulbs with fixture.

PREPARE FIXTURE FOR INSTALLATION (FIGURE 1)

1. Carefully unpack the fixture from the carton.
2. Loosen knurled screw (D) until it's removed from hole in fixture (A). It is not necessary to completely remove knurled screw (D) from threaded tab (C).
3. Tip out top of front assembly (B), lift up, and out from fixture (A).
4. Retain for later use.
5. Follow steps on next page to install fixture (A) to wall.



(Figure 1)

ASSEMBLY & INSTALLATION INSTRUCTIONS

TO INSTALL FIXTURE TO WALL (FIGURE 2)

CAUTION: BE SURE POWER IS OFF AT THE MAIN BREAKER BOX PRIOR TO INSTALLATION.

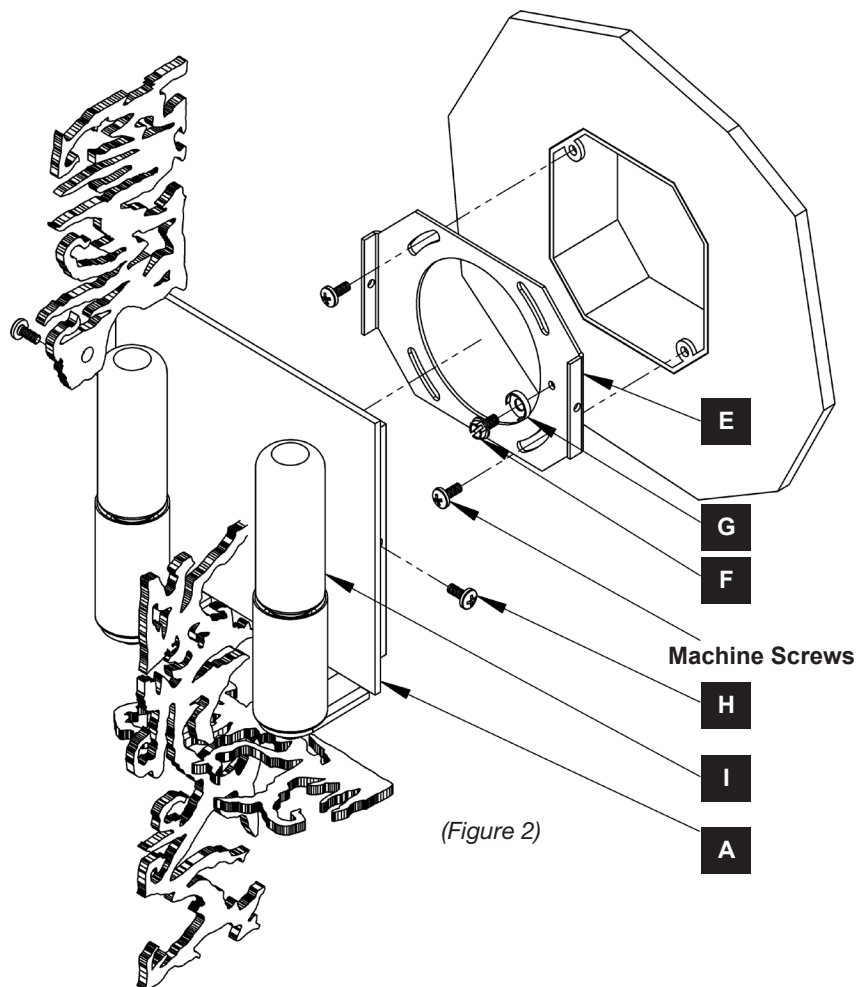
1. Locate the mounting bracket (E). Thread the wires in the electrical box through the hole in the mounting bracket while moving into position. Using two machine screws (not provided) fasten mounting bracket (E) to the electric box

Note: A new electric box comes with screws. When replacing a fixture, retain the existing screws for use with the new fixture.

2. Attach a pigtail lead to the mounting bracket (E) using the provided ground screw (F) and cupped washer (G), found in kit bag.
3. Hold the fixture (A) close to the mounting bracket (E) and using suitable wire connectors (not provided), connect fixture wires to supply wires (white to white and black to black). Connect all ground wires (bare copper or green to bare copper or green) together.

CAUTION: MAKE SURE WIRE CONNECTORS ARE TWISTED ON SECURELY, AND NO BARE WIRES ARE EXPOSED.

4. Carefully tuck all wires behind the fixture (A) and inside the mounting bracket (E). Place the fixture (A) firmly onto mounting bracket (E) and fasten with #8 screw (H) on each side.
5. Install bulbs (I), included.
6. Follow steps on next page to complete installation.

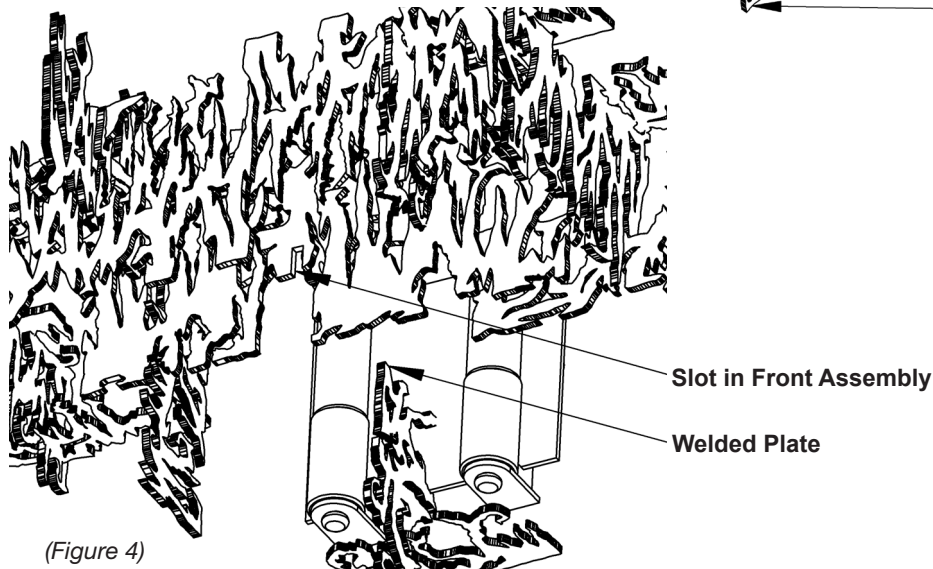
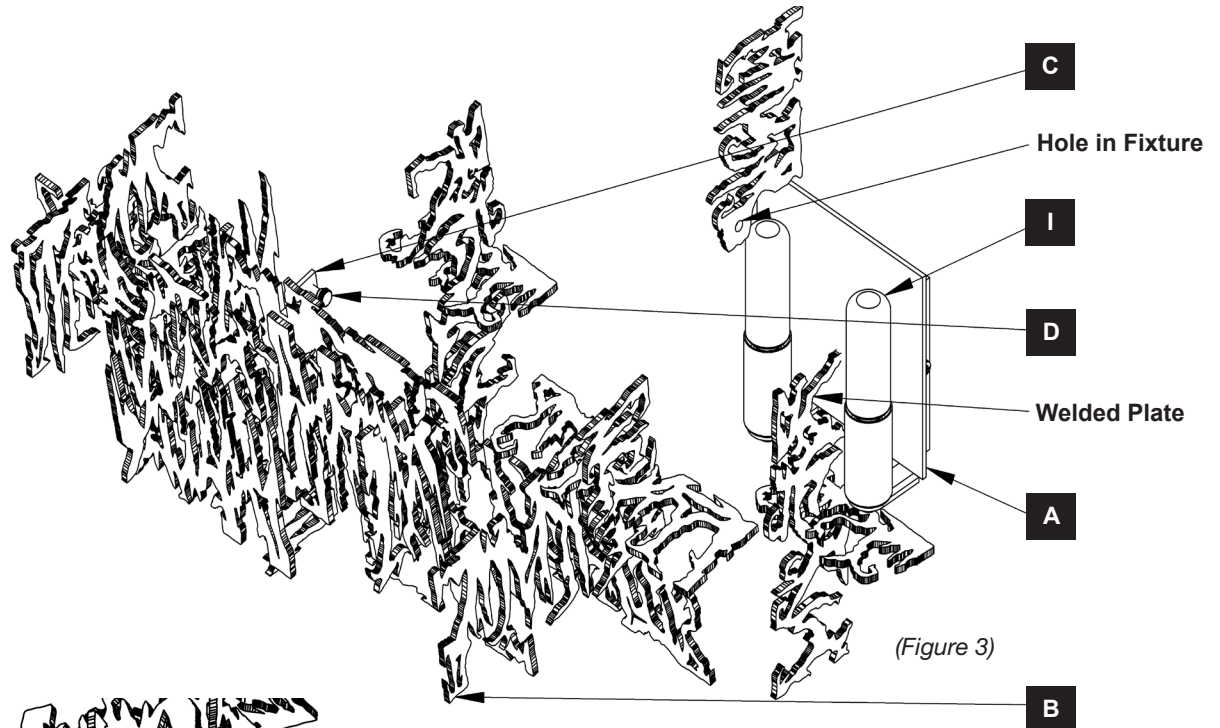


CONTINUED...

ASSEMBLY & INSTALLATION INSTRUCTIONS

TO COMPLETE INSTALLATION (FIGURES 3 & 4)

1. Angle top of front assembly (B) out, slide bottom of front assembly (B) onto fixture (A) until slot in front assembly (A) hooks onto welded plate. See Figure 4 for close up.
2. Carefully tip front assembly (B) towards wall and over bulbs (I) until knurled screw (D) in threaded tab (C) is lined up with hole in fixture (A).
3. Thread knurled screw (D) into hole in fixture as far as possible to secure front assembly (B).



If you need further assistance, or find that you are missing any parts, please contact the showroom from which you purchased this product. We hope you enjoy your fixture!

**ART+ALCHEMY will not be liable for injury or damage caused by improper installation, lamping or use of this fixture.*