

Installation Instructions

Post and Pier Mounted Outdoor Fixtures

G14

Page 1 of 2

CAUTION: FAILURE TO INSTALL THIS FIXTURE PROPERLY MAY RESULT IN SERIOUS PERSONAL INJURY OR DEATH AND PROPERTY DAMAGE. We recommend installation by a licensed electrician.

This product must be installed in accordance with applicable installation code(s), by a person familiar with the construction and operation of the product and the hazards involved.*

Caution: Do not exceed maximum wattage noted on fixture. Use only recommended bulbs with fixture.

Note: Fixture, Post and Cover Cap each sold separately.

Component Parts

- A J Bolts
- B Washers (4)
- C Split washers (4)
- D 5/16 nuts (4)
- E Fixture Post / Pier
- F Cover Cap (sold separately)

To Install

Caution: Be sure power is off at the main breaker box prior to installation.

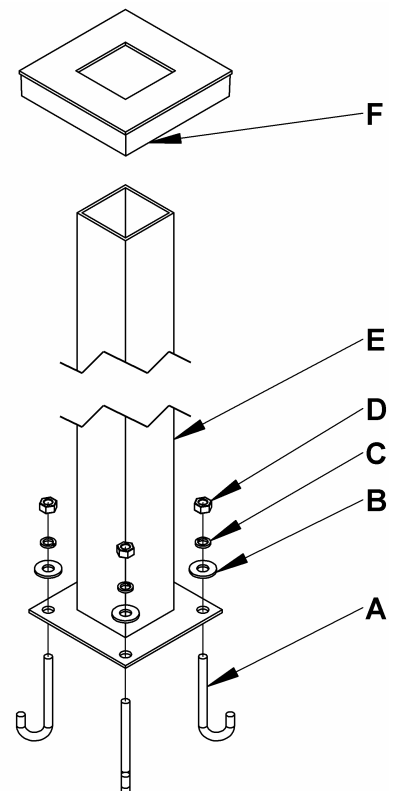
Site Preparation

1. Run appropriate wiring to the site of the fixture, leaving enough excess wire to reach the top of the post/pier, plus 12 inches.
2. Pour flat and level concrete base with wiring emerging at the center. Insert J bolts (A) so approximately 1" of the bolts are exposed above the concrete. Position J bolts according to the supplied template. Allow concrete to cure before installing fixture.

Installation

Note: Post may be cut to length as desired before installation begins.

1. Position post over J bolts allowing supply wire to run up through the post and secure using washers (B), split washers (C) and nuts (D).
2. Place optional cover cap (sold separately) (F) over post to conceal mounting hardware.
3. Refer to instructions included with fixture for installation.



(continued...)

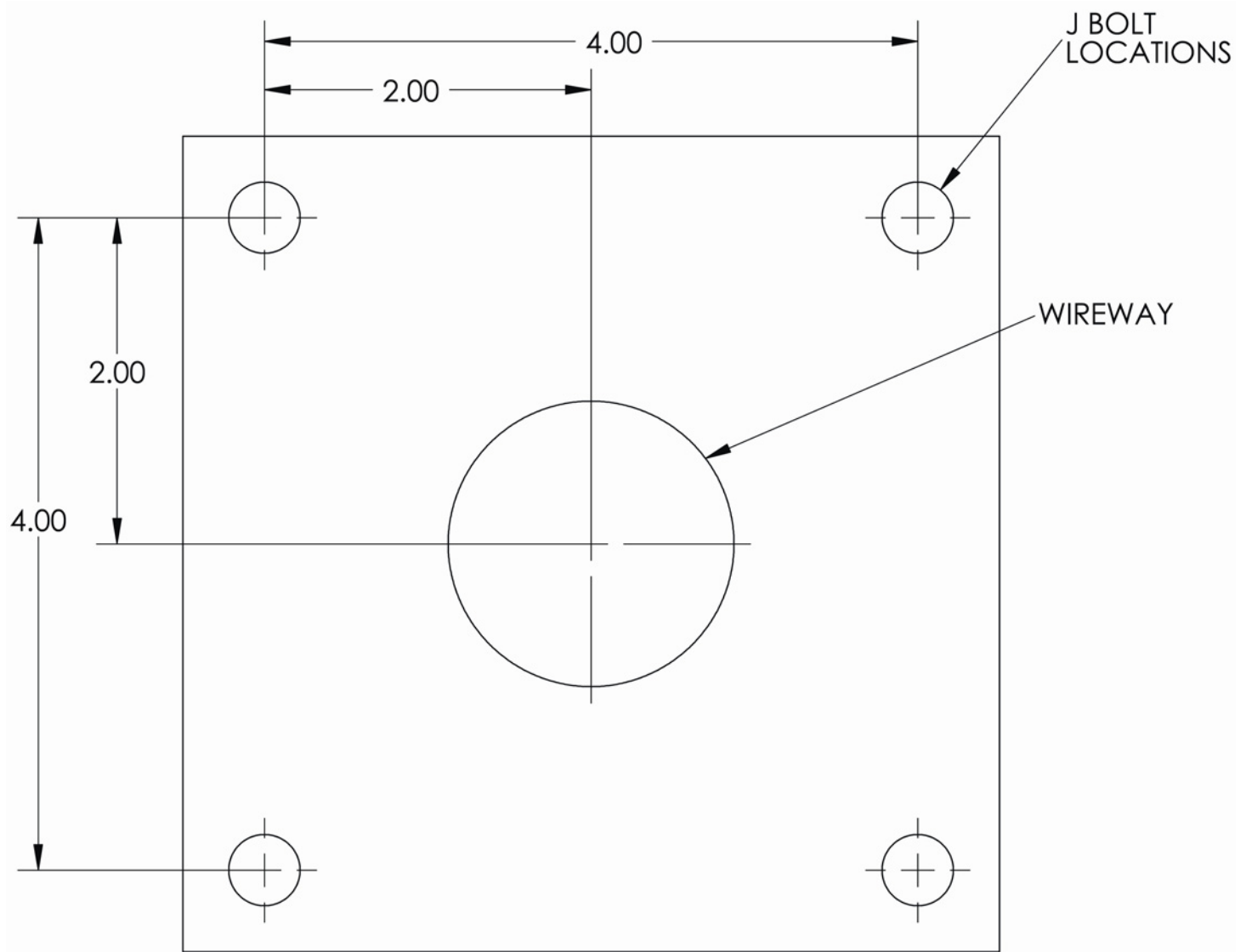
Installation Instructions

Post and Pier Mounted Outdoor Fixtures

G14

Page 2 of 2

Use this template to position J bolts and wireway in concrete slab prior to installing outdoor post/pier mounted lighting fixture.



If you need further assistance, or find that you are missing any parts, please contact the dealer from which you purchased this product. We hope you enjoy your fixture!

* Hubbardton Forge will not be liable for injury or damage caused by improper installation, lamping or use of this fixture.