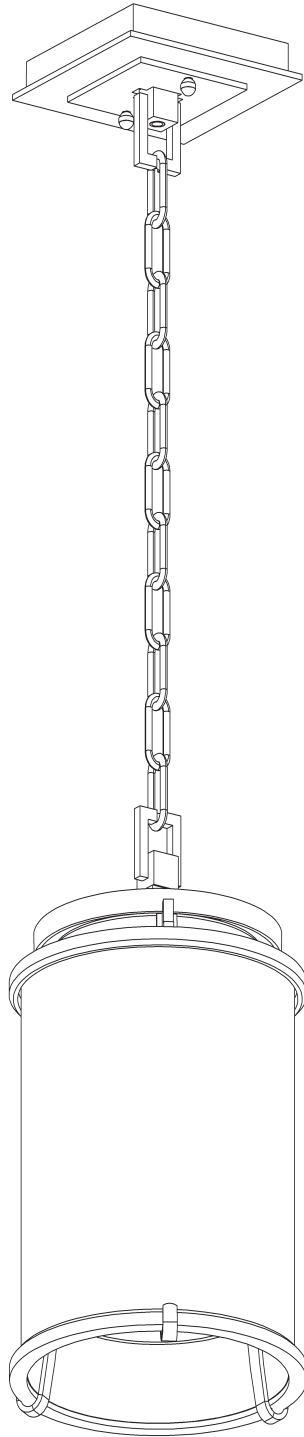


# ASSEMBLY & INSTALLATION INSTRUCTIONS

A197

Outdoor Chain Hung Fixture 365615 & 365615LED

---



## Component Parts

<b>A</b>	<b>Lock Nut</b>
<b>B</b>	<b>Crossbar</b>
<b>C</b>	<b>Threaded Stud (2)</b>
<b>D</b>	<b>Nipple</b>
<b>E</b>	<b>Wood Screws (4)</b>
<b>F</b>	<b>Canopy</b>
<b>G</b>	<b>Canopy Loop</b>
<b>I</b>	<b>Knurl Ball (2)</b>
<b>J</b>	<b>Chain</b>
<b>K</b>	<b>Fixture Loop</b>
<b>L</b>	<b>Fixture Top</b>
<b>M</b>	<b>Retaining Ring (2) (LED version has only 1 retaining ring.)</b>
<b>N</b>	<b>8-32 x 3/8" Screws (3)</b>
<b>O</b>	<b>8-32 x 1" Screws (3)</b>
<b>P</b>	<b>Spider Assembly</b>
<b>Q</b>	<b>Washer</b>
<b>R</b>	<b>Socket</b>
<b>S</b>	<b>Outer Glass (larger diameter glass)</b>
<b>T</b>	<b>Inner Glass</b>
<b>U</b>	<b>Ground Screw</b>
<b>V</b>	<b>Cupped Washer</b>



# ASSEMBLY & INSTALLATION INSTRUCTIONS

A197

Outdoor Chain Hung Fixture 365615 & 365615LED

**CAUTION: FAILURE TO INSTALL THIS FIXTURE PROPERLY MAY RESULT IN SERIOUS PERSONAL INJURY OR DEATH AND PROPERTY DAMAGE.** We recommend installation by a licensed electrician. This product must be installed in accordance with applicable installation code(s), by a person familiar with the construction and operation of the product and the hazards involved.\*

Caution: Do not exceed maximum wattage noted on fixture. Use only recommended bulbs with fixture.

Caution: Damp location outdoor hanging fixtures are designed for use in covered spaces such as porches protected from prolonged exposure to water and wind. If installing in locations subject to wind the use of supplementary chains, cables, or similar restraints may be necessary to protect against swinging and twisting. If in doubt consult a qualified installer.

Please Note: After installation extra hardware and accessories are possible due to our kits are used on multiple products and options.

## To Install Fixture (Figures 1 & 2) on the next page

**CAUTION: BE SURE POWER IS OFF AT THE MAIN BREAKER BOX PRIOR TO INSTALLATION.**

1. Carefully unpack fixture.
2. Remove glass retaining rings (M) and put aside and save for later use.
3. Loosen screws (O) that are shipped installed in threaded bosses on underside of fixture next to socket and remove washer (Q) by turning clockwise to slip over heads of screws. Loosen screws until there are only a couple threads engaged with the threaded bosses.
4. Loosen screws (N) so that spider assembly (P) will turn clock wise. It is not necessary to completely remove screws (N) from fixture. Once spider assembly (P) is loose turn until it slips over the heads of the screws. Set aside for later use (Figure 2).
5. Thread studs (C) through appropriate holes in crossbar (B) to match holes in canopy (F).
6. Thread canopy loop (G) onto nipple (D).
7. Thread the nipple (D) into the crossbar (B) and secure with lock nut (A).
8. Attach one end of the chain to the fixture loop (K). Lace the wire through every other link of the chain (J) to the end.
9. Slide canopy (F) over chain (J) until they rest against fixture top (L).
10. Fasten the chain to the canopy loop (G) and slip wires through the canopy loop (G) and nipple (D). Make sure to provide enough slack in the wire to ensure weight of fixture is supported by the chain.
11. Raise fixture to ceiling and using at least two wood screws (E) attach cross bar (B) to a structural member in the ceiling, centering the crossbar over the outlet box. We've supplied wood screws with your fixture; however, different materials and/or construction methods may require different fasteners. If in doubt, contact a qualified electrician. Do not attach crossbar directly to outlet box.
12. Using suitable wire connectors (not provided) connect fixture wires to supply wires (white to ribbed side of the fixture cord, black to smooth side). Using ground screw (U) and cupped washer (V) run a pigtail lead from the junction box to the crossbar and connect all ground wires.

**CAUTION: MAKE SURE WIRE CONNECTORS ARE TWISTED ON SECURELY AND NO BARE WIRE IS EXPOSED.**

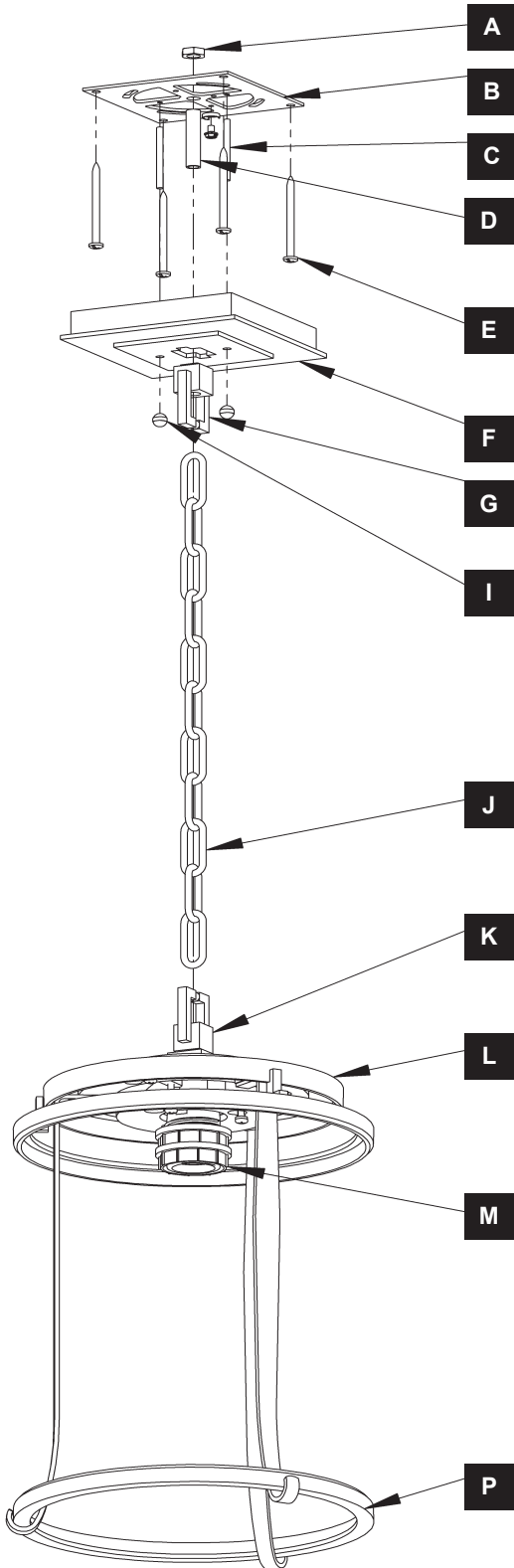
13. Slide canopy (F) over threaded studs (C) and push firmly to ceiling. Fasten with knurled balls (I). Be sure studs (C) are fully seated in the knurled balls (I).

**CAUTION: BE SURE NO WIRES ARE PINCHED BETWEEN THE CANOPY AND THE CEILING.**

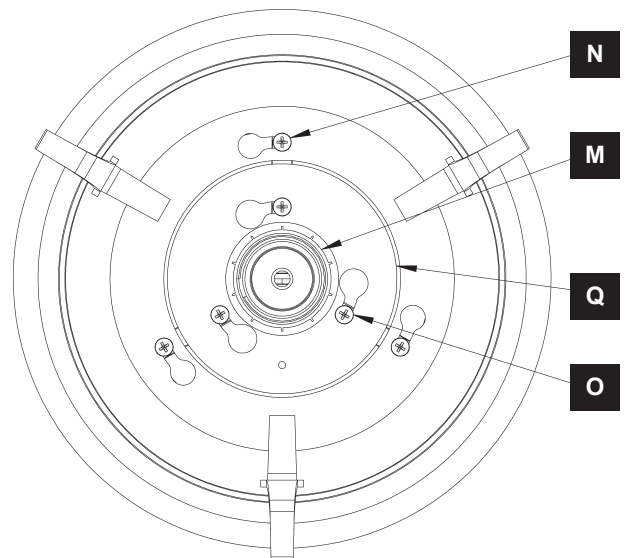
# ASSEMBLY & INSTALLATION INSTRUCTIONS

A197

Outdoor Chain Hung Fixture 365615 & 365615LED



(Figure 1)



(Figure 2)



HUBBARDTON FORGE.

MODERN AMERICAN BLACKSMITHS | FINE, HAND CRAFTED LIGHTING  
CASTLETON, VERMONT USA | HUBBARDTONFORGE.COM

22646 Rev A

4 OF 5

# ASSEMBLY & INSTALLATION INSTRUCTIONS

A197

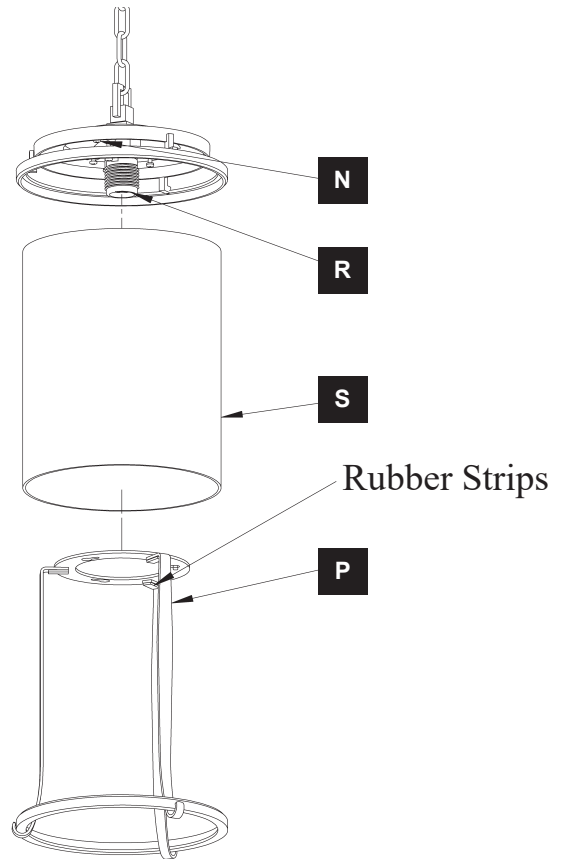
Outdoor Chain Hung Fixture 365615 & 365615LED

## To Install Outer Glass (Figure 2)

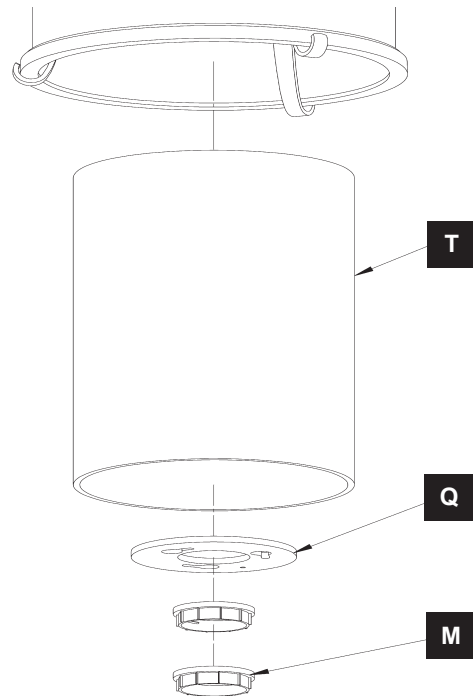
1. Install rubber strips as shown in figure 3. Strips are adhesive backed on one side.
2. Slip outer glass (S) over spider assembly (P).
3. Raise spider assembly (P) with outer glass (S) installed and slip over socket (R) aligning holes in the top of the spider assembly (P) keyed ring goes over screws (N).
4. Turn spider assembly (P) counter clockwise until it stops. Tighten three screws (N) until snug against the spider assembly. Be careful not to over tighten.

## To Install Inner Glass (Figure 3)

1. Raise inner glass (T) and washer (Q) over socket aligning holes in washer (Q) so the washer keyed ring goes over screws.
2. Turn washer (Q) counter clockwise until it stops. Tighten three screws until snug against the inside of glass (T). Be careful not to over tighten.
3. Thread the first retaining ring (M) on to socket until it is snug against washer (Q).
4. Thread the second retaining ring (M) onto socket until it is snug against the first retaining ring. Do not over tighten. Disregard this step for the "F" version.
5. Install light bulb. "LED" version bulb is included.
6. Restore electricity at the main breaker.



(Figure 3)



If you need further assistance, or find that you are missing any parts, please contact the dealer from which you purchased this product. We hope you enjoy your fixture!

**\* Hubbardton Forge will not be liable for injury or damage caused by improper installation, lamping or use of this fixture.**