

Installation Instructions

CAUTION: FAILURE TO INSTALL THIS FIXTURE PROPERLY MAY RESULT IN SERIOUS PERSONAL INJURY OR DEATH AND PROPERTY DAMAGE. We recommend installation by a licensed electrician.

This product must be installed in accordance with applicable installation code(s), by a person familiar with the construction and operation of the product and the hazards involved.*

Caution: Do not exceed maximum wattage noted on fixture. Use only recommended bulbs with fixture.

Caution: Damp location outdoor hanging fixtures are designed for use in covered spaces such as porches protected from prolonged exposure to water and wind. If installing in locations subject to wind the use of supplementary chains, cables, or similar restraints may be necessary to protect against swinging and twisting. If in doubt consult a qualified installer.

To Install Fixture (Figure 1)

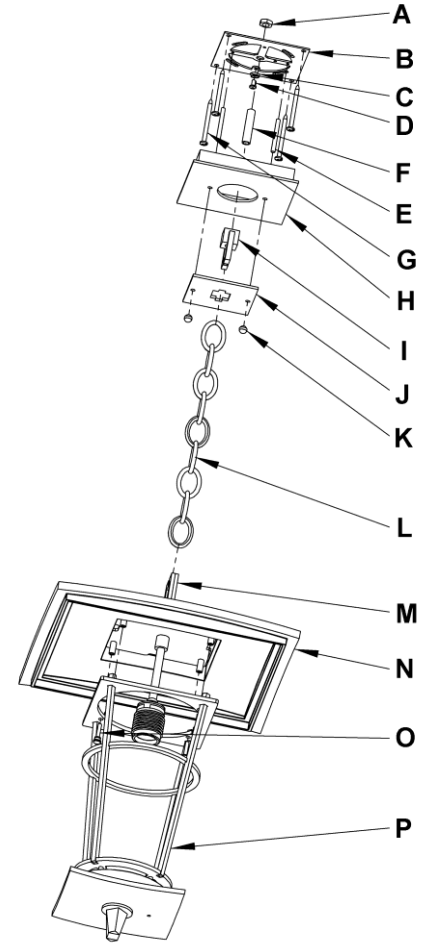
Component Parts

- | | |
|---------------------|-------------------|
| A Lock Nut | I Canopy Loop |
| B Crossbar | J Cover Plate |
| C Cupped Washer | K Knurl Ball (2) |
| D Ground Screw | L Chain |
| E Threaded Stud (2) | M Fixture Loop |
| F Nipple | N Fixture Top |
| G Wood Screws (4) | O Thumb Screw (4) |
| H Canopy | P Bottom Assembly |

Caution: Be sure power is off at the main breaker box prior to installation

- Carefully unpack the fixture from the carton.
- Remove bottom assembly (P) from fixture top by removing thumb screws (O). Save for later use.
- Thread studs (E) through appropriate holes in crossbar (B) to match holes in canopy (H).
- Thread the nipple (F) into the cross bar (B) and secure with lock nut (A).
- Thread canopy loop (I) onto nipple (F).
- Attach one end of the chain (L) to the fixture loop (M). Lace the wire through every other link of the chain (L) to the end.
- Slide cover plate (J) and canopy (H) over chain (L) until they rest against fixture top (N).
- Fasten the chain (L) to the canopy loop (I) and slip wires through the canopy loop (I) and nipple (F). Make sure to provide enough slack in the wire to ensure weight of fixture is supported by the chain.
- Raise fixture to ceiling and using at least two wood screws (G) attach cross bar (B) to a structural member in the ceiling, centering the crossbar over the outlet box. We've supplied wood screws with your fixture; however, different materials and/or construction methods may require different fasteners. If in doubt, contact a qualified electrician. Do not attach crossbar directly to outlet box.
- Using suitable wire connectors (not provided) connect fixture wires to supply wires (white to ribbed side of the fixture cord, black to smooth side). Connect all ground wires to cupped washer (C) and ground screw (D).

Caution: Make sure wire connectors are twisted on securely, and no bare wire is exposed.



(Figure 1)

(continued)

Installation Instructions

For Beacon Hall Chain-Hung Fixture 36-4820 & 36-4820F

A215

Page 2 of 3

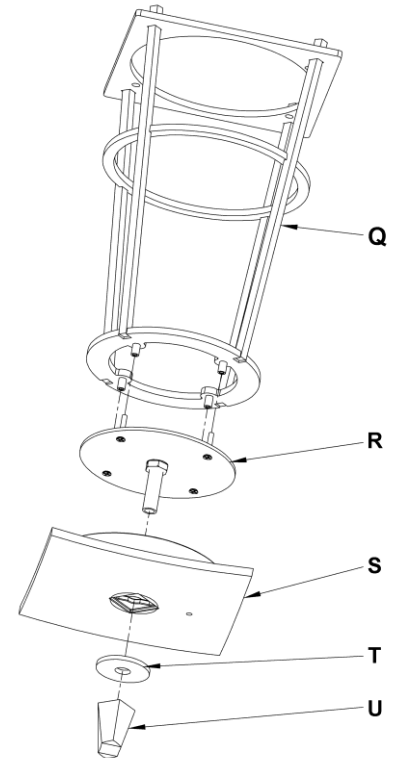
- Slide canopy (H) and cover plate (J) over threaded studs (E) and push firmly to ceiling, making sure that no wires are pinched between fixture canopy and ceiling. Fasten with knurled balls (K). Be sure studs (E) are fully seated in the knurled balls (K).
- Install glass (see instructions on next page).

To Install Inner Glass (Figures 2 & 3)

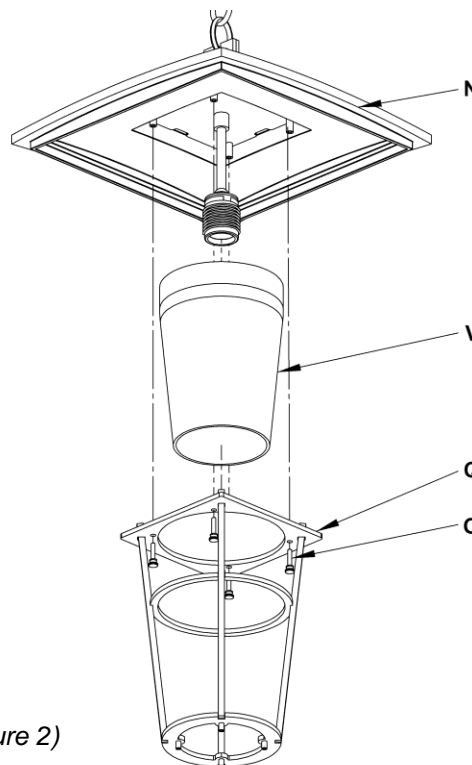
Component Parts

- N Fixture Top
- O Thumb Screw (4)
- Q Glass Cage
- R Outer Glass Plate
- S Bottom Cover
- T Washer
- U Finial
- V Inner Glass

- Unthread finial (U) from outer glass plate (R). Remove washer (T) and bottom cover (S) and save for later use.
- Unthread the four screws in the outer glass plate (R) from the glass cage (Q). Set aside for later use.
- Slip inner glass (V) in glass cage (Q).
- Install light bulb. "*F*" version bulb is included.
- Attach glass cage (Q) to fixture top (N) using the four thumb screws (O).



(Figure 3)



(Figure 2)

(continued)

Installation Instructions

For Beacon Hall Chain-Hung Fixture 36-4820 & 36-4820F

A215

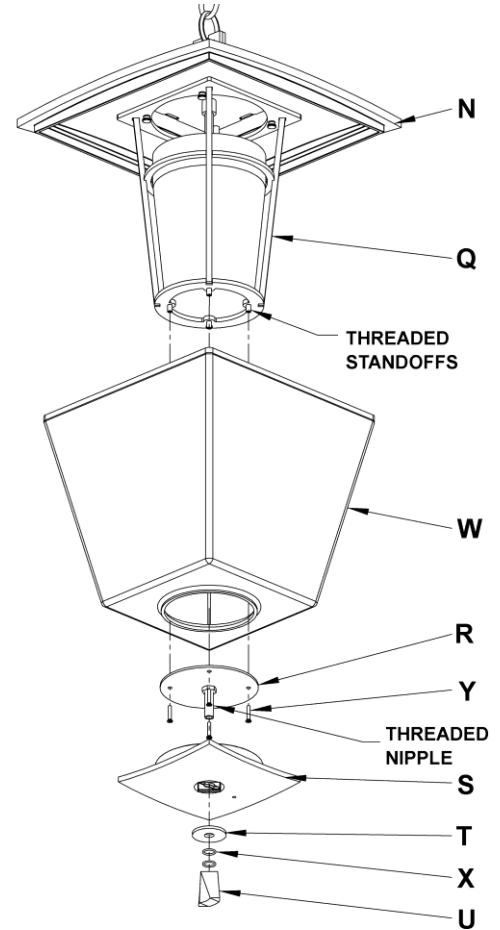
Page 3 of 3

To Install Outer Glass (Figure 4)

Component Parts

- N Fixture Top
- Q Glass Cage
- R Outer Glass Plate
- S Bottom Cover
- T Washer
- U Finial
- W Outer Glass
- X O-Ring (2) (Packed in mounting kit)
- Y Flat Head Screws (4)

1. Raise outer glass (W) up to fixture top (N) followed by outer glass plate (R). Thread the four flat head (Y) screws into the threaded standoffs until tight. *Be careful not to over tighten.*
2. Slip bottom cover (S), washer (T) and two o-rings (X) over threaded nipple in outer glass plate (R). Thread finial (U) onto threaded nipple until snug. *Be careful not to over tighten.*



(Figure 4)

If you need further assistance, or find that you are missing any parts, please contact the dealer from which you purchased this product. We hope you enjoy your fixture!

* Hubbardton Forge will not be liable for injury or damage caused by improper installation, lamping or use of this fixture.