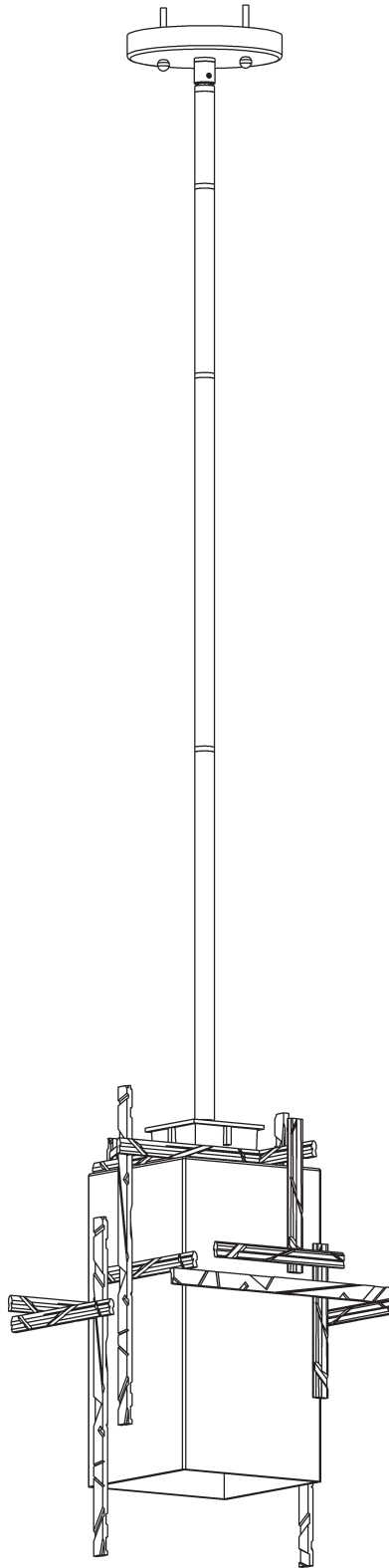


ASSEMBLY & INSTALLATION INSTRUCTIONS

A884

Tura Outdoor Pendant 363015



HUBBARDTON FORGE.

MODERN AMERICAN BLACKSMITHS | FINE, HAND CRAFTED LIGHTING
CASTLETON, VERMONT USA | HUBBARDTONFORGE.COM

Component Parts

- A Fixture**
- B Fixture Coupling**
- C Canopy**
- D Crossbar**
- E Ground Screw**
- F Threaded Stud (2)**
- G Knurled Ball (2)**
- H 3" Fixture Pipe (1)**
- I 6" Fixture Pipe (1)**
- J 12" Fixture Pipe (2)**
- K Double Pipe Coupling (3)**
- L Socket**
- M Glass**
- N Retaining Ring**
- O Retaining Ring Tool**
- P White Washer**
- Q Bulb (Not Included)**



ASSEMBLY & INSTALLATION INSTRUCTIONS

A884

Tura Outdoor Pendant 363015

CAUTION: FAILURE TO INSTALL THIS FIXTURE PROPERLY MAY RESULT IN SERIOUS PERSONAL INJURY OR DEATH AND PROPERTY DAMAGE. We recommend installation by a licensed electrician. This product must be installed in accordance with applicable installation code(s), by a person familiar with the construction and operation of the product and the hazards involved.*

Caution: Do not exceed maximum wattage noted on fixture. Use only recommended bulbs with fixture.

Please Note: After installation extra hardware and accessories are possible due to our kits are used on multiple products and options.

To Install Fixture (Figure 1 - on following page)

CAUTION: BE SURE POWER IS OFF AT THE MAIN BREAKER BOX PRIOR TO INSTALLATION.

1. Carefully unpack the fixture from the carton.
2. Feed supply wires through the center of the crossbar (D) with ground screw (E) facing down. Using two machine screws (not provided), fasten the crossbar (D) to the electric box.

Note: A new electric box comes with screws. When replacing a fixture, retain the existing screws for use with the new fixture.

3. Thread studs (F) through appropriate holes in crossbar (D) to match holes in canopy (C).
4. Locate fixture pipes (H, I, J), fixture (A) and couplings (K). Couplings can be found in the kit bag
5. Provided are multiple fixture pipes in three different lengths. Choose the combination that will achieve the overall height desired. Refer to the table below to determine the pipes required to reach the desired overall height. Once you have determined the components necessary, feed the wires that exit the fixture coupling (B) through the individual components. Wires will slip easier through loose components than through pipes and couplings that are pre-assembled.

		Overall Height of Fixture										
		19.7	22.7	25.7	28.7	31.7	34.7	37.7	40.7	43.7	46.7	49.7
# of Pipes Required	3" Pipe (H)	1		1		1		1		1		1
	6" Pipe (I)		1	1			1	1			1	1
	12" Pipe (J)				1	1	1	1	2	2	2	2

6. Apply a drop of the supplied thread locking compound to the internal threads of fixture coupling (B) and pipe couplings (K). Thread pipes (H, I & J) and pipe couplings (K) together.

Note: Application of the thread locking compound is necessary to prevent the stem from loosening during regular maintenance and cleaning of the fixture. Be certain to apply the compound.

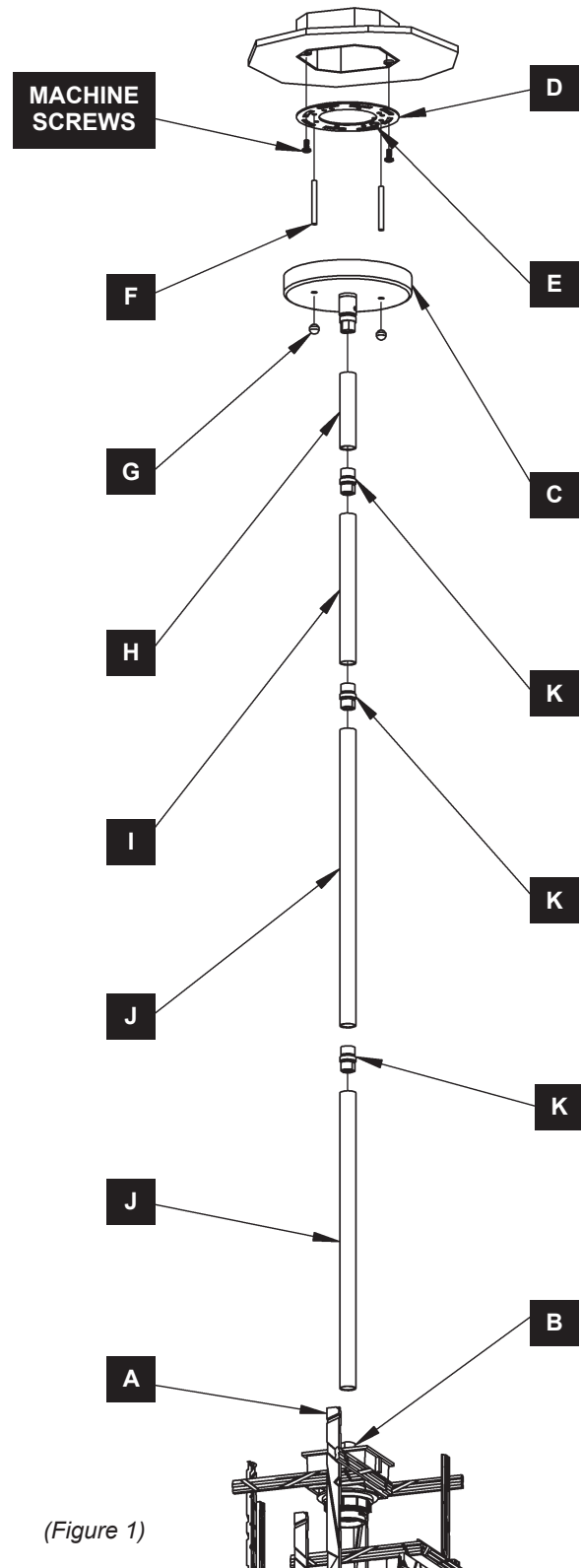
7. Thread pipe assembly on to the fixture coupling (B).
8. Feed wires through the canopy (C).
9. Thread canopy (C) onto fixture pipe assembly.
10. Raise fixture close to ceiling.
11. Refer to instructions on next page to continue installation.

Tura Outdoor Pendant 363015

12. Using suitable wire connectors (not provided) connect fixture wires to supply (white to white and black to black). Attach a pigtail lead to the crossbar ground screw (E). Connect all ground wires (bare copper or green to bare copper or green).

CAUTION: MAKE SURE WIRE CONNECTORS ARE TWISTED ON SECURELY, AND NO BARE WIRE IS EXPOSED.

13. Slide canopy (C) over threaded studs (F) and push firmly to ceiling, making sure that no wires are pinched between canopy (C) and ceiling. Fasten with knurled balls (G). Be sure studs (F) are fully seated in the knurled balls (G).
14. Follow steps on next page to complete install.



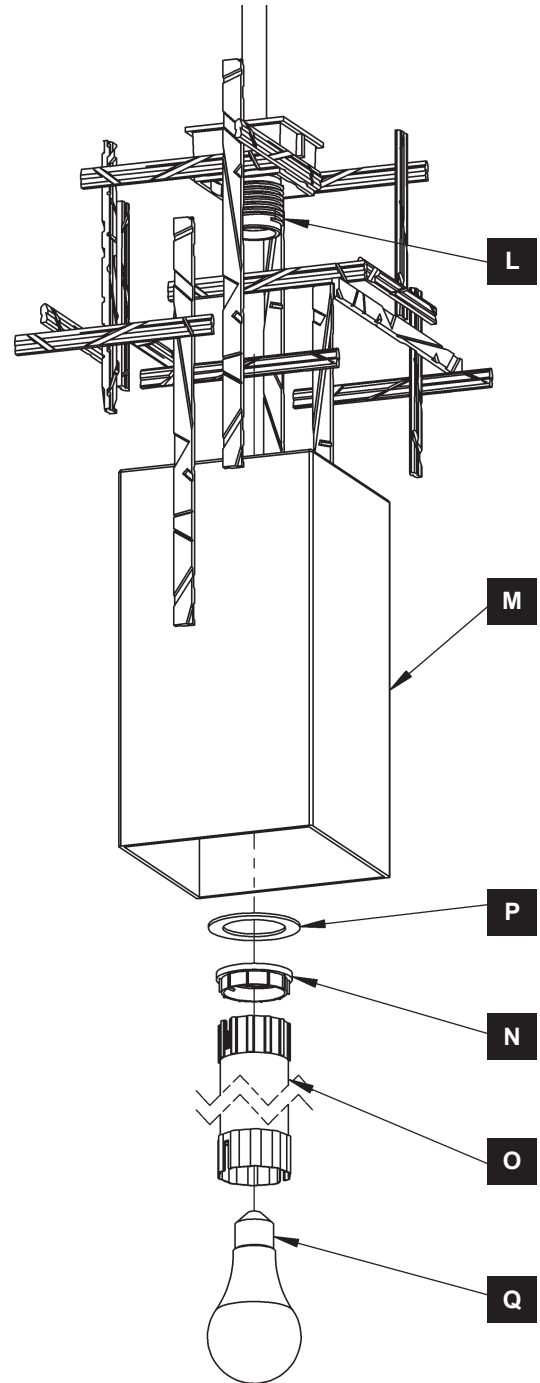
Tura Outdoor Pendant 363015

To Install Glass *(Figure 3)*

1. Retaining ring (N) is shipped installed. Remove and retain for next steps.
2. Carefully unpack glass (M).
3. Slide glass (M) over socket (L) followed by white washer (P) and, using tool (O) provided, secure both with retaining ring (N).

Note: *Be sure not to over tighten as this could break the glass (M).*

4. Install bulb (Q), not included, into socket (L).
5. Restore electricity at the main breaker



(Figure 2)

If you need further assistance, or find that you are missing any parts, please contact the dealer from which you purchased this product. We hope you enjoy your fixture!
 *Hubbardton Forge will not be liable for injury or damage caused by improper installation, lamping or use of this fixture.