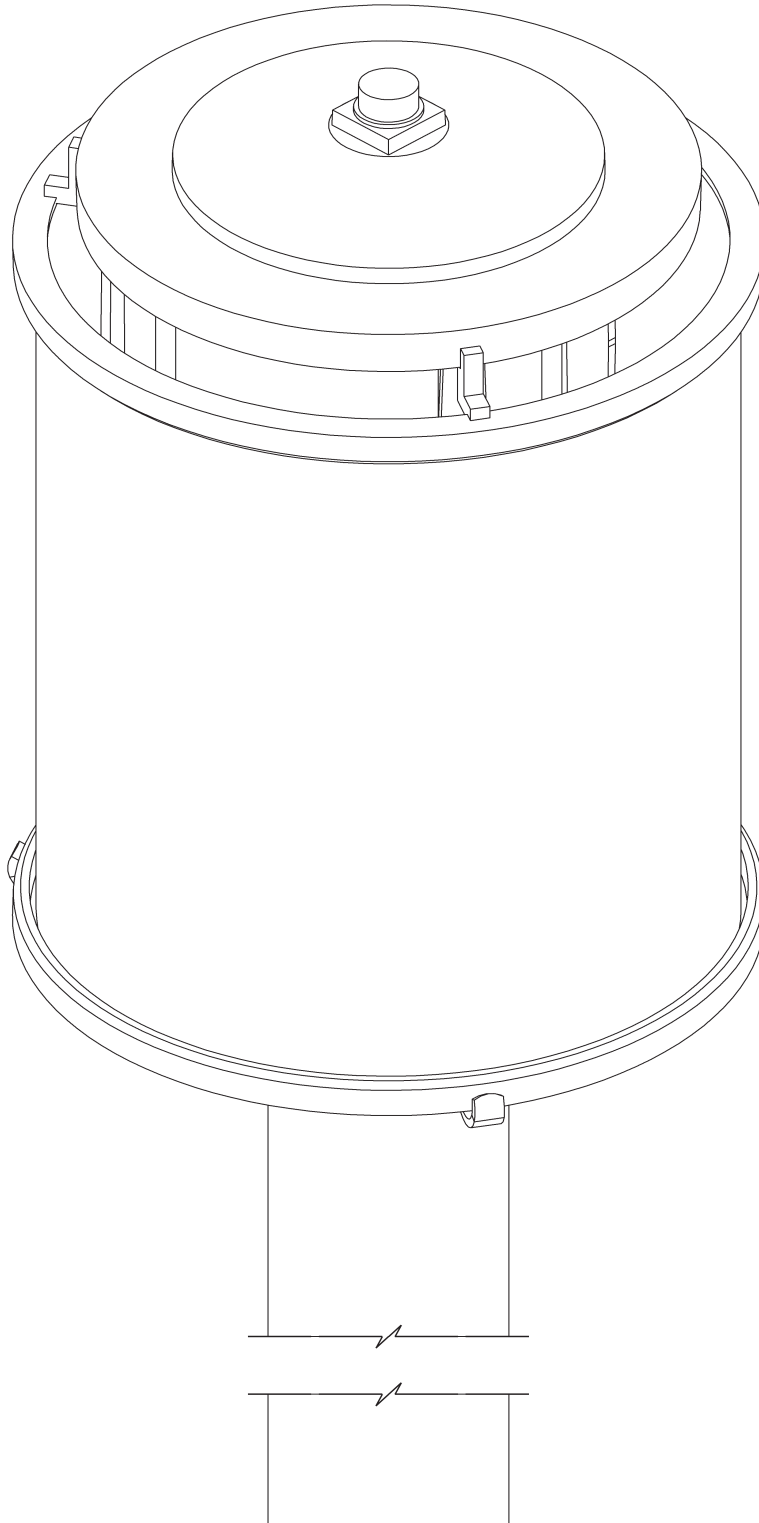


# ASSEMBLY & INSTALLATION INSTRUCTIONS

G12

Meridian Post Light 345610



## Component Parts

***NOTE: Items A through F are options sold and shipped separately to allow for various site situations and shown here for reference during installation as applicable***

- A Post / Pier Mount - Optional and sold separately**
- B J Bolt - Included with optional post/pier mount**
- C Flat Washer (4) - Included with optional post/pier mount**
- D Split Washer (4) - Included with optional post/pier mount**
- E Hex Nut (4) - Included with optional post/pier mount**
- F Cover Cap - Optional and sold separately**
- G Set Screw**
- H Fixture**
- I Socket**
- J Nipple**
- K Plate**
- L Inner Glass**
- M 8-32 x 3/8" Screws (3)**
- N Spider Assembly**
- O Outer Glass**
- P Top Cap**
- Q Threaded Cap**
- R Rubber Washer**



# ASSEMBLY & INSTALLATION INSTRUCTIONS

G12

Meridian Post Light 345610

**CAUTION: FAILURE TO INSTALL THIS FIXTURE PROPERLY MAY RESULT IN SERIOUS PERSONAL INJURY OR DEATH AND PROPERTY DAMAGE.** We recommend installation by a licensed electrician. This product must be installed in accordance with applicable installation code(s), by a person familiar with the construction and operation of the product and the hazards involved.\*

**Caution:** Do not exceed maximum wattage noted on fixture. Use only recommended bulbs with fixture.

Please Note: After installation extra hardware and accessories are possible; our kits are used on multiple products.

## To Install (Figure 1)

**CAUTION: BE SURE POWER IS OFF AT THE MAIN BREAKER BOX PRIOR TO INSTALLATION.**

**NOTE: Fixture, Post and Cover Cap each sold separately.**

### SITE PREPERATION:

1. Run appropriate wiring to the site of the fixture, leaving enough excess wire to reach the top of the post, plus 12 inches.
2. Pour flat and level concrete base with wiring emerging at the center. Insert J bolts (B) so approximately 1" of the bolts are exposed above the concrete. Position J bolts according to the template on the last page of these instructions. Allow concrete to cure before installing fixture.

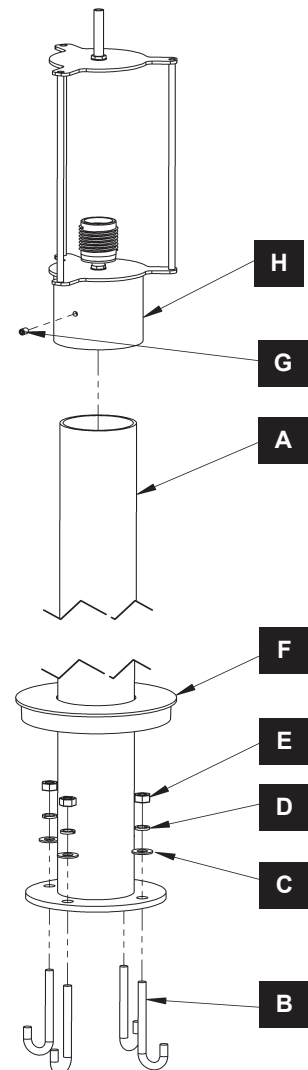
### INSTALLATION:

**NOTE: Post may be cut to desired height before installation.**

3. Position post (A) over J bolts (B), feeding supply wire up though the post and secure using flat washers (C), split washers (D) and hex nuts (E).
4. Place optional cover cap (sold separately) (F) over post (A) to conceal mounting hardware.
5. Connect fixture wires to supply wires using appropriate wire connectors (not provided), black to black (or smooth), white to white (or ribbed) and bare copper or green to bare copper or green.

**CAUTION: MAKE SURE WIRE CONNECTORS ARE TWISTED ON SECURELY AND NO BARE WIRE IS EXPOSED.**

6. Place fixture (H) onto post (A), carefully tucking all wiring down into post and making sure no wires are pinched between the post and the fixture. Secure with set screw (G).
7. Follow steps on next page to install glass.

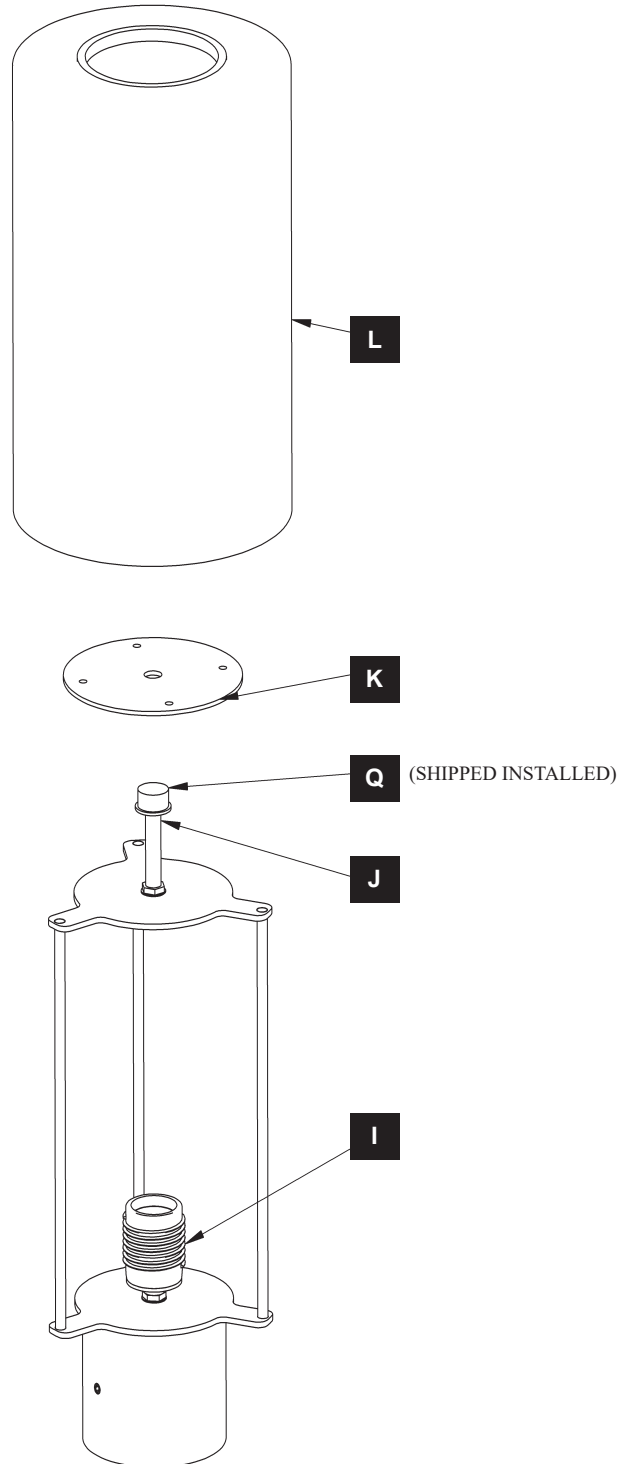


(Figure 1)

Meridian Post Light 345610

## To Install Inner Glass (Figure 2)

1. Install light bulb (not included) into socket (I).
2. Remove threaded cap (Q) from nipple (J). Save for later use.
3. Place plate (K) over nipple (J) followed by inner glass (L).
4. Inner glass installation complete.



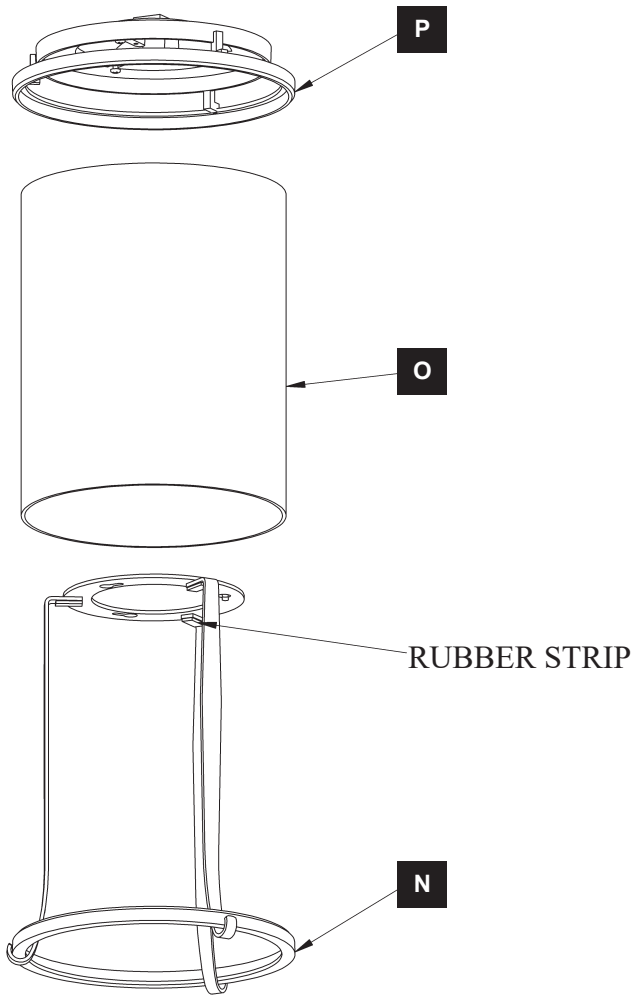
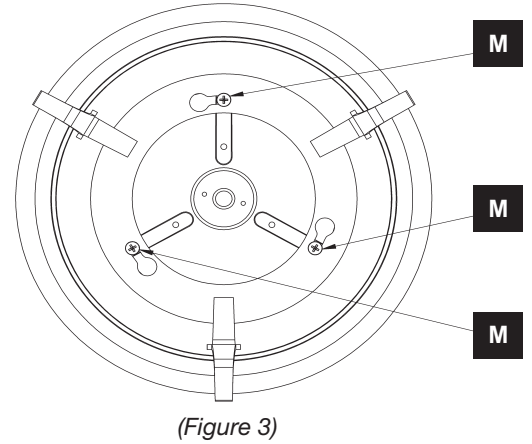
(Figure 2)



Meridian Post Light 345610

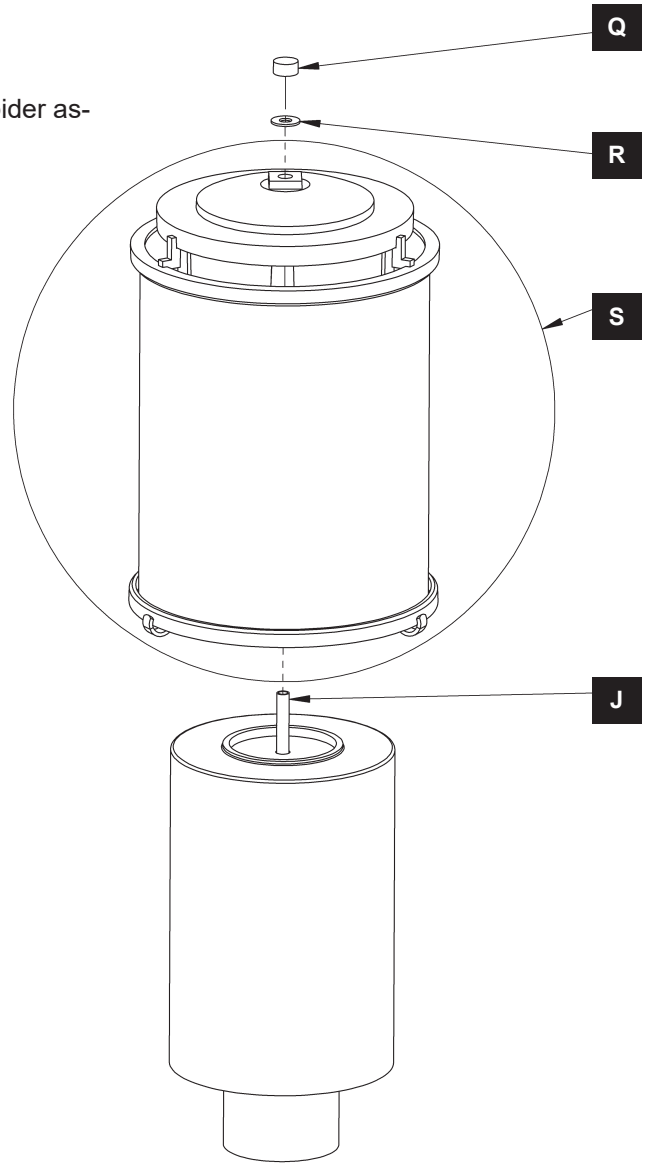
## To Install Outer Glass (Figures 3 & 4)

1. Loosen screws (M) so that spider assembly (N) will turn clock wise. It is not necessary to completely remove the screws (M) from fixture. Once spider assembly (N) is loose turn until it slips over the heads of the screws (M). Set aside for step 2 (Figure 3).
2. Install rubber strips as shown in figure 4. Strips are adhesive backed on one side.
3. Slip glass (O) over spider assembly (N).
4. Place top cap (P) over glass (O) aligning screws (M) into slots. Turn the top cap counter clockwise until it stops.
5. Tighten screws (M).
6. Outer glass installation is complete.

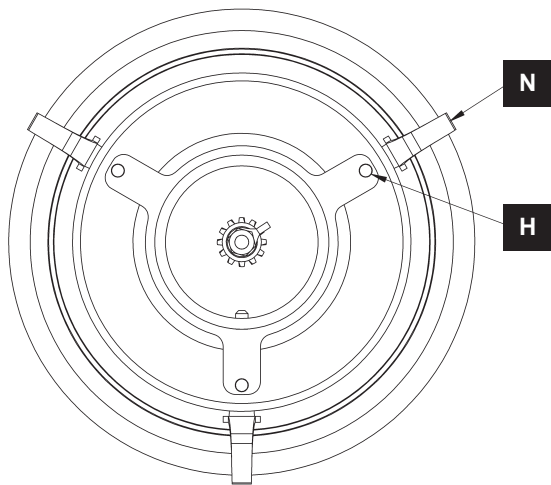


## To Install Outer Glass Assembly over Inner Glass Assembly *(Figures 5 & 6)*

1. Slide outer glass assembly (S) over nipple (J) (Figure 5).
2. Position rods within the fixture (H) so they are in line with spider assembly (N) (Figure 6).
3. Place rubber washer (R) over nipple (J).
4. Thread cap (Q) on to nipple (J).
5. Restore electricity at the main breaker.



*(Figure 5)*



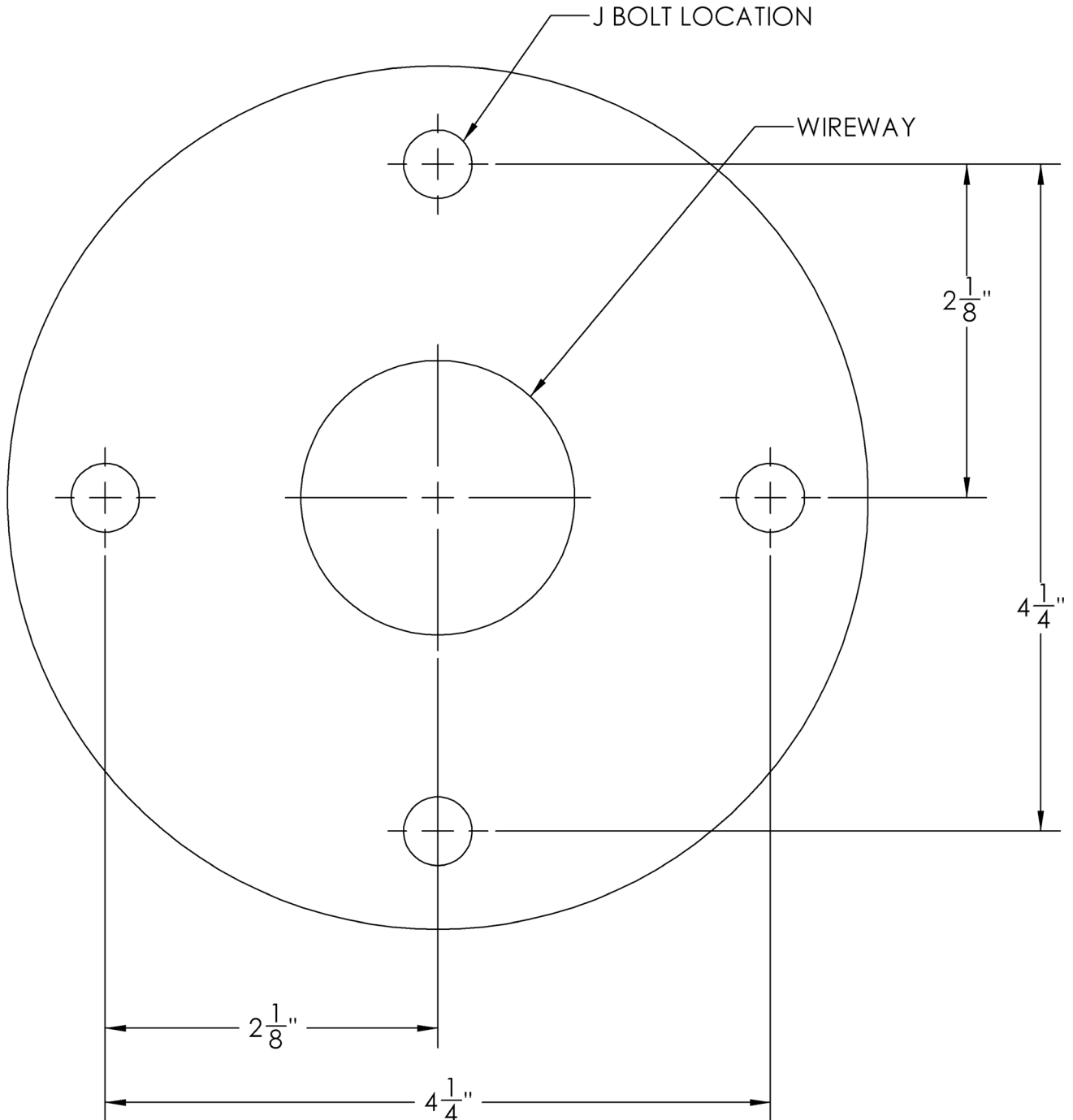
*(Figure 6)*

# ASSEMBLY & INSTALLATION INSTRUCTIONS

G12

Meridian Post Light 345610

**USE THIS TEMPLATE TO POSITION J BOLTS AND WIREWAY IN CONCRETE SLAB PRIOR TO INSTALLING OUTDOOR POST MOUNTED LIGHTING FIXTURE.**



If you need further assistance, or find that you are missing any parts, please contact the dealer from which you purchased this product. We hope you enjoy your fixture!

**\* Hubbardton Forge will not be liable for injury or damage caused by improper installation, lamping or use of this fixture.**