

Installation Instructions

For Outdoor Wall Sconce 30-7930

B174

Page 1 of 4

CAUTION: FAILURE TO INSTALL THIS FIXTURE PROPERLY MAY RESULT IN SERIOUS PERSONAL INJURY OR DEATH AND PROPERTY DAMAGE. We recommend installation by a licensed electrician.

This product must be installed in accordance with applicable installation code(s), by a person familiar with the construction and operation of the product and the hazards involved.*

Caution: Do not exceed maximum wattage noted on fixture. Use only recommended bulbs with fixture.

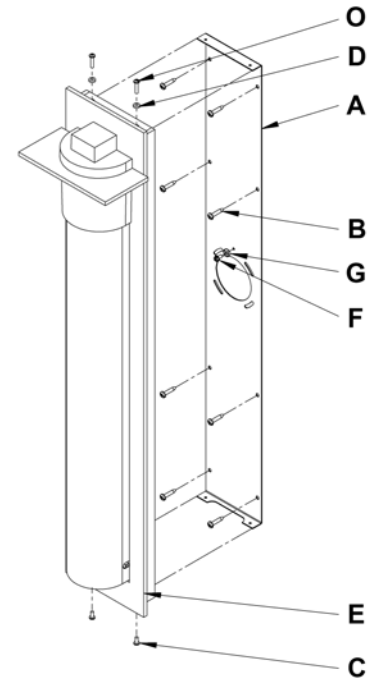
To Install Fixture to Wall (Figures 1 & 2)

Component Parts

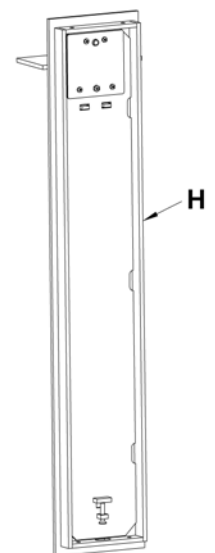
- A Mounting Bracket
- B Wood Screws (8)
- C 3/8" Long Black Screws (2)
- D Rubber Washer (2)
- E Fixture Assembly
- F Ground Screw
- G Cupped Washer
- H Caulking Lip
- O 3/4" Long Black Screws (2)

Caution: Be sure power is off at the main breaker box prior to installation.

1. Carefully unpack the fixture from the carton.
2. Center the wall mount bracket (A) over the electrical box being sure to hold it plum and level. With a pencil, mark the location of all mounting holes in the wall mount bracket on the wall behind. We've supplied wood screws with your fixture; however, different materials and/or construction methods may require different fasteners. If in doubt, contact a qualified electrician.
IMPORTANT: This fixture must be mounted or supported independently of an outlet box.
3. Thread the wires in the electrical box through the center hole in the wall mount bracket while moving the bracket into position. Using the wood screws (B), screw the bracket securely to the wall.
4. Hold the fixture assembly (E) close to the wall mount bracket and using suitable wire connectors (not provided), connect fixture wires to supply wires (white to white, black to white, and bare copper or green to bare copper or green). Ground the mounting bracket using the green ground screw (F) and cupped washer (G) to secure a pigtail lead to the bracket. **Caution:** Make sure wire connectors are twisted on securely and no bare wires are exposed.
5. Apply a generous bead of a suitable caulking material to caulking lip (H) on fixture.
6. Carefully tuck all wires behind the fixture, place fixture firmly onto bracket (A) and fasten with two 3/4" long black screws (C) and two rubber washers (D) on top. (*Rubber side of the washer goes against top of fixture*)
7. Install two 3/8" long black screws (C) in bottom of fixture attaching to wall mounting bracket (A).
8. Install light bulb (not provided).
9. Continue to diffuser option installation.



(Figure 1)



(Figure 2)

Installation Instructions

For Outdoor Wall Sconce 30-7930

B174

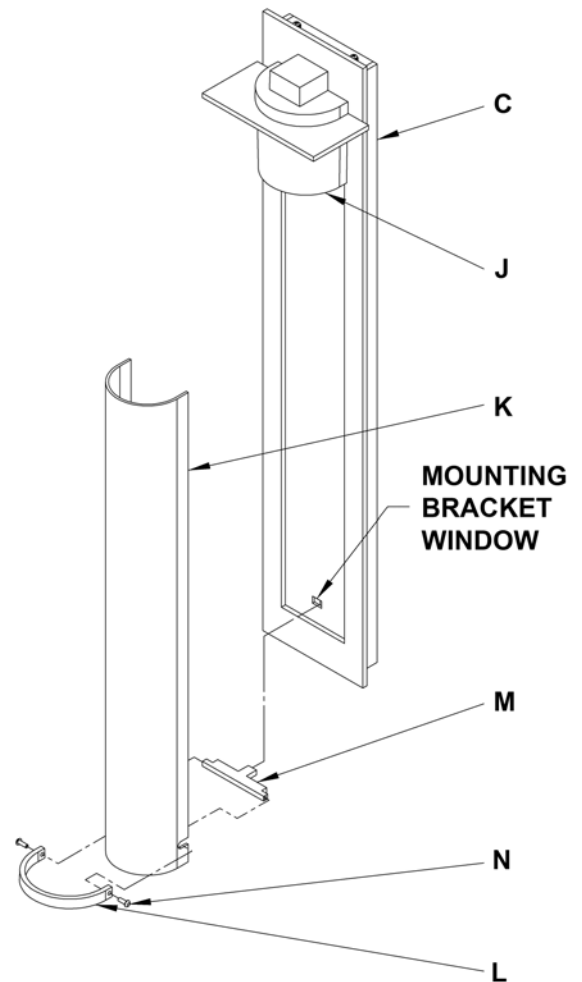
Page 2 of 4

To Assemble & Install Glass Option (Figures 3 & 4)

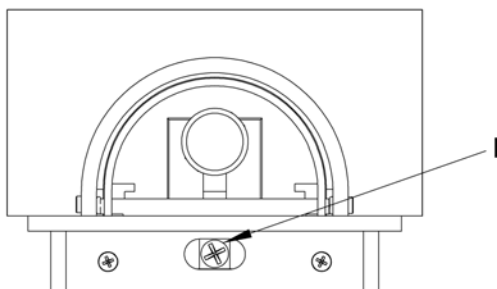
Component Parts

- C Fixture
- I Brass Screw
- J Top Ring
- K Glass
- L Retaining Ring
- M Mounting Bracket
- N Cap Screw (2)

1. Slide retaining ring (L) over glass (K) aligning holes with slots in glass.
2. Slip cap screw (N) thru hole in retaining ring (L) (*both sides*).
3. Align mounting bracket (M) with holes in retaining ring (L).
4. Thread cap screws (N) into mounting bracket (M) and tighten.
5. Slide glass (K) into top ring (J) and align tab on mounting bracket (M) with the mounting bracket window in the fixture (C).
6. When glass (K) is tight against fixture (C) tighten brass screw (I) from the bottom of the fixture. *See Figure 4.*
7. Restore electricity at the main breaker.



(Figure 3)



(Figure 4)

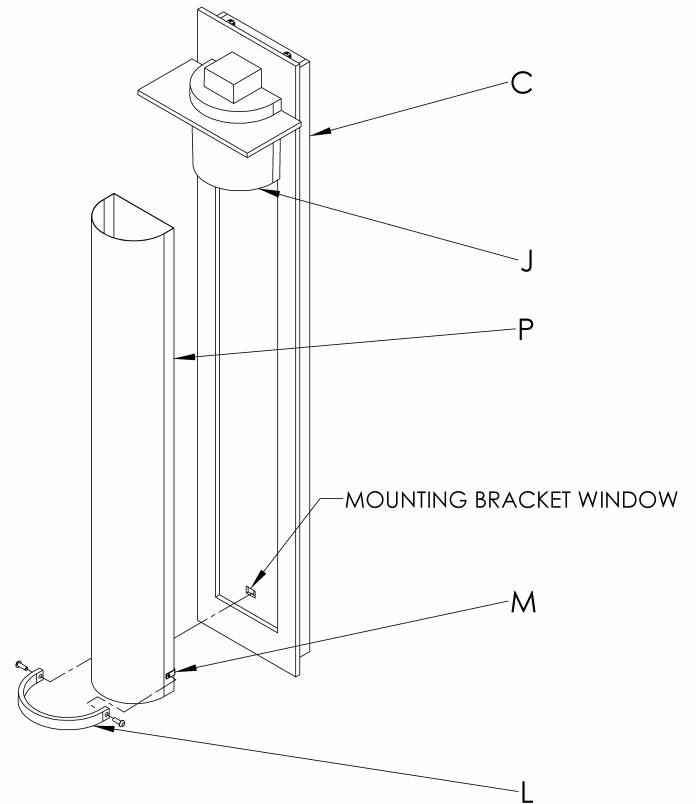
(continued)

To Assemble & Install Screen Option (Figures 5 & 6)

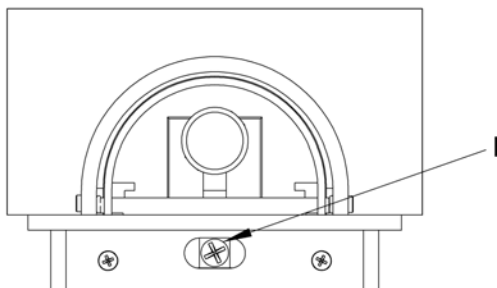
Component Parts

- C Fixture
- I Brass Screw
- J Top Ring
- L Retaining Ring
- M Mounting Bracket
- N Cap Screw (2)
- P Mesh Screen

1. Slide retaining ring (L) over mesh screen (P) aligning holes with holes in mesh screen.
2. Slip cap screw (N) thru hole in retaining ring (L) (*both sides*).
3. Align mounting bracket (M) with holes in retaining ring (L).
4. Thread cap screws (N) into mounting bracket (M) and tighten (*both sides*).
5. Slide mesh screen (P) into top ring (J) and align tab on mounting bracket (M) with the mounting bracket window in the fixture (C).
6. When mesh screen (P) is tight against fixture (C) tighten brass screw (I) from the bottom of the fixture. *See Figure 6.*
7. Restore electricity at the main breaker.



(Figure 5)



(Figure 6)

(continued)

Installation Instructions

For Outdoor Wall Sconce 30-7930

B174

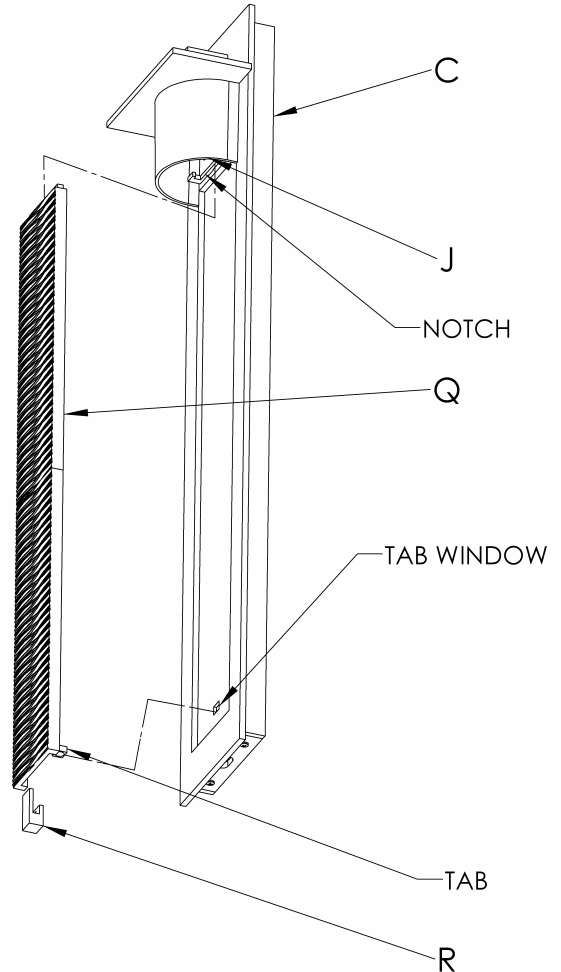
Page 4 of 4

To Assemble & Install Textured Plate Option (Figures 7 & 8)

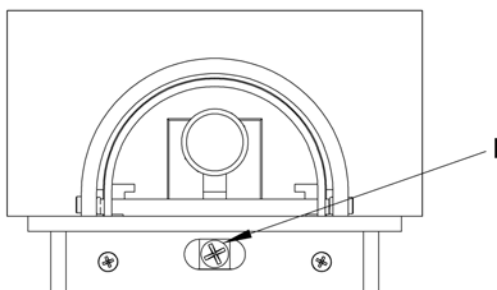
Component Parts

- C Fixture
- I Brass Screw
- J Top Ring
- Q Textured Plate Assembly
- R Spacer

1. Slip spacer (R) onto textured plate assembly (Q) and align so the screw installed in the spacer matches the dimple in the back of the textured plate assembly (Q). Tighten the set screw until snug. *Do not over tighten.*
2. Slip textured plate assembly (Q) into top ring (J) aligning the top with the notch inside the top ring (J).
3. Slip tab on textured plate assembly (Q) into the tab window in fixture (C).
4. When texture plate assembly (Q) is tight against fixture (C) tighten brass screw (I) from the bottom of the fixture. *See Figure 8.*
5. Restore electricity at the main breaker.



(Figure 7)



(Figure 8)

If you need further assistance, or find that you are missing any parts, please contact the dealer from which you purchased this product. We hope you enjoy your fixture!

* Hubbardton Forge will not be liable for injury or damage caused by improper installation, lamping or use of this fixture.