

# Installation Instructions

**B109**

For Direct Wire Fluorescent Wall-Mounted Wet-Location Fixtures

Page 1 of 2

**CAUTION: FAILURE TO INSTALL THIS FIXTURE PROPERLY MAY RESULT IN SERIOUS PERSONAL INJURY OR DEATH AND PROPERTY DAMAGE. We recommend installation by a licensed electrician.**

This product must be installed in accordance with applicable installation code(s), by a person familiar with the construction and operation of the product and the hazards involved.\*

**Caution:** Do not exceed maximum wattage noted on fixture. Use only recommended bulbs with fixture.

For fixtures requiring assembly, please refer to assembly instructions before installation.

**Please Note:** This fixture is designed to be mounted on a standard wall surface and may not be suitable for all applications. If installing in a non-wood frame application, we recommend consulting a qualified builder or electrician.

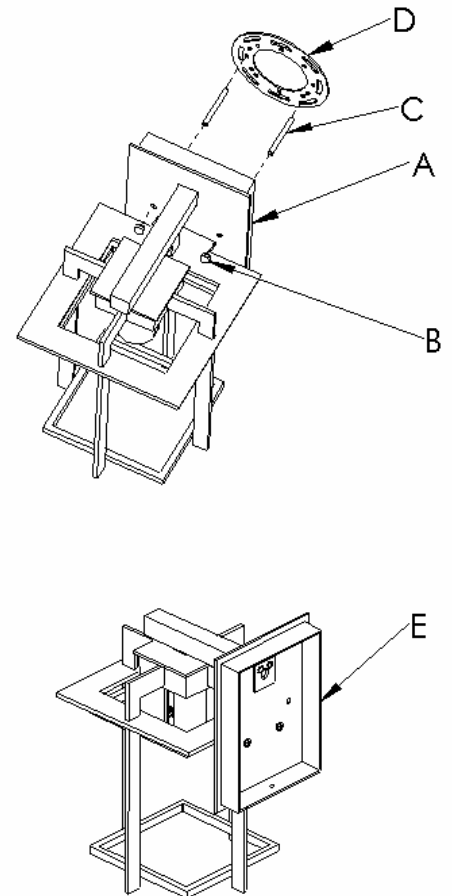
## To Install the Fixture (Figure 1)

### Component Parts

- A Fixture
- B Knurled Balls (2)
- C 8-32 Studs (2)
- D Cross Bar
- E Caulking Lip

**Caution: Be sure power is off at the main breaker box prior to installation.**

1. Carefully unpack the fixture from the carton.
2. Using two machine screws (not provided) attach cross bar (D) to the electric box using outer oval holes to orient fixture.  
**Note:** A new electric box comes with screws. When replacing a fixture, retain the screws for use with the new fixture.
3. Thread the two studs (C) into the appropriate holes in the crossbar (D). Adjust the studs to proper length to ensure the fixture will fit snugly to the wall.
4. Using suitable wire connectors (not provided), connect the fixture wires to the supply wires, (white to white, black to black, bare copper or green to bare copper or green). **Caution:** Make sure wire connectors are twisted on securely and no bare wires are exposed.
5. Apply a generous bead of a suitable caulking material (not supplied) to caulking lip (E) on the fixture.
6. Carefully tuck all wires behind the fixture, place fixture firmly against the wall and fasten with knurled balls (B). To ensure a water tight seal, apply a thin bead of caulking around entire perimeter of the fixture (E).
7. Install light bulb (not provided) and glass. (See to install glass section)
8. Restore electricity at the main breaker.



(Figure 1)

(continued)

# Installation Instructions

For Direct Wire Fluorescent Wall-Mounted Wet-Location Fixtures

**B109**

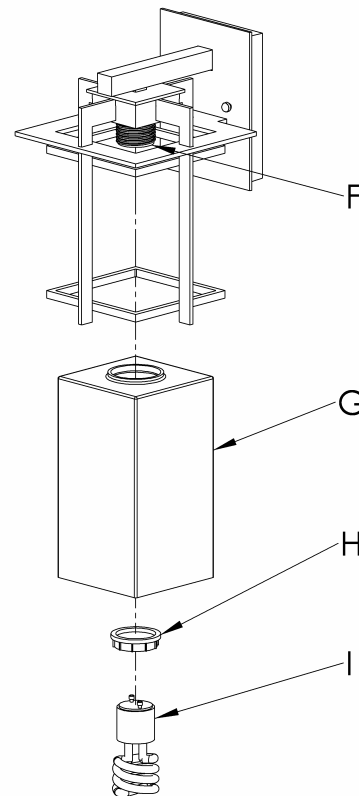
Page 2 of 2

## **To Install Glass** (Figure 2)

### Component Parts

- F Socket
- G Glass
- H Retaining Ring
- I Bulb (provided)

1. Unthread retaining ring (H) from socket (F) and save for later use.
2. Place glass (G) over socket (F).
3. Thread retaining ring (H) on to socket (F) until snug against top of glass (G).  
*Be careful not to over tighten.*
4. Install light bulb (I).



(Figure 2)

*If you need further assistance, or find that you are missing any parts, please contact the dealer from which you purchased this product. We hope you enjoy your fixture!*

\* Hubbardton Forge will not be liable for injury or damage caused by improper installation, lamping or use of this fixture.