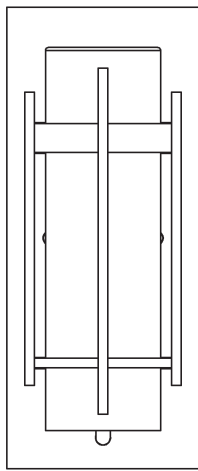


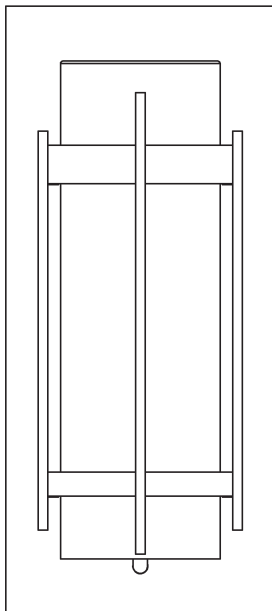
ASSEMBLY & INSTALLATION INSTRUCTIONS

B418

Banded Outdoor Sconce w/ Clear and Frosted Glass 305896 ,305897, 305898

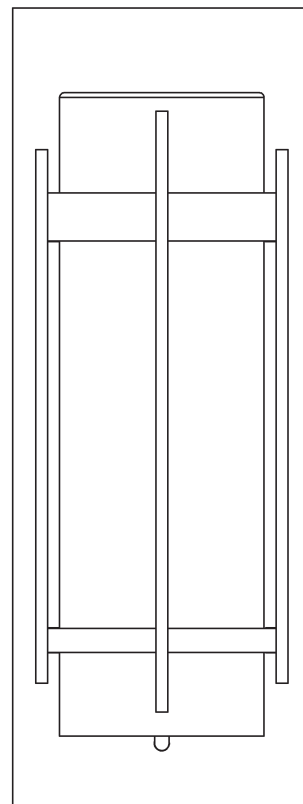


305896



305897

(Shown in Illustrations)



305898



HUBBARDTON FORGE.

MODERN AMERICAN BLACKSMITHS | FINE, HAND CRAFTED LIGHTING
CASTLETON, VERMONT USA | HUBBARDTONFORGE.COM

Component Parts

A	Fixture
B	Crossbar
C	Stud (2)
D	Ground Screw
E	Knurled Ball (2)
F	Caulking Lip
G	O-ring (2)
H	Inner Glass
I	Outer Glass



ASSEMBLY & INSTALLATION INSTRUCTIONS

B418

Banded Outdoor Sconce w/ Clear and Frosted Glass 305896 ,305897, 305898

CAUTION: FAILURE TO INSTALL THIS FIXTURE PROPERLY MAY RESULT IN SERIOUS PERSONAL INJURY OR DEATH AND PROPERTY DAMAGE. We recommend installation by a licensed electrician. This product must be installed in accordance with applicable installation code(s), by a person familiar with the construction and operation of the product and the hazards involved.*

Caution: Do not exceed maximum wattage noted on fixture. Use only recommended bulbs with fixture.

Please Note: After installation extra hardware and accessories are possible; our kits are used on multiple products and options.

To Install Fixture (Figures 1, 2)

CAUTION: BE SURE POWER IS OFF AT THE MAIN BREAKER BOX PRIOR TO INSTALLATION.

1. Carefully unpack the fixture (A) from the carton.
2. Using two machine screws (not provided) attach crossbar (B) to the electrical box (Figure 1).

Note: A new electric box comes with screws. When replacing a fixture, retain the existing screws for use with the new fixture.

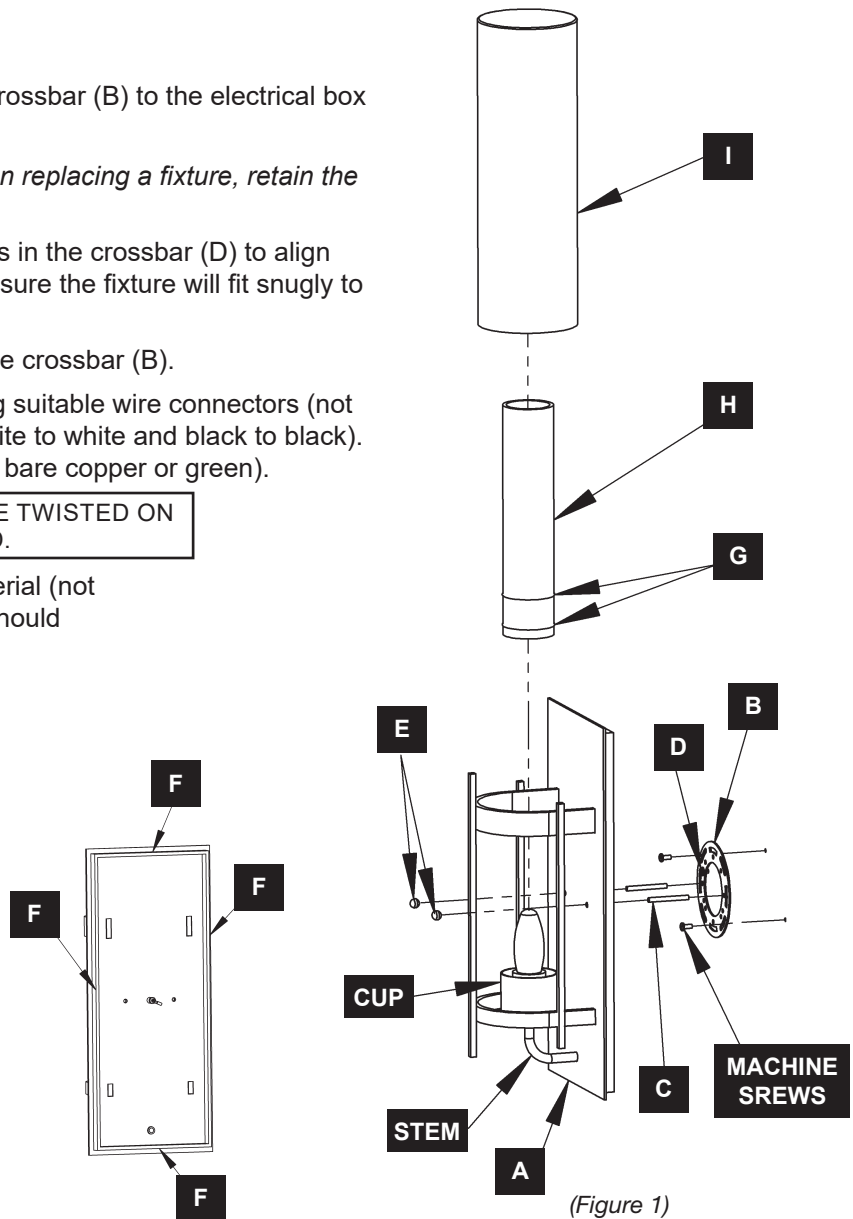
3. Thread the two studs (C) into the appropriate holes in the crossbar (D) to align with fixture. Adjust the studs to proper length to ensure the fixture will fit snugly to the wall.
4. Using ground screw (D), secure a pigtail lead to the crossbar (B).
5. Hold the fixture (A) close to the crossbar (B), using suitable wire connectors (not provided), connect fixture wires to supply wire (white to white and black to black). Connect all ground wires (bare copper or green to bare copper or green).

CAUTION: MAKE SURE WIRE CONNECTORS ARE TWISTED ON SECURELY AND NO BARE WIRES ARE EXPOSED.

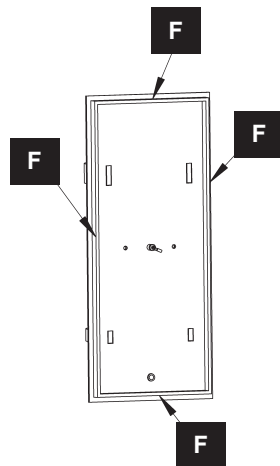
6. Apply a generous bead of a suitable caulking material (not provided) to caulking lip (F) on the fixture. Caulk should be applied around the entire perimeter of the backplate (Figure 2).
7. Carefully tuck all wires behind fixture and inside the crossbar (B). Place fixture firmly onto crossbar and fasten with two knurled balls (E).

Note: Be sure no wires are pinched between the wall and fixture, and studs are fully seated in knurled balls.

8. Install bulb (not provided) into socket.
9. Place two o-rings (G) (found in kit bag) around inner glass (H). Slide inner glass (H) over bulb into cup.
10. Place outer glass (I) over inner glass (H) until it rests on stem.
11. Restore electricity at main breaker



(Figure 1)



(Figure 2)