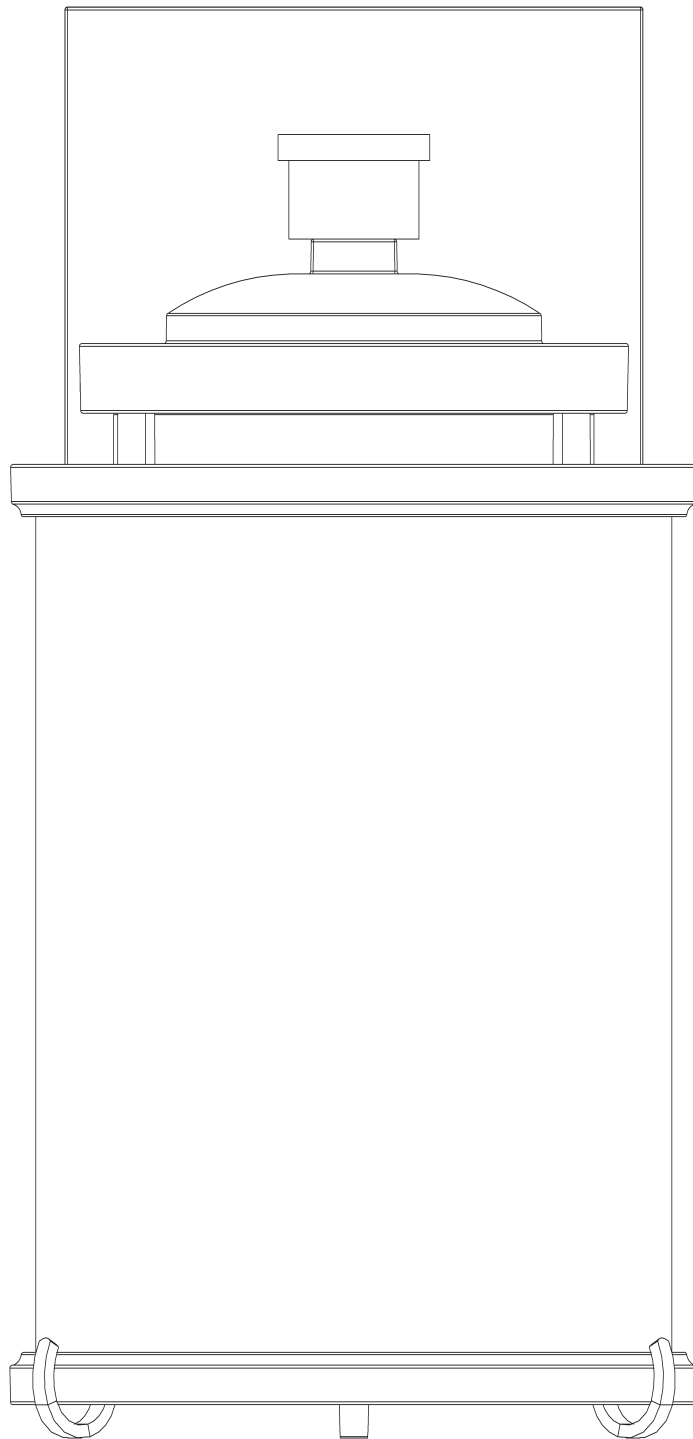


ASSEMBLY & INSTALLATION INSTRUCTIONS

B163

Outdoor Wall Sconces 305605 & 305605LED



Component Parts

- A Crossbar**
- B Threaded Studs (2)**
- C Fixture**
- D Barrel Knobs (2)**
- E Caulking Lip**
- F Screws (3)**
- G Retaining Ring (2) LED version only
has 1 retaining ring)**
- H Spider Assembly**
- I Socket**
- J Lower Glass Ring**
- K Outer Glass (larger diameter glass)**
- L Inner Glass**



ASSEMBLY & INSTALLATION INSTRUCTIONS

B163

Outdoor Wall Sconces 305605 & 305605LED

CAUTION: FAILURE TO INSTALL THIS FIXTURE PROPERLY MAY RESULT IN SERIOUS PERSONAL INJURY OR DEATH AND PROPERTY DAMAGE. We recommend installation by a licensed electrician. This product must be installed in accordance with applicable installation code(s), by a person familiar with the construction and operation of the product and the hazards involved.*

Caution: Do not exceed maximum wattage noted on fixture. Use only recommended bulbs with fixture.

Please Note: After installation extra hardware and accessories are possible; our kits are used on multiple products and options.

Please Note: Fixture enclosure to be mounted four feet from the ground.

To Install Fixture (Figures 1, 2 & 3 on following page)

CAUTION: BE SURE POWER IS OFF AT THE MAIN BREAKER BOX PRIOR TO INSTALLATION.

1. Carefully unpack the fixture (C) from the carton.
2. Remove glass retaining rings (G) and save for later use. Note – “LED” version only has one retaining ring.
3. Loosen screws (F) so that spider assembly (H) will turn clock wise. It is not necessary to completely remove screws (F) from fixture. Once spider assembly (H) is loose turn until it slips over the heads of the screws. Set aside for later use (Figure 2).
4. Using two machine screws (not provided) attach cross bar (A) to the electric box using inside oval holes to orient fixture.
Note: A new electric box comes with screws. When replacing a fixture, retain the screws for use with the new fixture.
5. Start threaded studs (B) into appropriate holes in crossbar (A).
6. Using suitable wire connectors (not provided), connect the fixture wires to the supply wires, (white to white, black to black, bare copper or green to bare copper or green). If the fixture is wired with twin lead lamp cord, connect the ribbed side to white, and the smooth side to black.

CAUTION: MAKE SURE WIRE CONNECTORS ARE TWISTED ON SECURELY AND NO BARE WIRES ARE EXPOSED.

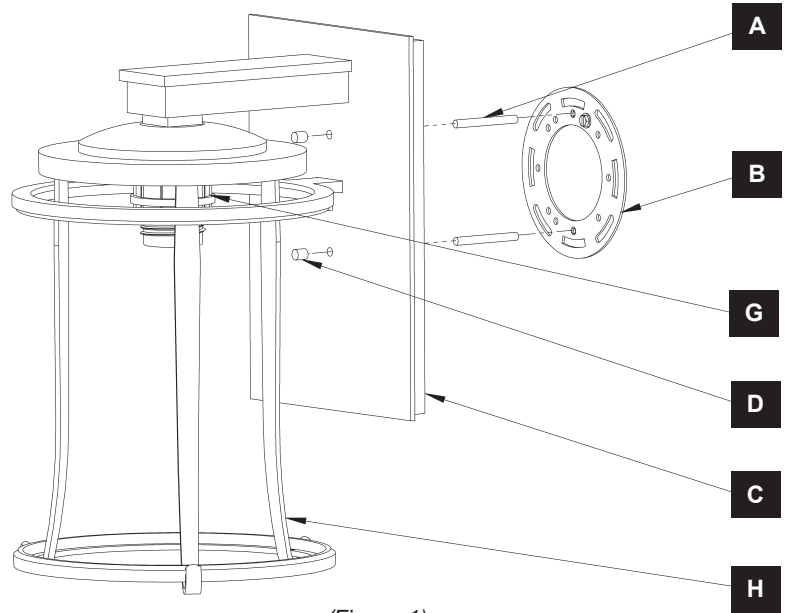
7. Apply a generous bead of a suitable caulking material to caulking lip (E) on the fixture (Figure 3).
8. Carefully tuck all wires behind the fixture. Place fixture (C) over threaded studs (B) and tighten firmly to mounting surface using barrel knobs (D).

CONTINUED

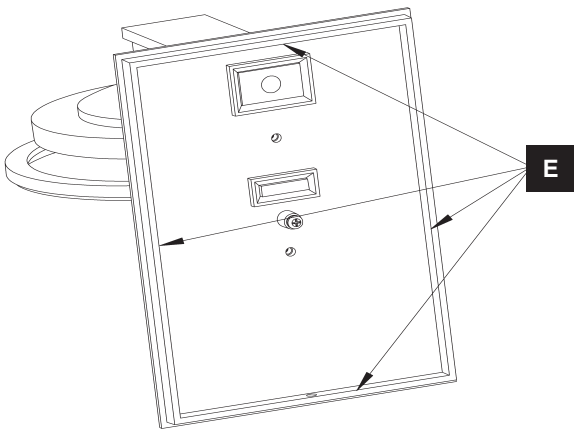
ASSEMBLY & INSTALLATION INSTRUCTIONS

B163

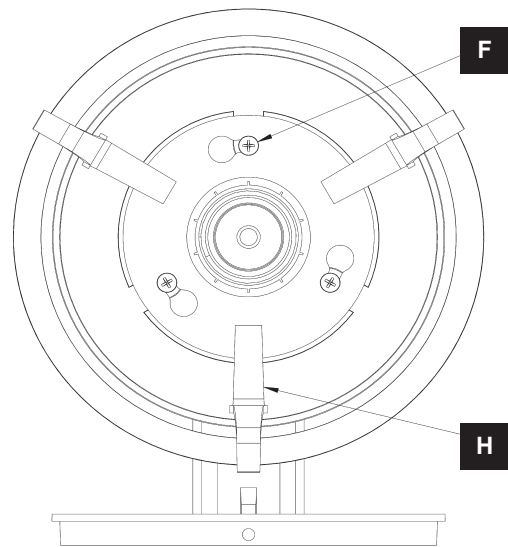
Outdoor Wall Sconces 305605 & 305605LED



(Figure 1)



(Figure 3)



(Figure 2)

If you need further assistance, or find that you are missing any parts, please contact the dealer from which you purchased this product. We hope you enjoy your fixture!

*** Hubbardton Forge will not be liable for injury or damage caused by improper installation, lamping or use of this fixture.**

To Install Outer Glass (Figures 4 & 5)

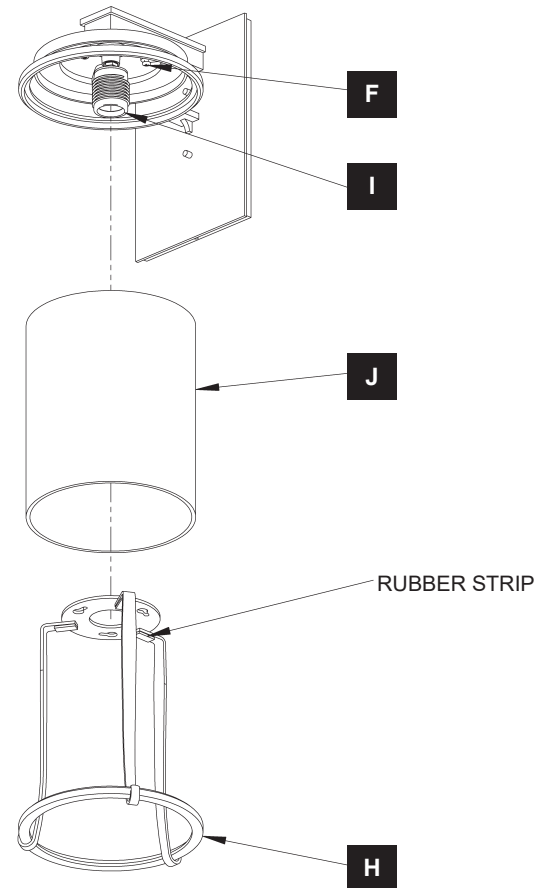
1. Lower glass ring (J) it is shipped installed in spider assembly (H) it might be necessary to bend arms back into shape to allow lower glass ring to sit correctly.
2. Install rubber strips as shown in figure 4. Strips are adhesive backed on one side.
3. Slip outer glass (K) over spider assembly (H).
4. Raise spider assembly (H) with outer glass (K) installed and slip over socket (I) aligning holes in the top of the spider assembly (H) keyed ring goes over screws (F).
5. Turn spider assembly (H) counter clockwise until it stops. Tighten three screws (F) until snug against the spider assembly. **Be careful not to over tighten.**



(Figure 4)

To Install Inner Glass (Figure 6 on next page)

1. Slip inner glass (L) over socket.
2. Thread the first retaining ring (G) on to socket until it is against top of the inner glass (L).
3. Thread the second retaining ring (G) onto socket until it is snug against the first retaining ring. Do not over tighten. Disregard this step for the “LED” version.
4. Install light bulb. “LED” version bulb is included.
5. Restore electricity at main breaker.

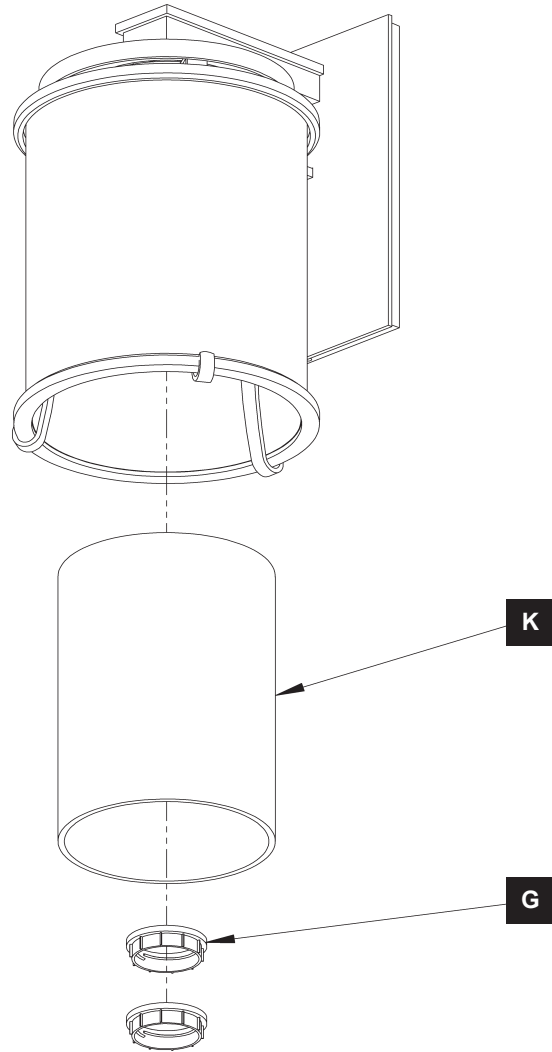


(Figure 5)

ASSEMBLY & INSTALLATION INSTRUCTIONS

B163

Outdoor Wall Sconces 305605 & 305605LED



(Figure 6)



HUBBARDTON FORGE.

MODERN AMERICAN BLACKSMITHS | FINE, HAND CRAFTED LIGHTING
CASTLETON, VERMONT USA | HUBBARDTONFORGE.COM

22462 Rev A