

# Installation Instructions

For Rook Outdoor Sconce 30-4930 & 30-4933

**B212**

Page 1 of 2

**CAUTION: FAILURE TO INSTALL THIS FIXTURE PROPERLY MAY RESULT IN SERIOUS PERSONAL INJURY OR DEATH AND PROPERTY DAMAGE. We recommend installation by a licensed electrician.**

This product must be installed in accordance with applicable installation code(s), by a person familiar with the construction and operation of the product and the hazards involved.\*

**Caution:** Do not exceed maximum wattage noted on fixture. Use only recommended bulbs with fixture.

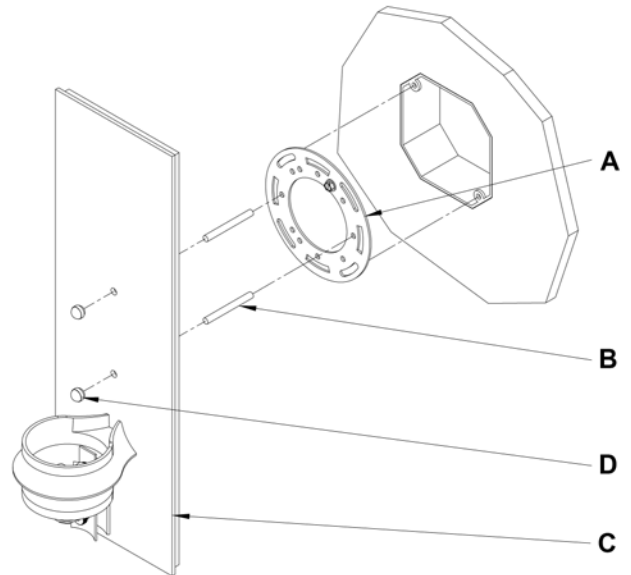
**Please Note:** This fixture is designed to be mounted on a standard wall surface and may not be suitable for all applications. If installing in a non-wood frame application, we recommend consulting a qualified builder or electrician.

After installation extra hardware and accessories are possible; our kits are used on multiple products and options.

## **To Install Fixture** (Figures 1 & 2)

### Component Parts

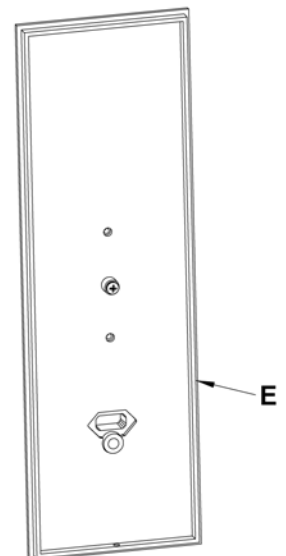
- A Cross Bar
- B Threaded Studs (2)
- C Fixture
- D Knurled Balls (2)
- E Caulking Lip



(Figure 1)

**Caution: Be sure power is off at the main breaker box prior to installation.**

1. Carefully unpack the fixture from the carton.
2. Using two machine screws (not provided) attach cross bar (A) to the electric box using inside oval holes to orient fixture.  
**Note:** A new electric box comes with screws. When replacing a fixture, retain the screws for use with the new fixture.
3. Start threaded studs (B) into appropriate holes in crossbar (A).
4. Using suitable wire connectors (not provided), connect the fixture wires to the supply wires, (white to white, black to black, bare copper or green to bare copper or green). If the fixture is wired with twin lead lamp cord, connect the ribbed side to white, and the smooth side to black.  
**Caution:** Make sure wire connectors are twisted on securely and no bare wires are exposed.
5. Apply a generous bead of a suitable caulking material to caulking lip (E) on the fixture.
6. Carefully tuck all wires behind the fixture. Place fixture (C) over threaded studs (B) and tighten firmly to mounting surface using knurled balls (D).



(Figure 2)

(continued)

# Installation Instructions

For Rook Outdoor Sconce 30-4930 & 30-4933

**B212**

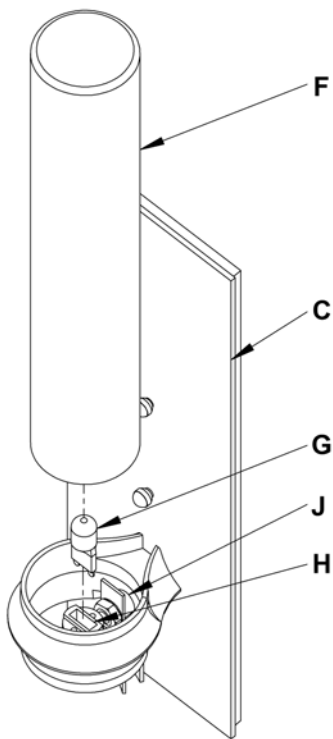
Page 2 of 2

## **To Install Glass** (Figures 3 & 4)

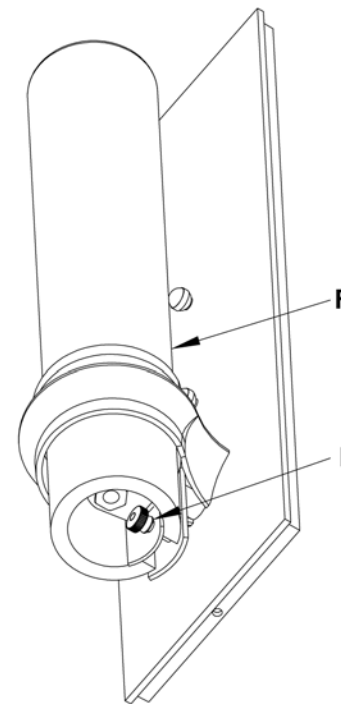
### Component Parts

- C Fixture
- F Glass
- G Bulb (Included)
- H Socket
- I Thumb Screw
- J Wireway Tube

1. Install light bulb (G) into socket (H). *Be careful not to touch bulb with bare hands; oil from the hands will dramatically reduce bulb life.*
2. Slide glass (F) into fixture (C) aligning the slot in the glass towards the back of the fixture (C). Slide glass into fixture until it rests on the wireway tube (J).
3. Tighten thumb screw (I) until snug. *Be careful not to over tighten.*
4. Restore electricity at the main breaker.



(Figure 3)



(Figure 4)

*If you need further assistance, or find that you are missing any parts, please contact the dealer from which you purchased this product. We hope you enjoy your fixture!*

\* Hubbardton Forge will not be liable for injury or damage caused by improper installation, lamping or use of this fixture.