

Installation Instructions

B179

For Beacon Hall Outdoor Wall Sconce 30-4820 & 30-4820F

Page 1 of 3

CAUTION: FAILURE TO INSTALL THIS FIXTURE PROPERLY MAY RESULT IN SERIOUS PERSONAL INJURY OR DEATH AND PROPERTY DAMAGE. We recommend installation by a licensed electrician.

This product must be installed in accordance with applicable installation code(s), by a person familiar with the construction and operation of the product and the hazards involved.*

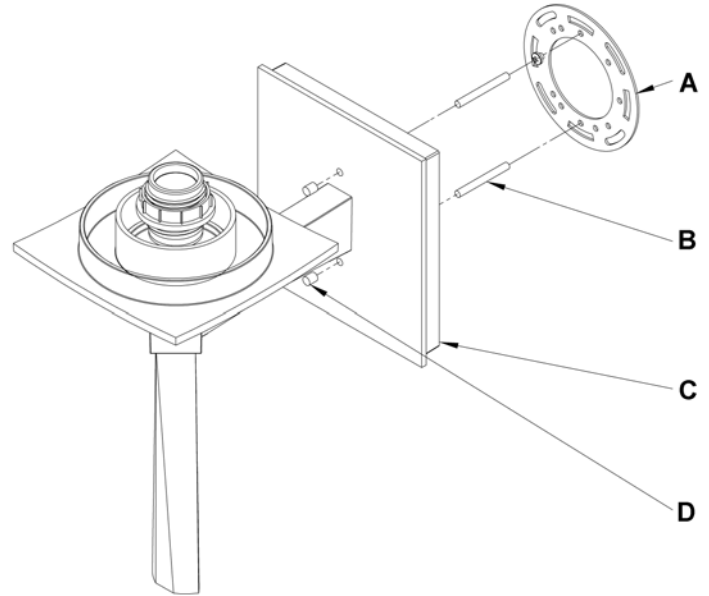
Caution: Do not exceed maximum wattage noted on fixture. Use only recommended bulbs with fixture.

Please Note: After installation extra hardware and accessories are possible; our kits are used on multiple products and options.

To Install Fixture (Figures 1 & 2)

Component Parts

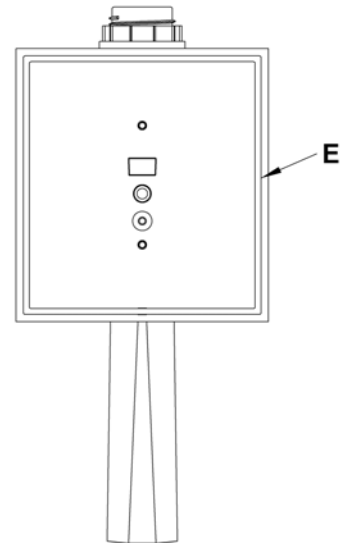
- A Crossbar
- B Threaded Studs (2)
- C Fixture
- D Barrel Knobs (2)
- E Caulking Lip



(Figure 1)

Caution: Be sure power is off at the main breaker box prior to installation.

1. Carefully unpack the fixture from the carton.
2. Using two machine screws (not provided) attach cross bar (A) to the electric box using inside oval holes to orient fixture.
Note: A new electric box comes with screws. When replacing a fixture, retain the screws for use with the new fixture.
3. Start threaded studs (B) into appropriate holes in crossbar (A).
4. Using suitable wire connectors (not provided), connect the fixture wires to the supply wires, (white to white, black to black, bare copper or green to bare copper or green). If the fixture is wired with twin lead lamp cord, connect the ribbed side to white, and the smooth side to black. **Caution:** Make sure wire connectors are twisted on securely and no bare wires are exposed.
5. Apply a generous bead of a suitable caulking material to caulking lip (E) on the fixture.
6. Carefully tuck all wires behind the fixture. Place fixture (C) over threaded studs (B) and tighten firmly to mounting surface using barrel knobs (D).



(Figure 2)

(continued)

Installation Instructions

For Beacon Hall Outdoor Wall Sconce 30-4820 & 30-4820F

B179

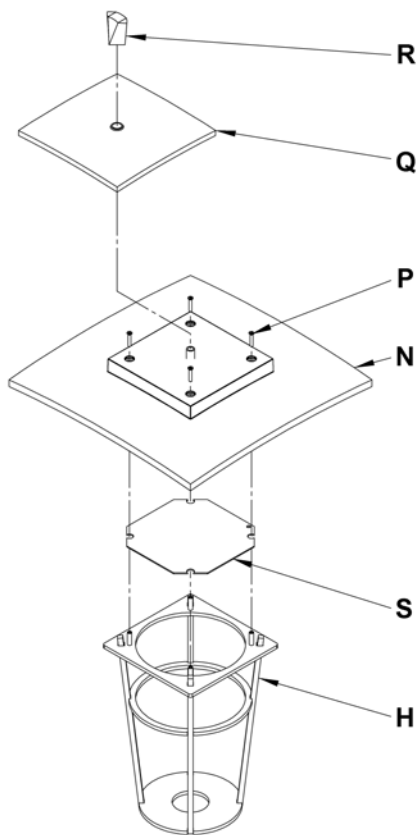
Page 2 of 3

To Install Glass (Figures 3 & 4)

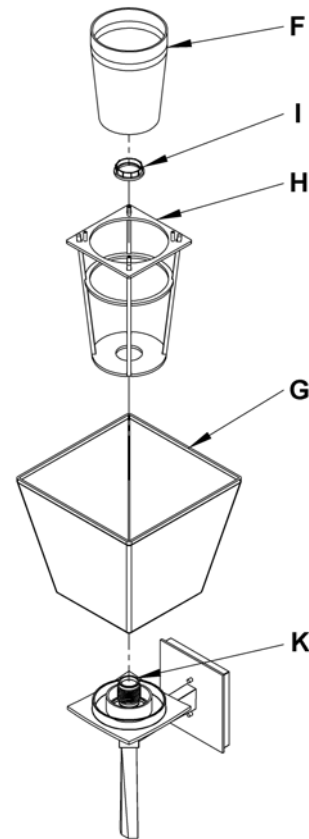
Component Parts

F	Inner Glass	K	Socket	R	Finial
G	Outer Glass	N	Top Hat	S	Cover Plate
H	Glass Cage	P	Brass Screw (4)		
I	Retaining Ring	Q	Top Cover		

1. Disassemble upper assembly by unthreading finial (R) and removing the four flat head screws (P) under top cover (Q) (Figure 3). Set all pieces aside for later use.
2. Remove retaining ring (I) from socket (K). *Retaining Rings are shipped installed.*
3. Slip outer glass (G) over socket (K).
4. Slip glass cage (H) over socket (K).
5. Thread retaining ring (I) onto socket (K). *Do not over tighten.*
6. Install bulb. (*Fluorescent versions bulb is included.*)
7. Slip inner glass (F) over socket (K) and bulb.



(Figure 3)



(Figure 4)

(continued)

Installation Instructions

For Beacon Hall Outdoor Wall Sconce 30-4820 & 30-4820F

B179

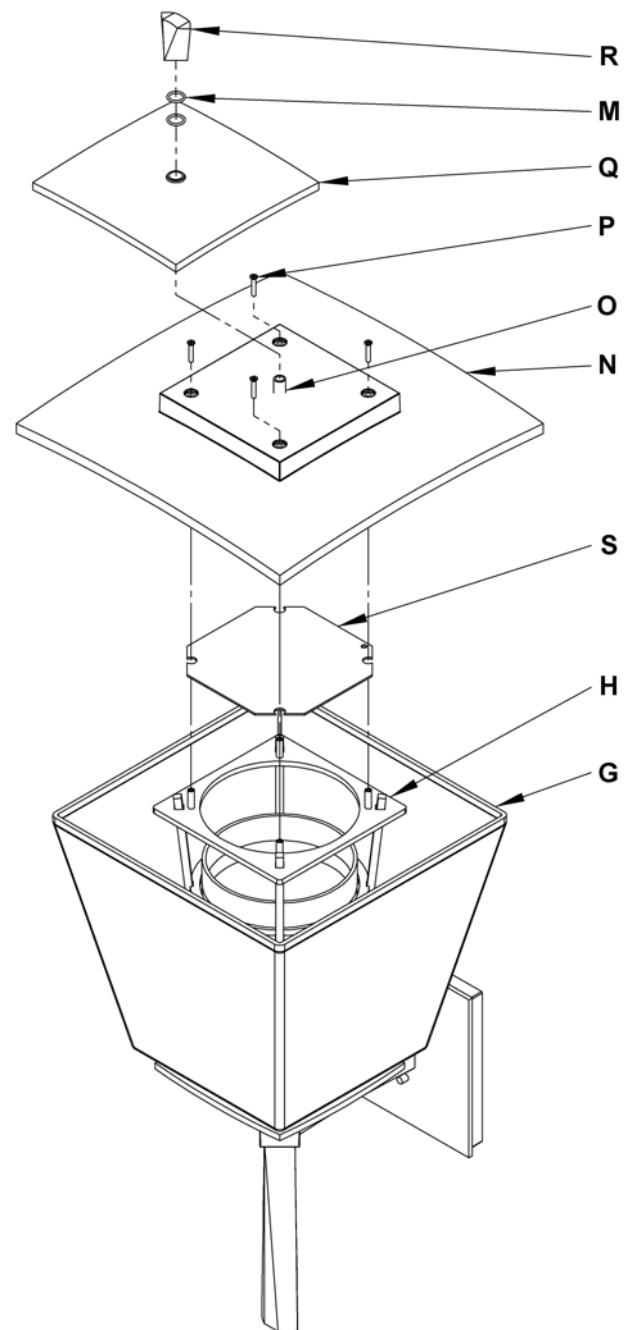
Page 3 of 3

To Install Top Hat (Figure 5)

Component Parts

- G Outer Glass
- H Glass Cage
- M O-Ring (2)
- N Top Hat
- O Threaded Stud
- P Brass Screw (4)
- Q Top Cover
- R Finial
- S Cover Plate

1. Place cover plate (S) on top of glass cage (H) aligning the holes in the plate with the standoffs in the glass cage. It should sit flat on top of the glass cage.
2. Place top hat (N) on top edge of outer glass (G) and align holes in top hat (N) with standoffs in glass cage (H).
3. Install four brass screws (P) and tighten.
4. Slip top cover (Q) over threaded stud and let rest on the top hat (N).
5. Slip two o-rings (M) onto threaded stud (O).
6. Thread finial (R) onto threaded stud (O) until snug against top cover (Q).
7. Restore electricity at main breaker.



(Figure 5)

If you need further assistance, or find that you are missing any parts, please contact the dealer from which you purchased this product. We hope you enjoy your fixture!

* Hubbardton Forge will not be liable for injury or damage caused by improper installation, lamping or use of this fixture.