

Installation Instructions

Cavo Outdoor Sconce Small 303082

B337

Page 1 of 2

CAUTION: FAILURE TO INSTALL THIS FIXTURE PROPERLY MAY RESULT IN SERIOUS PERSONAL INJURY OR DEATH AND PROPERTY DAMAGE. We recommend installation by a licensed electrician.

This product must be installed in accordance with applicable installation code(s), by a person familiar with the construction and operation of the product and the hazards involved.*

Caution: Do not exceed maximum wattage noted on fixture. Use only recommended bulbs with fixture.

Please Note: This fixture is designed to be mounted on a standard wall surface and may not be suitable for all applications. Sconces are to be mounted 4 feet above ground. If installing in a non-wood frame application, we recommend consulting a qualified builder or electrician.

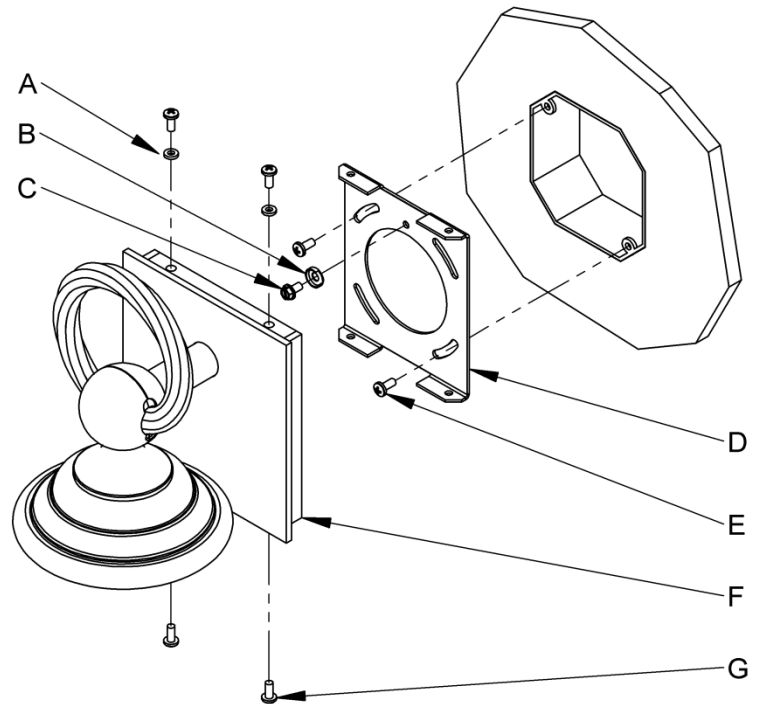
To Mount Fixture to Wall (Figures 1 & 2)

Component Parts

- A Rubber Washer (2)
- B Cupped Washer
- C Green Ground Screw
- D Wall Mount Bracket
- E Machine Screws (not provided)
- F Fixture Assembly
- G #8 Black Screws (4)
- H Caulking Lip

Caution: Be sure power is off at the main breaker box prior to installation.

1. Carefully unpack the fixture from the carton.
2. Using two machine screws (E) (not provided) fasten the wall mount bracket (D) to the electric box.



(Figure 1)

Note: A new electric box comes with screws. When replacing an existing fixture, retain screws for use with the new fixture.

3. Hold the fixture assembly (F) close to the wall mount bracket and using suitable wire connectors (not provided), connect fixture wires to supply wires (white to white and black to black). Ground the mounting bracket using the green ground screw (C) and cupped washer (B) to secure a pigtail lead to the bracket and connect all ground wires (bare copper or green to bare copper or green).

Caution: Make sure wire connectors are twisted on securely, and no bare wires are exposed.

(continued)

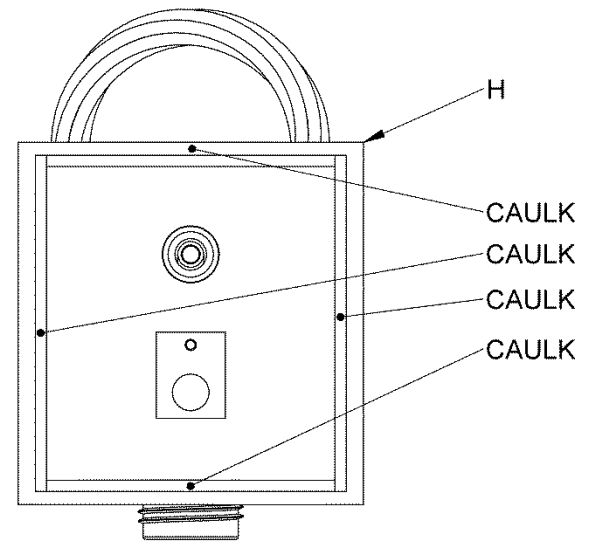
Installation Instructions

Cavo Outdoor Sconce Small 303082

B337

Page 2 of 2

4. Apply a generous bead of a suitable caulking material (not provided) to caulking lip (H) on the fixture. Caulk should be applied around the entire perimeter of the back (Figure 2).
5. Carefully tuck all wires behind the fixture assembly (F) and inside the wall mount bracket (D). Place the fixture assembly (F) firmly onto wall mount bracket (D) and fasten with two #8 black screws (G) and rubber washers (A) on top.
6. Install the two remaining black screws (G) in bottom of fixture attaching to wall mounting bracket (D).



(Figure 2)

To Install Glass (Figure 3)

Component Parts

- F Fixture Assembly
- I Glass
- J Plastic Retaining Ring
- K Metal Retaining Cup
- L Bulb (Not Included)
- M Socket

1. Plastic Retaining Ring (J) and Metal Retaining Cup (K) are shipped installed on socket (M). Unscrew Plastic Retaining Ring (J) and Metal Retaining Cup (K).
2. Press to snap Plastic Ring (J) into Metal Retaining Cup (K).
3. Install glass (I) gently over socket (M).
4. Thread Retaining Ring/Metal Retaining Cup (J, K) onto socket (M) to hold glass (I) in place. Do not over-tighten.
5. Install bulb (L) into socket (M).
6. Restore electricity at main breaker.

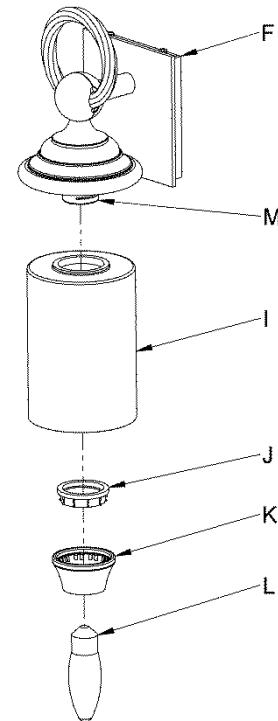


Figure 3

If you need further assistance, or find that you are missing any parts, please contact the dealer from which you purchased this product. We hope you enjoy your fixture!

* Hubbardton Forge will not be liable for injury or damage caused by improper installation, lamping or use of this fixture.

HUBBARDTON FORGE®

Hand-Forged, Vermont-Made Lighting and Accessories
154 Route 30 South, Castleton, Vermont 05735

32467 Rev A