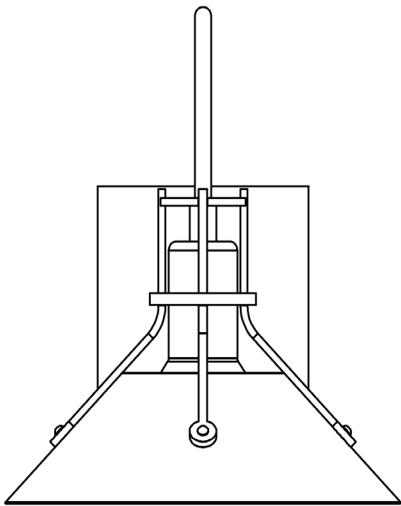


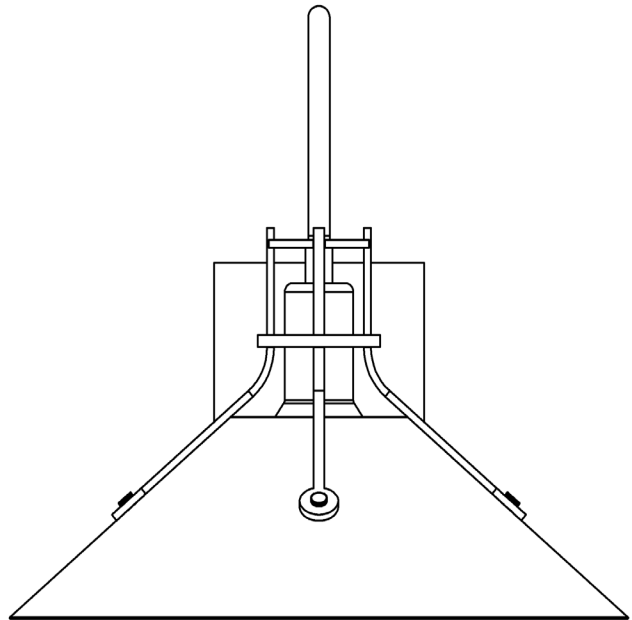
ASSEMBLY & INSTALLATION INSTRUCTIONS

B414

Henry Dark Sky Outdoor Sconces 302711 & 302713



302711



302713



HUBBARDTON FORGE.

MODERN AMERICAN BLACKSMITHS | FINE, HAND CRAFTED LIGHTING
CASTLETON, VERMONT USA | HUBBARDTONFORGE.COM

ASSEMBLY & INSTALLATION INSTRUCTIONS

B414

Henry Dark Sky Outdoor Sconces 302711 & 302713

Component Parts

- A** **Crossbar**
- B** **Threaded Studs (2)**
- C** **Ground Screw**
- D** **Fixture**
- E** **Knurled Balls (2)**
- F** **Caulking Lip**
- G** **Bulb (Not Included)**



ASSEMBLY & INSTALLATION INSTRUCTIONS

B414

Henry Dark Sky Outdoor Sconces 302711 & 302713

CAUTION: FAILURE TO INSTALL THIS FIXTURE PROPERLY MAY RESULT IN SERIOUS PERSONAL INJURY OR DEATH AND PROPERTY DAMAGE. We recommend installation by a licensed electrician. This product must be installed in accordance with applicable installation code(s), by a person familiar with the construction and operation of the product and the hazards involved.*

Caution: Do not exceed maximum wattage noted on fixture. Use only recommended bulbs with fixture.

Please Note: After installation extra hardware and accessories are possible; our kits are used on multiple products.

To Attach to Wall *(Figures 1 & 2, next page)*

CAUTION: BE SURE POWER IS OFF AT THE MAIN BREAKER BOX PRIOR TO INSTALLATION.

1. Carefully unpack the fixture (D) from the carton.
2. Thread studs (B) into the appropriate holes in the crossbar (A) to match the holes in the fixture (D).
3. Thread the wires in the electrical box through the center hole in the crossbar (A) while moving the crossbar into position. Using (2) #8 machine screws (not provided), attach the crossbar securely to the junction box.

Note: A new electric box comes with screws. When replacing an existing fixture, retain screws for use with the new fixture

4. Hold the fixture (D) close to the crossbar (A). Secure a pigtail lead to crossbar (A) using green ground screw (C). Using suitable wire connectors (not provided) connect fixture wires to supply wires (white to white, or ribbed and black to black, or smooth). Connect all ground wires (bare copper or green to bare copper or green).

CAUTION: MAKE SURE WIRE CONNECTORS ARE TWISTED ON SECURELY AND NO BARE WIRES ARE EXPOSED.

5. Carefully tuck all wires behind the fixture (D) and inside the crossbar (A).
6. Apply a generous bead of a suitable caulking material (not provided) to caulking lip (F) on the fixture (Figure 2).
7. Align holes in fixture (D) with threaded studs (B). Thread a knurled ball (E) onto each threaded stud (B) and hand tighten to secure fixture (D) to wall.

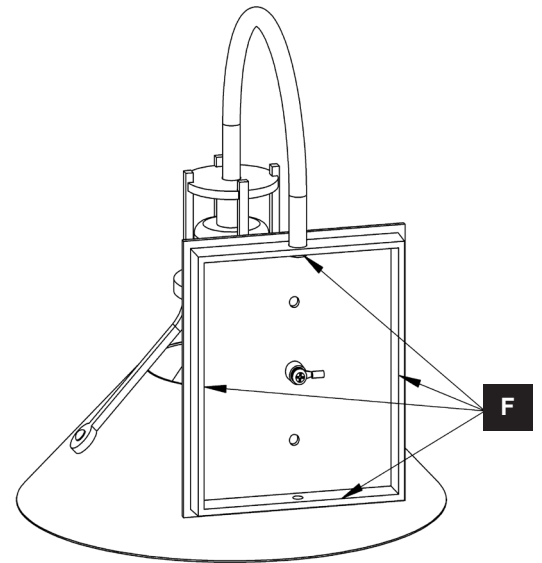
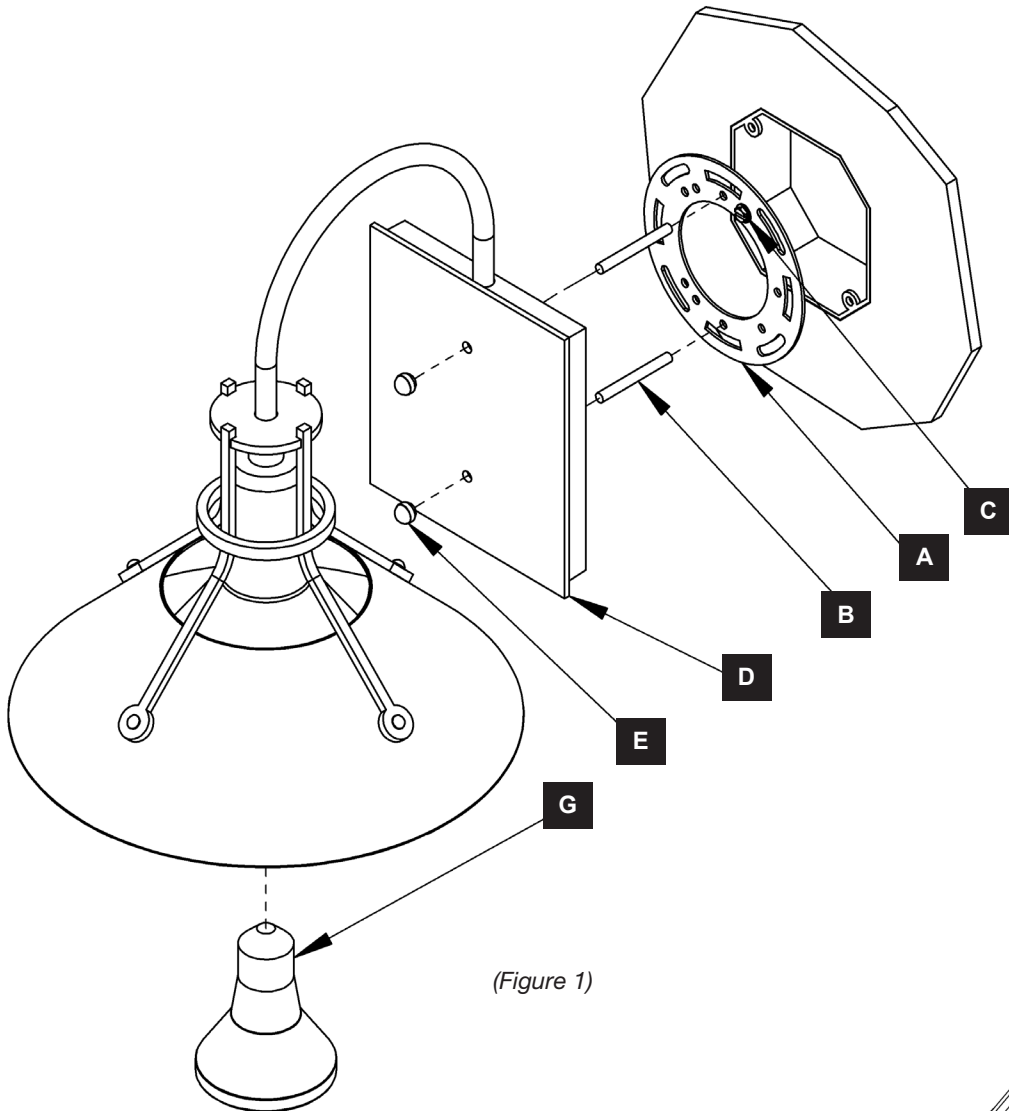
Note: Be sure threaded studs (B) are fully seated in the knurled balls (E)

8. Screw bulb (G) into socket.
9. Restore electricity at main breaker.

ASSEMBLY & INSTALLATION INSTRUCTIONS

B414

Henry Dark Sky Outdoor Sconces 302711 & 302713



If you need further assistance, or find that you are missing any parts, please contact the dealer from which you purchased this product. We hope you enjoy your fixture!

*** Hubbardton Forge will not be liable for injury or damage caused by improper installation, lamping or use of this fixture.**