

Assembly & Installation Instructions

B362

Medium Henry Outdoor Sconce 302712

Page 1 of 4

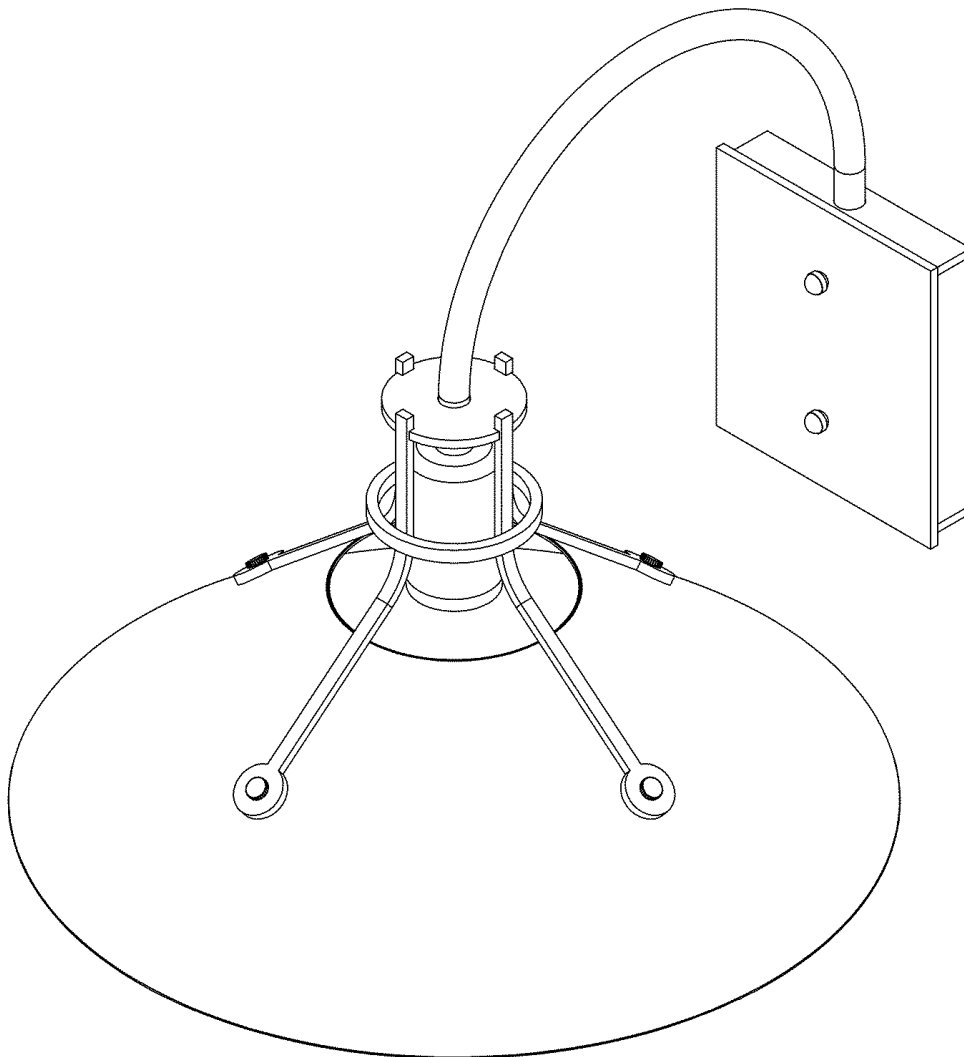
CAUTION: FAILURE TO INSTALL THIS FIXTURE PROPERLY MAY RESULT IN SERIOUS PERSONAL INJURY OR DEATH AND PROPERTY DAMAGE. We recommend installation by a licensed electrician.

This product must be installed in accordance with applicable installation code(s), by a person familiar with the construction and operation of the product and the hazards involved.*

Caution: Do not exceed maximum wattage noted on fixture. Use only recommended bulbs with fixture.

Please Note: This fixture is designed to be mounted on a standard wall surface and may not be suitable for all applications. If installing in a non-wood frame application, we recommend consulting a qualified builder or electrician.

Please Note: After installation, extra hardware and accessories may be left due to kits being used on multiple products.



HUBBARDTON FORGE.

Modern American Blacksmiths | Fine, Hand Crafted Lighting
Castleton, Vermont USA | HUBBARDTONFORGE.COM

36891 Rev A

Assembly & Installation Instructions

Medium Henry Outdoor Sconce 302712

B362

Page 2 of 4

Component Parts

A	Crossbar
B	Threaded Studs (2)
C	Ground Screw
D	Fixture
E	Knurled Balls (2)
F	Gasket
G	Bulb (Not Included)
H	Caulking Lip



Assembly & Installation Instructions

Medium Henry Outdoor Sconce 302712

B362

Page 3 of 4

To Prepare & Install Fixture (Figure 1 & 2)

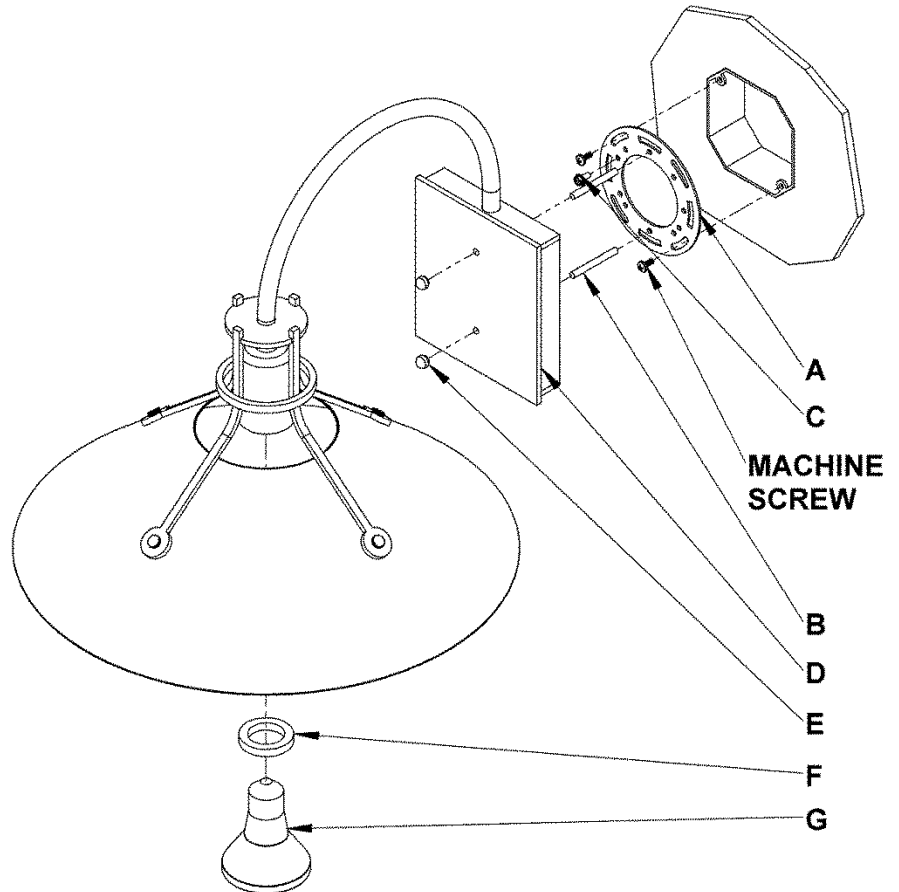
Caution: Be sure power is off at the main breaker box prior to installation.

1. Carefully unpack the fixture from the carton.
2. Thread studs (B) into the appropriate holes in the crossbar (A) to match with the holes in the fixture.
3. Thread the wires in the electrical box through the center hole in the crossbar (A) while moving the crossbar into position. Using (2) #8 machine screws (Not provided), attach the crossbar securely to the junction box.

Note: A new electric box comes with screws. When replacing an existing fixture, retain screws for use with the new fixture

4. Hold the fixture (D) close to the crossbar (A) and using suitable wire connectors (not provided) connect fixture wires to supply wires (white to white and black to black).
5. Secure a pigtail lead to crossbar (A) using green ground screw (C). Using suitable wire connectors (not provided) connect all ground wires (bare copper or green to bare copper or green).

Caution: Make sure wire connectors are twisted on securely, and no bare wires are exposed.



(Figure 1)



HUBBARDTON FORGE.

Modern American Blacksmiths | Fine, Hand Crafted Lighting
Castleton, Vermont USA | HUBBARDTONFORGE.COM

36891 Rev A

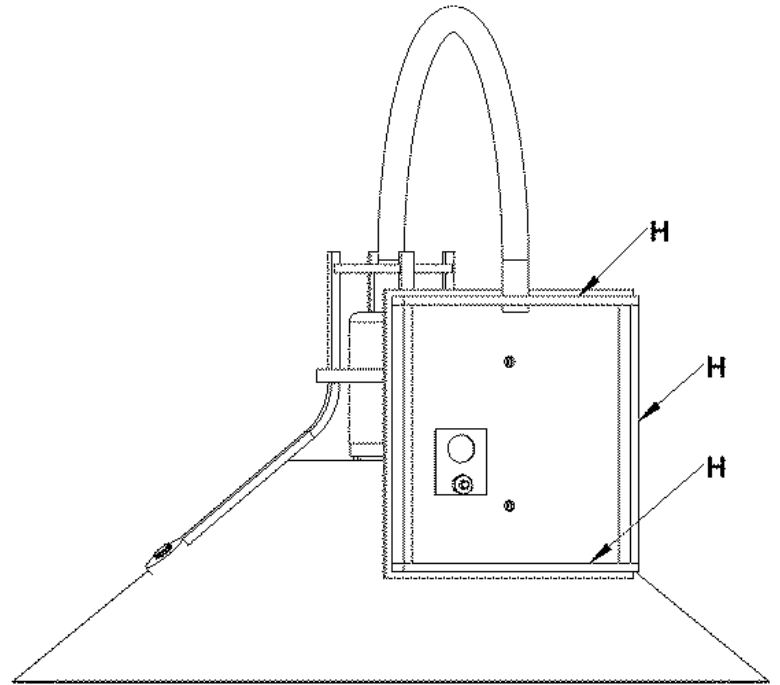
Assembly & Installation Instructions

Small Henry Outdoor Sconce 302710

B362

Page 4 of 4

- Carefully tuck all wires behind the fixture (D) and inside the crossbar (A).
- Apply a generous bead of a suitable caulking material (*not provided*) to caulking lip (H) on the fixture (*Figure 2*).
- Align holes in fixture (D) with threaded studs (B). Thread a knurled ball (E) onto each threaded stud (B) and hand tighten to secure fixture (D) to wall. Be sure threaded studs (B) are fully seated in the knurled balls (E) (*Figure 1*)
- Install gasket (F) around top of bulb (G).
- Screw bulb (G) into socket and press gasket (F) up to touch fixture (D).
- Restore Electricity at main breaker.



(Figure 2)

If you need further assistance, or find that you are missing any parts, please contact the dealer from which you purchased this product. We hope you enjoy your fixture!

* Hubbardton Forge will not be liable for injury or damage caused by improper installation, lamping or use of this fixture.



HUBBARDTON FORGE.

Modern American Blacksmiths | Fine, Hand Crafted Lighting
Castleton, Vermont USA | HUBBARDTONFORGE.COM

36599