

Installation Instructions

Halo Outdoor Sconces 302701 & 302703

B355

Page 1 of 2

CAUTION: FAILURE TO INSTALL THIS FIXTURE PROPERLY MAY RESULT IN SERIOUS PERSONAL INJURY OR DEATH AND PROPERTY DAMAGE. We recommend installation by a licensed electrician.

This product must be installed in accordance with applicable installation code(s), by a person familiar with the construction and operation of the product and the hazards involved.*

Caution: Do not exceed maximum wattage noted on fixture. Use only recommended bulbs with fixture.

Please Note: This fixture is designed to be mounted on a standard wall surface and may not be suitable for all applications. Sconces are to be mounted 4 feet above ground. If installing in a non-wood frame application, we recommend consulting a qualified builder or electrician.

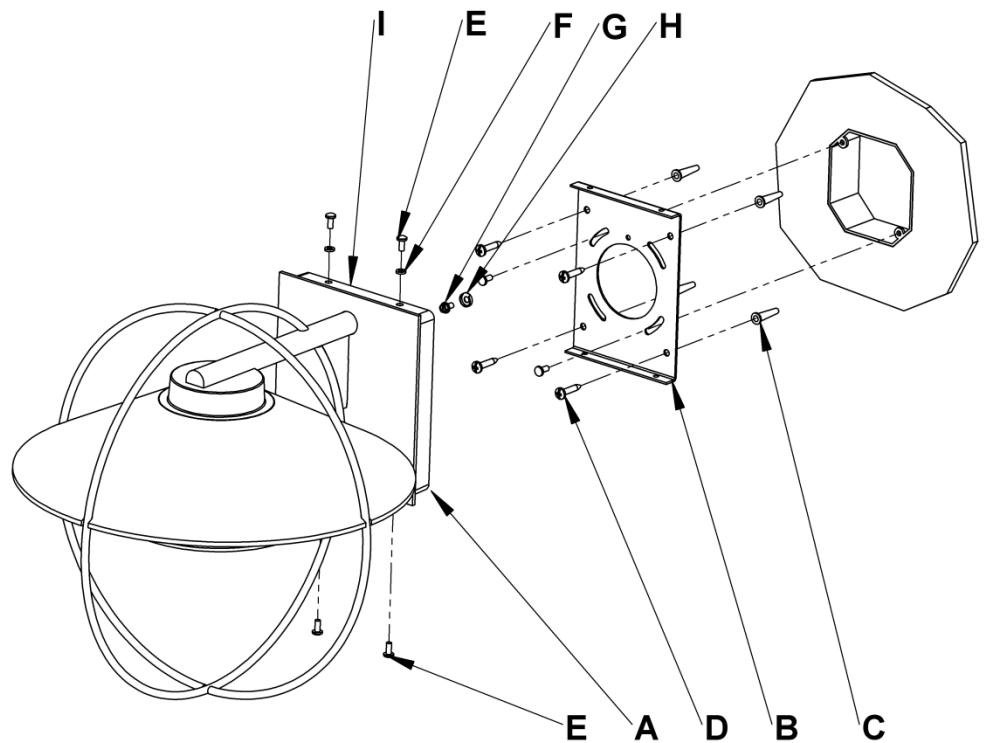
To Mount Fixture to Wall (Figures 1 & 2)

Component Parts

- A Fixture Assembly
- B Wall Mounting Bracket
- C Anchors (4)
- D #10 Screws (4)
- E #8 Black Screws (4)
- F Rubber Washer (2)
- G Ground Screw
- H Cupped Washer
- I Caulking Lip

Caution: Be sure power is off at the main breaker box prior to installation.

1. Carefully unpack the fixture from the carton.
2. Center the wall mount bracket (B) over the electrical box being sure to hold it plumb and level. With a pencil, mark the location of all mounting holes in the wall mount bracket (B) on the wall behind.



IMPORTANT: Wall mount bracket must be secured to a solidly mounted electrical box and/or a framing member in at least two locations. Do not depend on drywall anchors alone to support this fixture. If in doubt, contact a qualified electrician.

Put the wall mount bracket down and drill 1/4" holes in the locations marked on the wall. For holes using anchors, place the tapered end of the anchors (C) into the holes and gently tap them flush to the wall using a light weight hammer.

3. Thread the wires in the electrical box through the center hole in the wall mount bracket (B) while moving the bracket into position. Using the #10 screws (D), screw the bracket (B) securely to the wall. Be careful not to over-tighten or strip the anchors (C).
4. Hold the fixture assembly (A) close to the wall mount bracket and using suitable wire connectors (not provided), connect fixture wires to supply wires (white to white and white to black). Ground the mounting bracket using the green ground screw (G) and cupped washer (H) to secure a pigtail lead to the bracket (B) and connect all ground wires (bare copper or green to bare copper or green).

Caution: Make sure wire connectors are twisted on securely, and no bare wires are exposed.

(continued)

Installation Instructions

Halo Outdoor Sconces 302701 & 302703

B355

Page 2 of 2

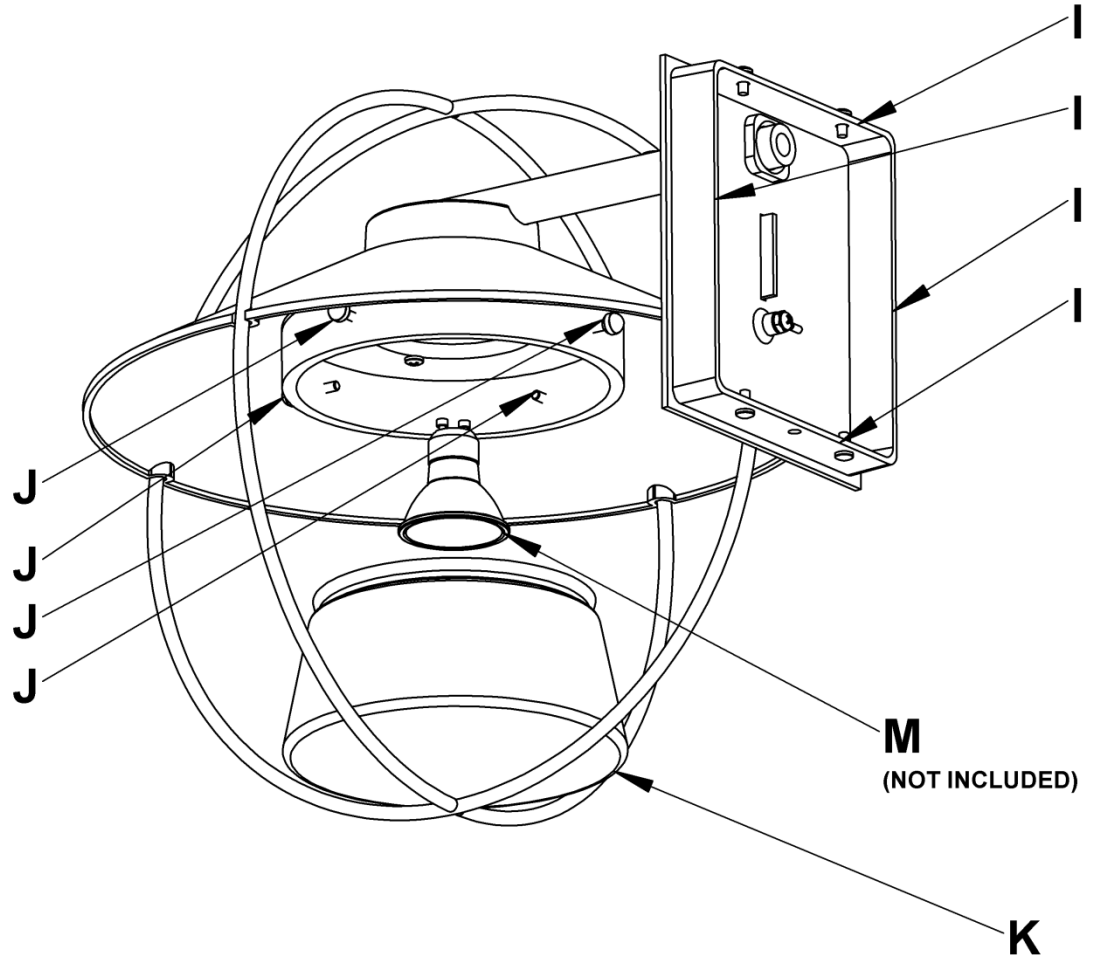
5. Apply a generous bead of a suitable caulking material (not provided) to caulking lip (I) on the fixture. Caulk should be applied around the entire perimeter of the backplate (*Figure 2*).
6. Carefully tuck all wires behind the fixture assembly (A) and inside the wall mount bracket (B) and place the fixture firmly onto bracket (B). Fasten with two #8 black screws (E) and rubber washers (F) on top. (*Figure 1*)
7. Install the two remaining black screws (E) in bottom of fixture attaching to wall mounting bracket (B). (*Figure 1*)

To Install Glass (*Figure 2*)

Component Parts

- I Caulking Lip
- J Thumb Screws (4)
- K Glass
- M Bulb (not included)

1. Install bulb (M) not included.
2. Raise Glass (K) up until groove in glass is even with thumbscrews (J) in fixture.
3. Tighten thumb screws (J) evenly until they engage with glass.
4. Restore electricity at main breaker.



(*Figure 2*)

If you need further assistance, or find that you are missing any parts, please contact the dealer from which you purchased this product. We hope you enjoy your fixture!

* Hubbardton Forge will not be liable for injury or damage caused by improper installation, lamping or use of this fixture.

HUBBARDTON FORGE

Hand-Forged, Vermont-Made Lighting and Accessories
154 Route 30 South, Castleton, Vermont 05735

34607