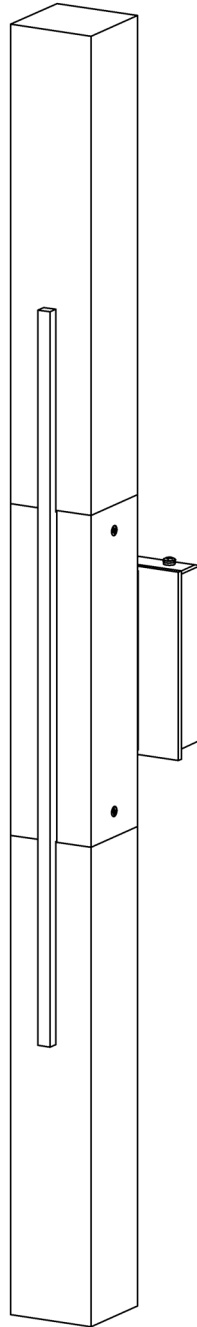


ASSEMBLY & INSTALLATION INSTRUCTIONS

B401

Centre Outdoor Sconces 302610 & 302612



HUBBARDTON FORGE.

MODERN AMERICAN BLACKSMITHS | FINE, HAND CRAFTED LIGHTING
CASTLETON, VERMONT USA | HUBBARDTONFORGE.COM

Component Parts

- A Fixture**
- B Front Tube**
- C Thumb Screw (4)**
- D Rubber Washer (6)**
- E Mounting Bracket**
- F Ground Screw**
- G Cupped Washer**
- H Caulking Lip**
- I #8 Screws (4)**
- J Glass (2)**
- K Anchor (4)**
- L Flat Head Screw (4)**
- M Set Screw (2)**
- N Socket**
- O Bulb (2 - Included)**



ASSEMBLY & INSTALLATION INSTRUCTIONS

B401

Centre Outdoor Sconces 302610 & 302612

CAUTION: FAILURE TO INSTALL THIS FIXTURE PROPERLY MAY RESULT IN SERIOUS PERSONAL INJURY OR DEATH AND PROPERTY DAMAGE. We recommend installation by a licensed electrician. This product must be installed in accordance with applicable installation code(s), by a person familiar with the construction and operation of the product and the hazards involved.*

Caution: Do not exceed maximum wattage noted on fixture. Use only recommended bulbs with fixture.

Please Note: After installation extra hardware and accessories are possible; our kits are used on multiple products.

To Attach to Wall (Figures 1 - 3)

CAUTION: BE SURE POWER IS OFF AT THE MAIN BREAKER BOX PRIOR TO INSTALLATION.

1. Carefully unpack the fixture (A) from the carton.
2. Remove mounting bracket (E) from fixture and set aside.
3. Remove lower set of thumb screws (C) and rubber washers (D). Loosen top set of thumb screws and rubber washers but do not remove completely.
4. Slide front tube (B) upward and detach from fixture (A). Set aside front tube assembly for later use (Figure 1).

See Figures 2 & 3 on next page for following instructions

5. Using two machine screws (not provided) attach mounting bracket (E) to the electrical box.

Note: A new electric box comes with screws. When replacing a fixture, retain the existing screws for use with the new fixture.

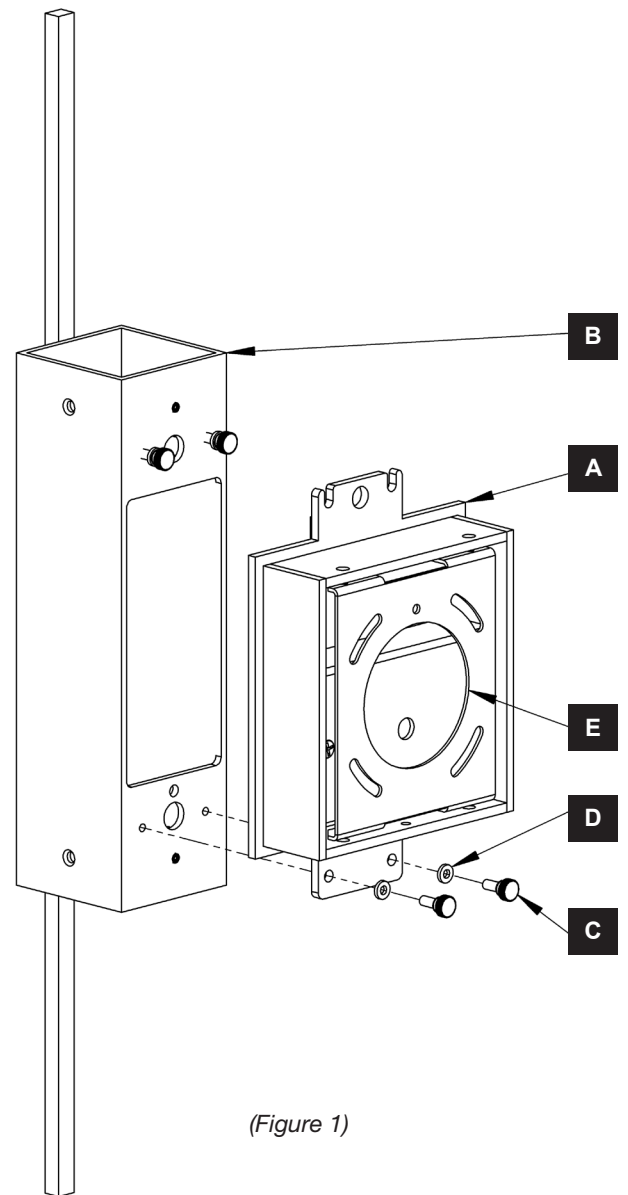
6. Using the green ground screw (F) and the cupped washer (G) in kit bag, secure a pigtail lead to the mounting bracket (E).
7. Hold the fixture (A) close to the mounting bracket (E) and using suitable wire connectors (not provided), connect fixture wires to supply wire (white to white and black to black). Connect all ground wires (bare copper or green to bare copper or green).

CAUTION: MAKE SURE WIRE CONNECTORS ARE TWISTED ON SECURELY, AND NO BARE WIRES ARE EXPOSED.

8. Apply a generous bead of a suitable caulking material (not provided) to caulking lip (H) on the fixture (A). Caulk should be applied around the entire perimeter of the backplate (Figure 3).
9. Carefully tuck all wires behind fixture (A) and inside the mounting bracket (E). Place fixture firmly onto bracket and fasten with two #8 screws (I) and rubber washers (D) on top. **Be sure Triangle plate is pointing upwards as seen in Figure 2.**

Note: Be sure no wires are pinched between wall and fixture.

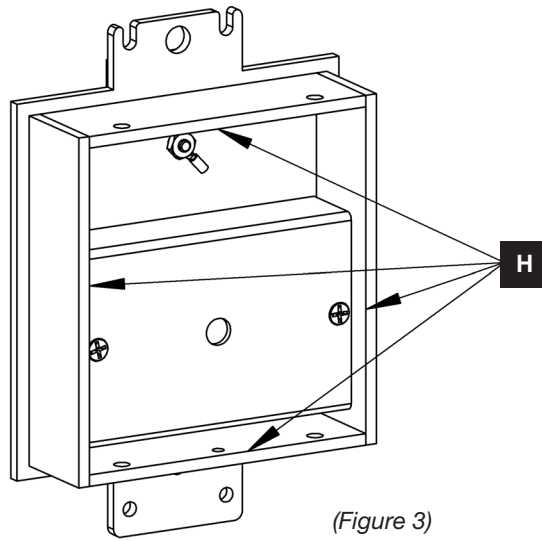
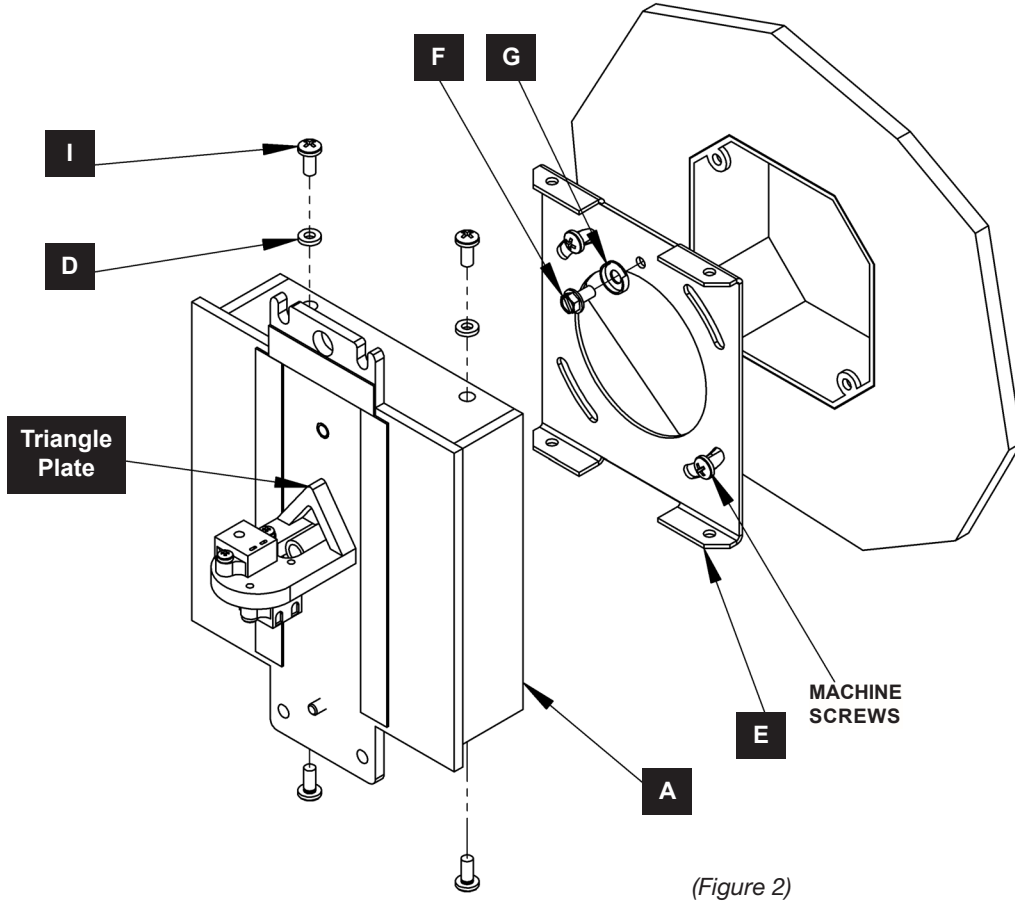
10. Install the two remaining #8 screws (I) in bottom of fixture (A).



ASSEMBLY & INSTALLATION INSTRUCTIONS

B401

Centre Outdoor Sconces 302610 & 302612

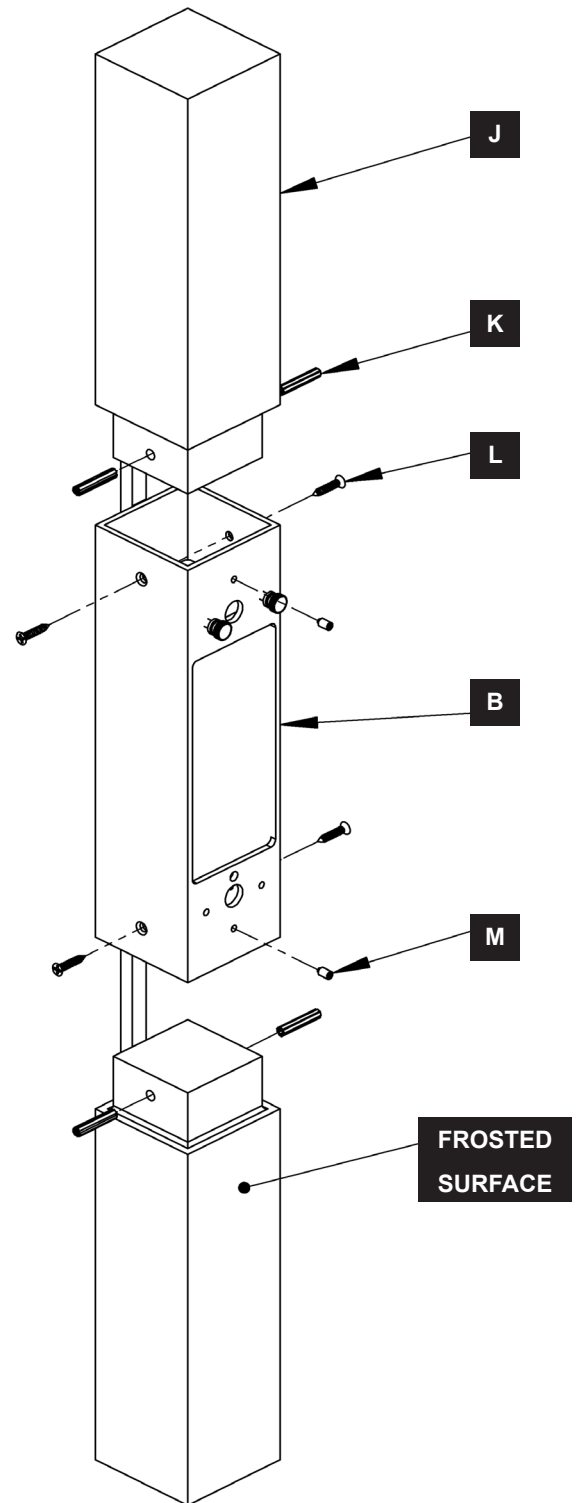


HUBBARDTON FORGE.

MODERN AMERICAN BLACKSMITHS | FINE, HAND CRAFTED LIGHTING
CASTLETON, VERMONT USA | HUBBARDTONFORGE.COM

To Prepare Glass (Figure 4)

1. Unpack glass (J).
2. Place glass on a clean surface. Press anchors (K) into holes in glass from each side until anchor is flush with side of glass.
3. Locate front tube assembly (B). Place glass into front tube with frosted surface oriented as shown in Figure 4.
Note: It may be necessary to loosen set screw (M) to allow glass to pass into tube.
4. Align anchors (K) in glass with holes in front tube (B). Thread flat head screws (L) into anchors evenly to secure glass to tube.
5. Using hex wrench provided, tighten set screw (M) against glass.
6. Repeat steps for second piece of glass.
7. Follow steps on next page to complete installation.



(Figure 4)

ASSEMBLY & INSTALLATION INSTRUCTIONS

B401

Centre Outdoor Sconces 302610 & 302612

To Complete Installation (Figure 5)

1. Install bulbs (O) (included) into sockets (N).
2. Orient front tube (B) assembly so thumb screws and washer still installed are toward the top.
3. Front tube (B) assembly can only be installed one way. A hole in front tube will need to line up with the alignment stud on the fixture (A).
4. Tilt front tube (B), slip over bulbs (O) and insert thumb screws (C) and rubber washers (D) into slots on top of fixture (A).

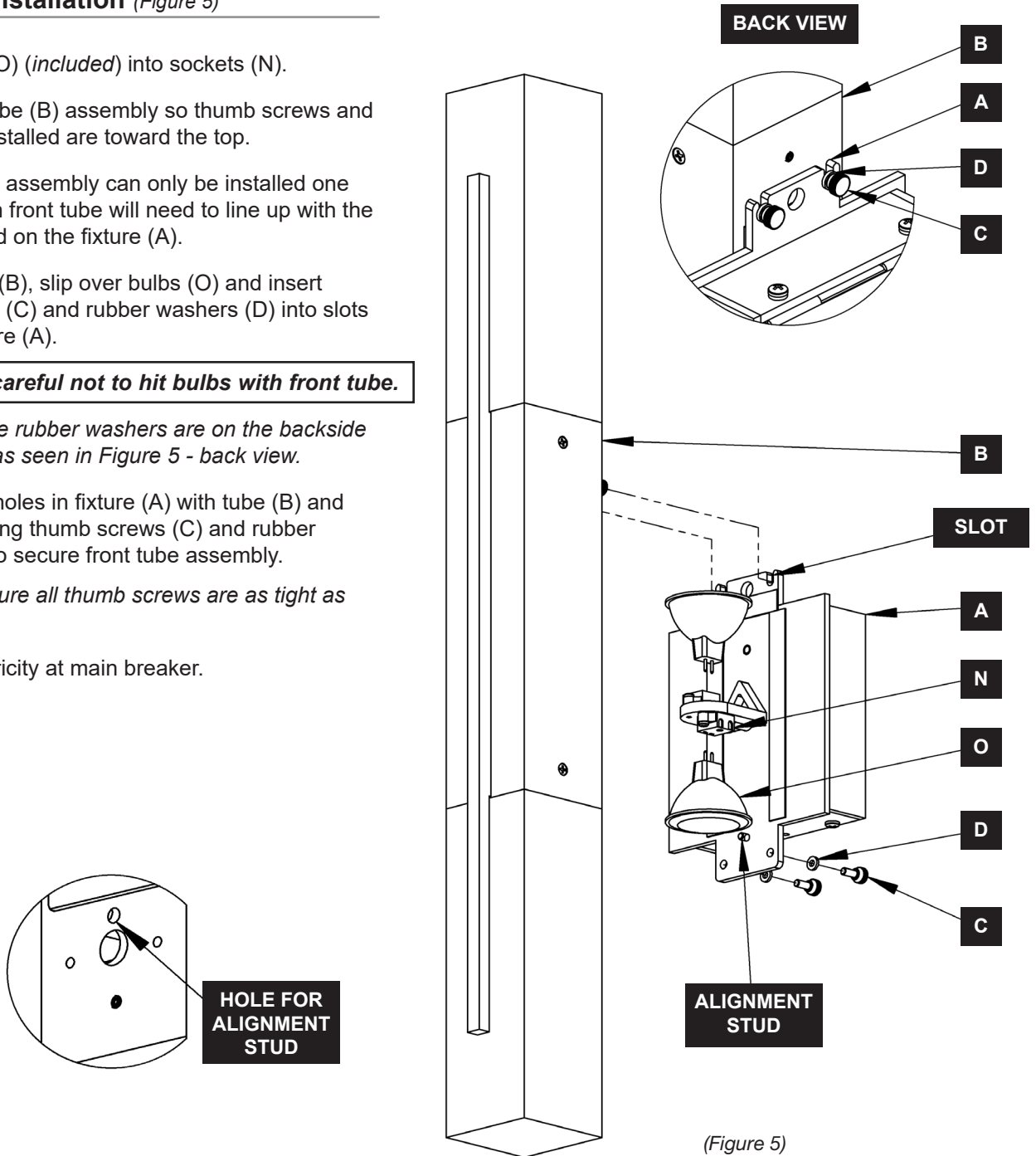
Caution: Be careful not to hit bulbs with front tube.

Note: Be sure rubber washers are on the backside of the fixture as seen in Figure 5 - back view.

5. Align bottom holes in fixture (A) with tube (B) and install remaining thumb screws (C) and rubber washers (D) to secure front tube assembly.

Note: Make sure all thumb screws are as tight as possible.

6. Restore electricity at main breaker.



(Figure 5)

If you need further assistance, or find that you are missing any parts, please contact the dealer from which you purchased this product. We hope you enjoy your fixture!

*** Hubbardton Forge will not be liable for injury or damage caused by improper installation, lamping or use of this fixture.**