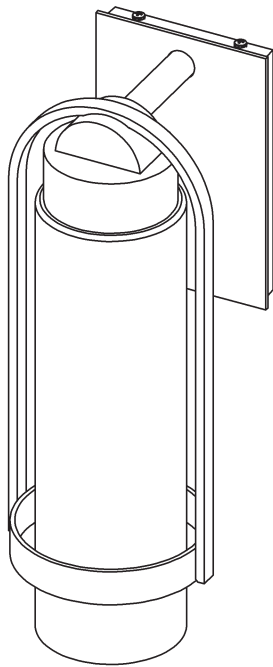


ASSEMBLY & INSTALLATION INSTRUCTIONS

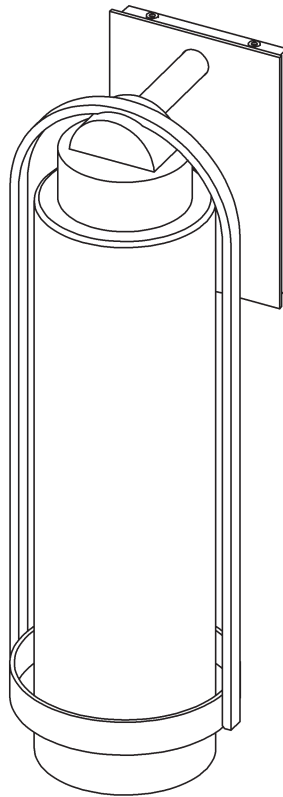
B509

Alcove Outdoor Sconce Small 302555, Medium 302556 & Large 302557

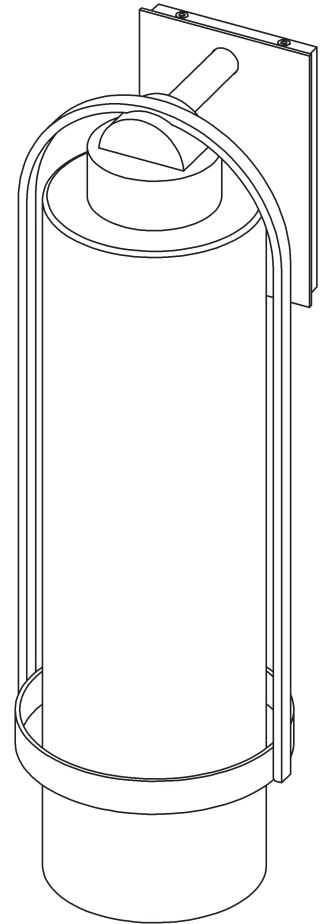


302555

Shown in Illustrations



302556



302557



HUBBARDTON FORGE.

Component Parts

- A Fixture**
- B Mounting Bracket**
- C Ground Screw**
- D Cupped Washer**
- E Caulking Lip**
- F #8 Screws (4)**
- G Rubber Washer (2)**
- H Socket**
- I Glass**
- J Retaining Ring Cover**
- K Bulb (not included)**



ASSEMBLY & INSTALLATION INSTRUCTIONS

B509

Alcove Outdoor Sconce Small 302555, Medium 302556 & Large 302557

CAUTION: FAILURE TO INSTALL THIS FIXTURE PROPERLY MAY RESULT IN SERIOUS PERSONAL INJURY OR DEATH AND PROPERTY DAMAGE. We recommend installation by a licensed electrician. This product must be installed in accordance with applicable installation code(s), by a person familiar with the construction and operation of the product and the hazards involved.*

Caution: Do not exceed maximum wattage noted on fixture. Use only recommended bulbs with fixture.

Please Note: After installation extra hardware and accessories are possible; our kits are used on multiple products.

To Install Fixture (Figures 1 & 2 - on next page)

CAUTION: BE SURE POWER IS OFF AT THE MAIN BREAKER BOX PRIOR TO INSTALLATION.

1. Carefully unpack the fixture (A) from the carton.
2. Remove mounting bracket (B) from fixture (A).
3. Thread the wires in the electrical box through the hole in the mounting bracket (B) while moving the bracket into position. Using (2) #8 machine screws (not provided), attach the bracket securely to the junction box.

NOTE: A NEW ELECTRIC BOX COMES WITH SCREWS. WHEN REPLACING A FIXTURE, RETAIN THE EXISTING SCREWS FOR USE WITH THE NEW FIXTURE.

4. Attach a pigtail lead to the mounting bracket (B) using the ground screw (C) and cupped washer (D) found in kit bag.
5. Hold fixture (A) close to wall. Using suitable wire connectors (not provided), connect fixture wires to supply wires (one fixture wire to the negative supply wire and one fixture wire to the positive supply wire). Connect all ground wires (bare copper or green to bare copper or green).

CAUTION: MAKE SURE WIRE CONNECTORS ARE TWISTED ON SECURELY, AND NO BARE WIRE IS EXPOSED.

6. Apply a generous bead of a suitable caulking material (not provided) to caulking lip (E) on the fixture (Figure 2).
7. Place fixture (A) over mounting bracket (B). Secure with #8 screw (F) and rubber washer (G) on top and #8 screw (F) in bottom of fixture.

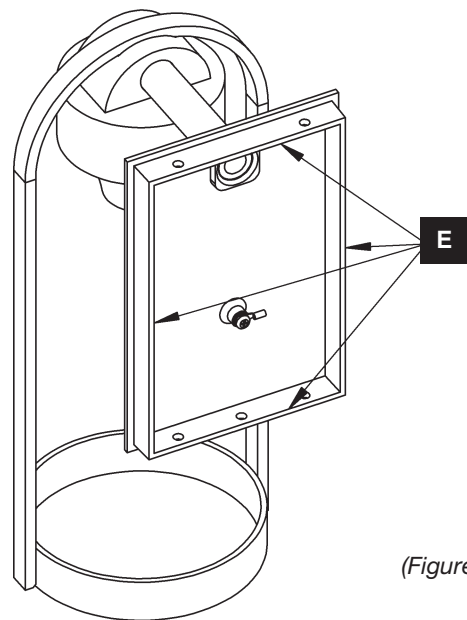
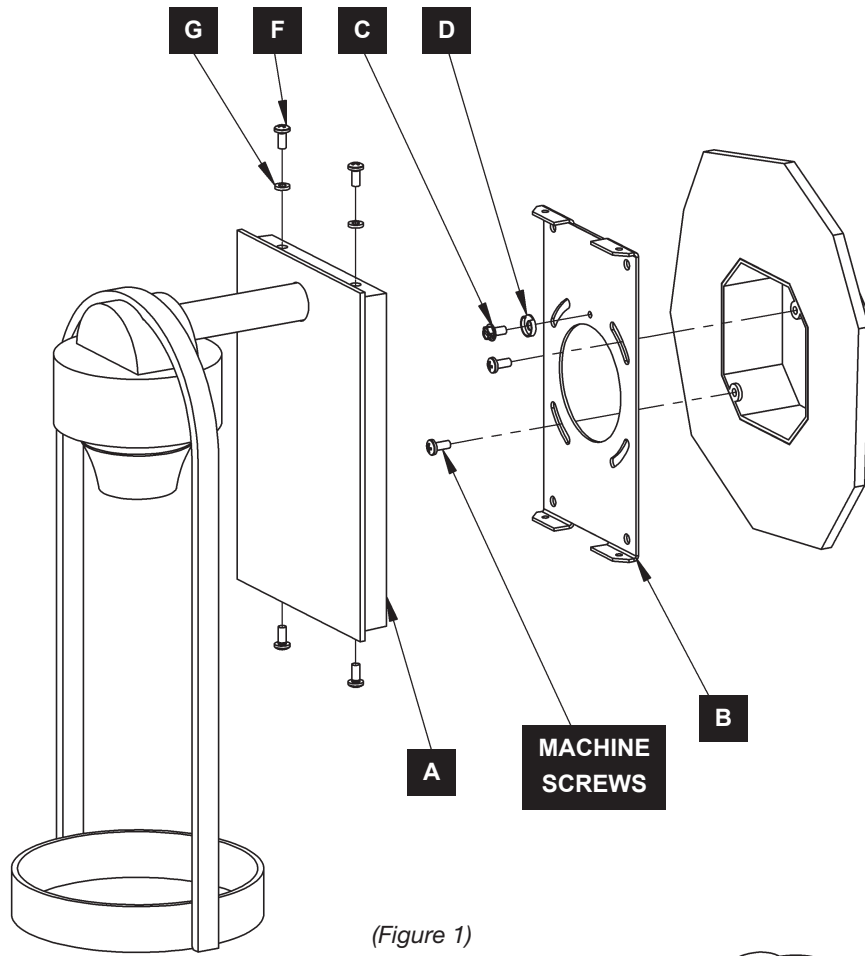
CAUTION: BE SURE NO WIRES ARE PINCHED BETWEEN THE WALL AND FIXTURE.

8. Follow steps on remaining pages to complete installation.

ASSEMBLY & INSTALLATION INSTRUCTIONS

B509

Alcove Outdoor Sconce Small 302555, Medium 302556 & Large 302557

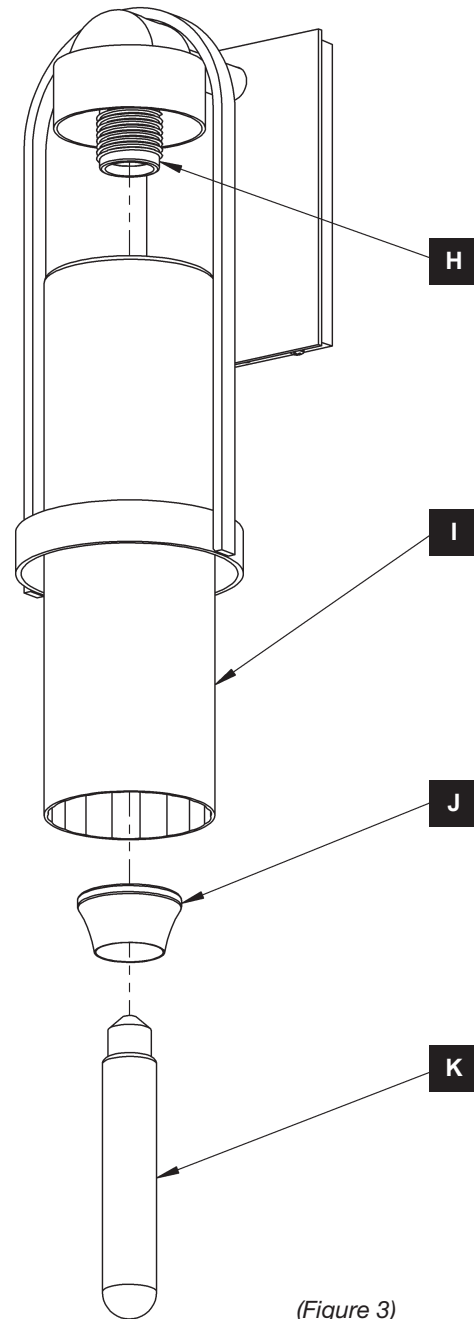


To Install Glass *(Figure 3)*

1. Retaining ring cover (J) is shipped installed. Remove and retain for next steps.
2. Carefully unpack glass (I), slide over socket (H) and secure with retaining ring cover (J).

NOTE: Be sure not to over tighten as this could break the glass.

3. Install bulb (K), not included, into socket (H).
4. Restore electricity at the main breaker



(Figure 3)

If you need further assistance, or find that you are missing any parts, please contact the dealer from which you purchased this product. We hope you enjoy your fixture!

**** Hubbardton Forge will not be liable for injury or damage caused by improper installation, lamping or use of this fixture.***