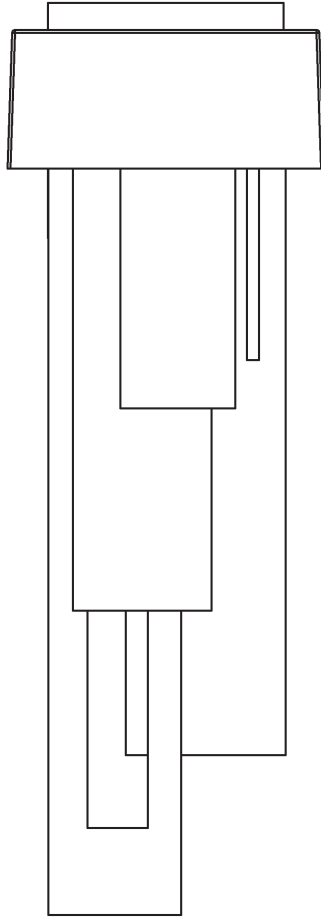


# ASSEMBLY & INSTALLATION INSTRUCTIONS

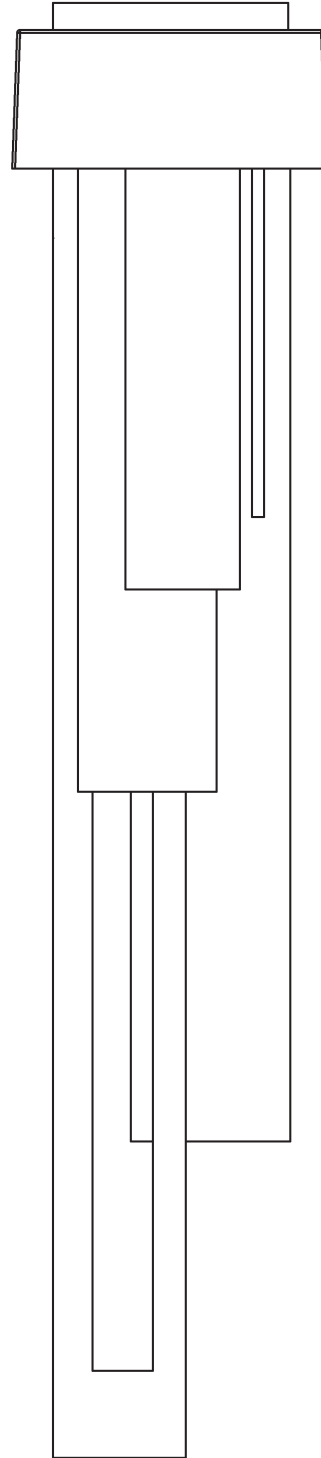
Rainfall Sconce Left 302531L & 302533L

B386

## 302531L



## 302533L



HUBBARDTON FORGE.

MODERN AMERICAN BLACKSMITHS | FINE, HAND CRAFTED LIGHTING  
CASTLETON, VERMONT USA | HUBBARDTONFORGE.COM

# ASSEMBLY & INSTALLATION INSTRUCTIONS

Rainfall Sconce Left 302531L & 302533L

---

**B386**

## Component Parts

- A     Fixture**
- B     Mounting Bracket**
- C     Ground Screw**
- D     Cupped Washer**
- E     #8 Screw (8)**
- F     Decorative Assembly**
- G     Rubber Washer (2)**
- H     Large Glass**
- I     Small Glass**
- J     Short Assembly**
- K     Long Assembly**
- L     Nut (2)**



# ASSEMBLY & INSTALLATION INSTRUCTIONS

B386

Rainfall Sconce Left 302531L & 302533L

**CAUTION: FAILURE TO INSTALL THIS FIXTURE PROPERLY MAY RESULT IN SERIOUS PERSONAL INJURY OR DEATH AND PROPERTY DAMAGE.** We recommend installation by a licensed electrician. This product must be installed in accordance with applicable installation code(s), by a person familiar with the construction and operation of the product and the hazards involved.\*

**Caution:** Do not exceed maximum wattage noted on fixture. Use only recommended bulbs with fixture.

Please Note: After installation extra hardware and accessories are possible; our kits are used on multiple products.

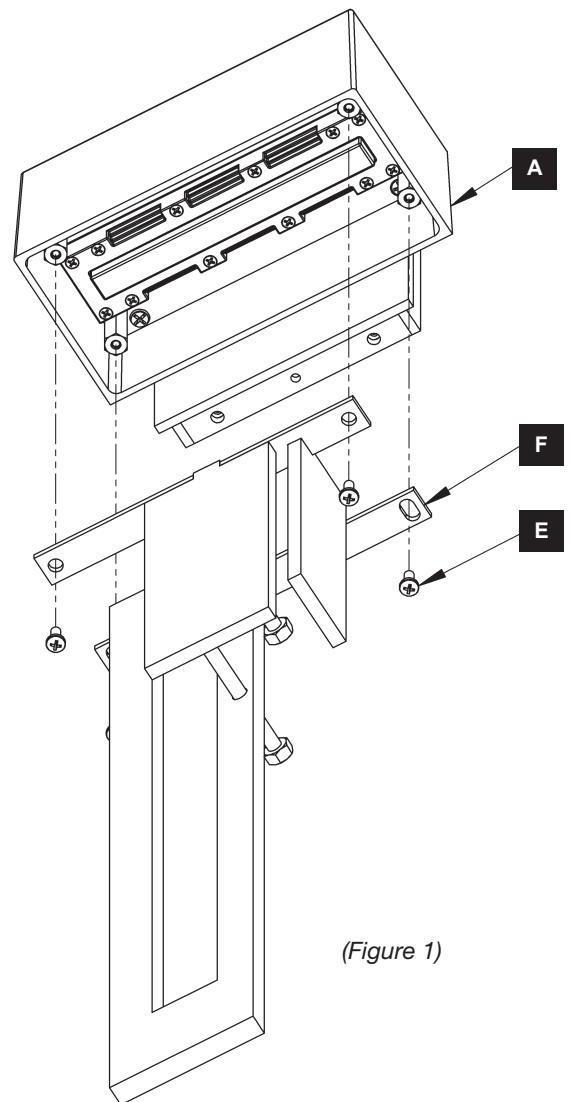
## To Mount Fixture to Wall (Figure 1)

**CAUTION: BE SURE POWER IS OFF AT THE MAIN BREAKER BOX PRIOR TO INSTALLATION.**

1. Carefully unpack the fixture (A) from the carton (Figure 1).
2. Remove the decorative assembly (F) from the fixture (A) by removing the four #8 screws (E).
3. Using two machine screws (not provided) attach mounting bracket (B) to the electrical box (Figure 2).  
*Note: A new electric box comes with screws. When replacing a fixture, retain the existing screws for use with the new fixture.*
4. Using the green ground screw (C) and the cupped washer (D) found in the kit bag, secure a pigtail lead to the mounting bracket (B). Hold the fixture (A) close to the mounting bracket and using suitable wire connectors (not provided), connect fixture wires to supply wire (white to white and black to black). Connect all ground wires (bare copper or green to bare copper or green).

**CAUTION: MAKE SURE WIRE CONNECTORS ARE TWISTED ON SECURELY, AND NO BARE WIRES ARE EXPOSED.**

5. Apply a generous bead of a suitable caulking material (not provided) to caulking lip on the fixture. Caulk should be applied around the entire perimeter of the back. See Figure 3
6. Carefully tuck all wires behind fixture (A) and inside the mounting bracket (B). Place fixture firmly onto bracket and fasten with two #8 screws (E) and rubber washers (G) on top.
7. Install the two remaining #8 screws (E) in bottom of fixture.

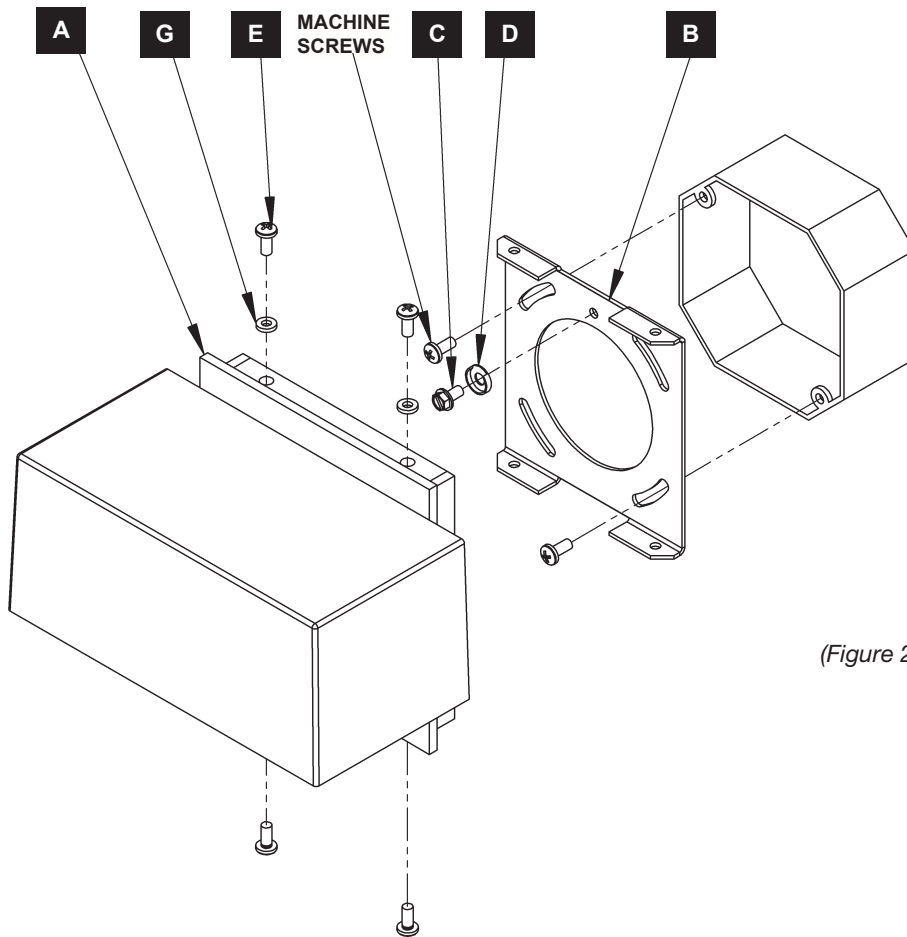


(Figure 1)

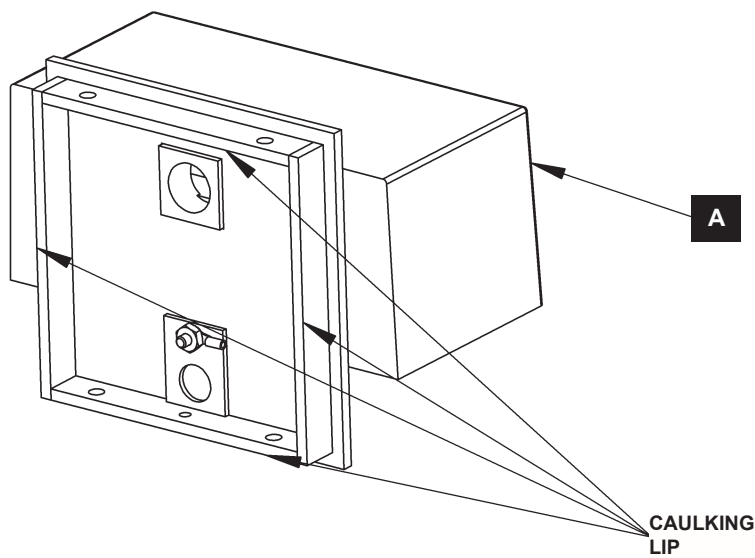
# ASSEMBLY & INSTALLATION INSTRUCTIONS

**B386**

Rainfall Sconce Left 302531L & 302533L



(Figure 2)



(Figure 3)

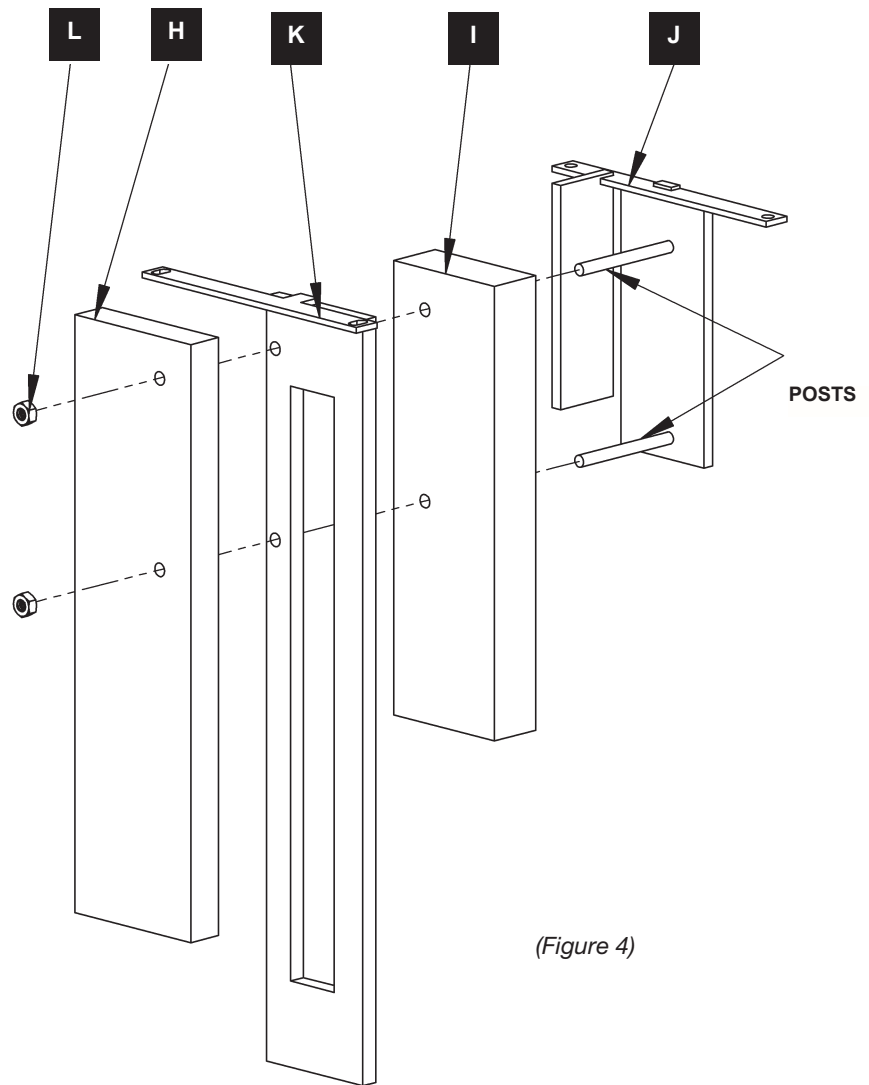


HUBBARDTON FORGE.

MODERN AMERICAN BLACKSMITHS | FINE, HAND CRAFTED LIGHTING  
CASTLETON, VERMONT USA | HUBBARDTONFORGE.COM

## To Install Glass (Figure 4)

1. Locate the decorative assembly (F) and screws (E) that were removed in the step 2 of 'To Mount Fixture to Wall' instruction on page 1.
2. Remove the nuts (L) that hold the short assembly (J) and long assembly (K) together.
3. Separate the short assembly (J) from the long assembly (K).
4. Lay the short assembly (J) on a flat surface so the posts are pointing up.
5. Slide the small glass (I) over the posts.
6. Slide the long assembly (K) over the posts next.
7. Slide the large glass (H) onto the posts.
8. Secure in place by screwing on two nuts (J). Be sure not to overtighten.
9. Re-install the decorative assembly onto the fixture using the #8 screws (E). Refer to Figure 1.
10. Restore electricity at main breaker.



(Figure 4)

If you need further assistance, or find that you are missing any parts, please contact the dealer from which you purchased this product. We hope you enjoy your fixture!

**\* Hubbardton Forge will not be liable for injury or damage caused by improper installation, lamping or use of this fixture.**